

Product data sheet

Subminiature connectors

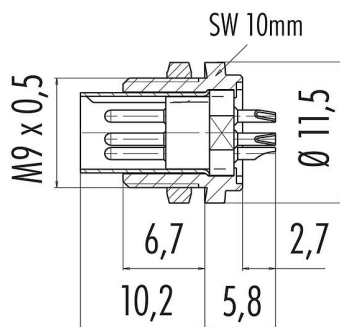


Product description	M9 IP40 male panel mount connector, Contacts: 7, unshielded, solder, IP40
Area	M9 IP40 series 711
Part no.	09 0477 00 07

Illustration

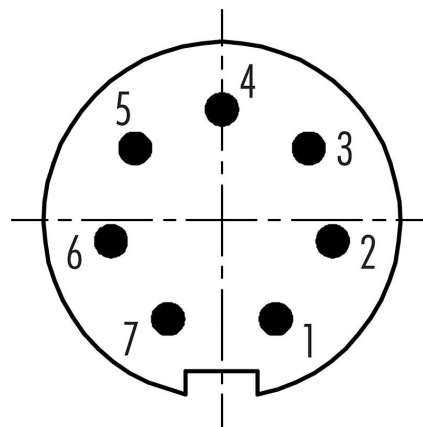


Scale drawing



max. wall thickness: 1,5 mm

Contact arrangement (Plug-in side)



You can find the assembly instructions on the next page.

Technical data

General features

Part no.	09 0477 00 07
Connector design	male panel mount connector
Version	connector male straight
Connector locking system	screw
Termination	solder
Degree of protection	IP40
Cross-sectional area	0.14 mm ² / AWG 26
Temperature range from/to	-40 °C / 85 °C
Mechanical operation	> 500 Mating cycles
Weight (g)	3.69
Customs tariff number	85369010

Electrical parameters

Rated voltage	125 V
Rated impulse voltage	1500 V
Rated current (40 °C)	1 A
Insulation resistance	≥ 10 ¹⁰ Ω
Pollution degree	1
Overvoltage category	II
Insulating material group	III

Product data sheet

Subminiature connectors



Product description **M9 IP40 male panel mount connector, Contacts: 7, unshielded, solder, IP40**

Area **M9 IP40 series 711**
Part no. **09 0477 00 07**

EMC compliance unshielded

Material

Contact body material	PA (UL94 V-0)
Contact material	CuZn (brass)
Contact plating	Au (gold)
REACH SVHC	CAS 7439-92-1 (Lead)
SCIP number	7c9bb3a5-3f82-43ec-9e8d-510bac94af82

Classifications

eCl@ss 11.1	27-44-01-09
ETIM 7.0	EC003569

Product data sheet
Subminiature connectors



Product description	M9 IP40 male panel mount connector, Contacts: 7, unshielded, solder, IP40
Area	M9 IP40 series 711
Part no.	09 0477 00 07

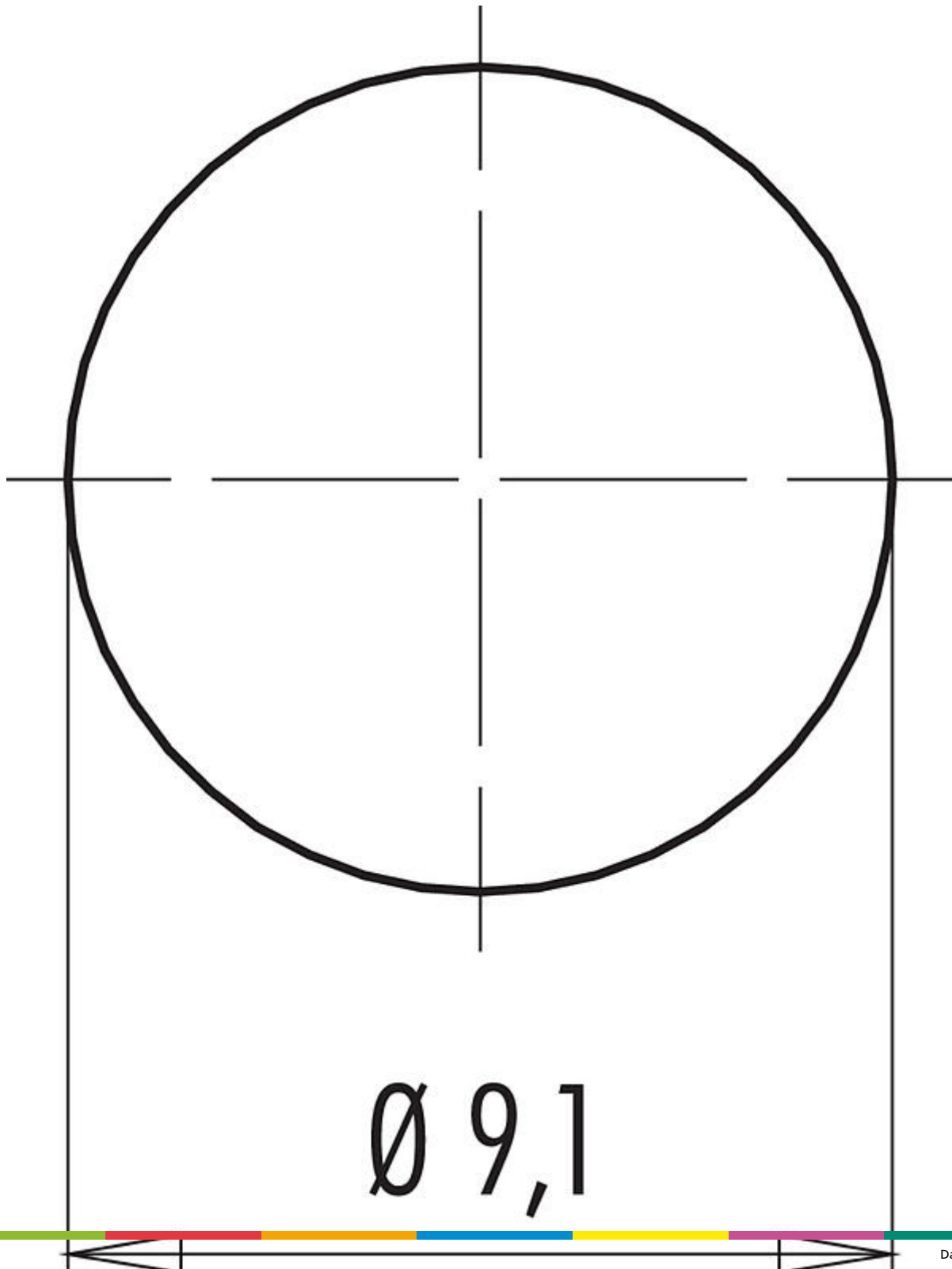
Product data sheet
Subminiature connectors



Product description	M9 IP40 male panel mount connector, Contacts: 7, unshielded, solder, IP40
Area	M9 IP40 series 711
Part no.	09 0477 00 07

Product description	M9 IP40 male panel mount connector, Contacts: 7, unshielded, solder, IP40
Area	M9 IP40 series 711
Part no.	09 0477 00 07

Assembly instructions / Panel cut-out



Product data sheet

Subminiature connectors



Product description	M9 IP40 male panel mount connector, Contacts: 7, unshielded, solder, IP40
Area	M9 IP40 series 711
Part no.	09 0477 00 07

General Disclaim Notice

The connector must not be plugged or unplugged under load. Non-observance and improper use can result in personal injury.

The connectors have been developed for applications in plant engineering, control and electrical equipment construction. The user is responsible for checking whether the connectors can also be used in other areas of application.