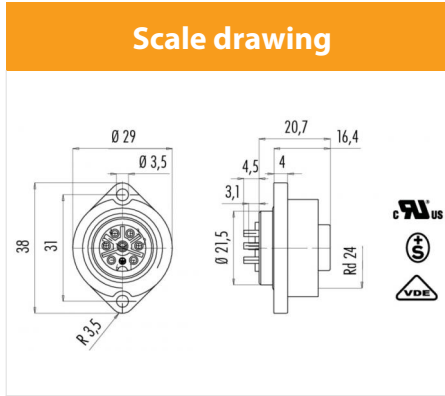


Product **Contacts: 6+PE, female panel mount connector, PG 9, with VDE, ETS, UL approval, solder**

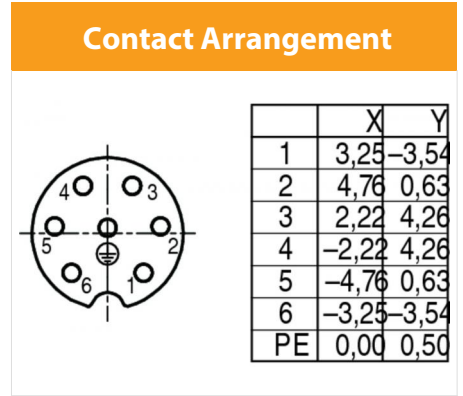
Area **RD24 Power Series 692/693**
 Article number **09 4228 00 07**



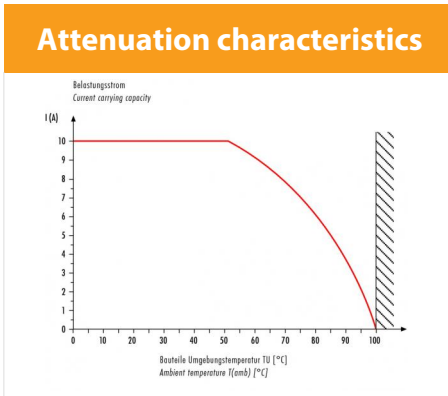
Illustration



Scale drawing



Contact Arrangement



You can find the assembly instruction on the next page.

Technical data

General features

Connector Design	female panel mount connector
Connector locking system	bolted
Termination	solder
Wire gauge (mm)	0,75 mm ²
Wire gauge (AWG)	20
Cable outlet	-
Upper temperature	100 °C
Lower temperature	-40 °C

Electrical parameters

Rated voltage	250 V
Rated impulse voltage	4000 V
Pollution degree	3
Overvoltage category	III
Material group	III
Rated current (40°C)	10 A (8 A UL)
Volume resistivity	≤ 5 mΩ
EMV compliance	not shielded
Degree of protection	IP67
Mechanical operation	> 500 Mating cycles

Cable data

Approval 1	UL
Approval 2	ESTI+
Approval 3	VDE

Material

Material of contact	CuSn (Bronze)
Contact plating	Ag (silver)
Material of contact body	PBT

Product Contacts: 6+PE, female panel mount connector, PG 9, with VDE, ETS, UL approval, solder

Area RD24 Power Series 692/693
Article number 09 4228 00 07

Installation instructions / Mounting cutout

