

Han TC70 Buchsenkontakt 25sqmm

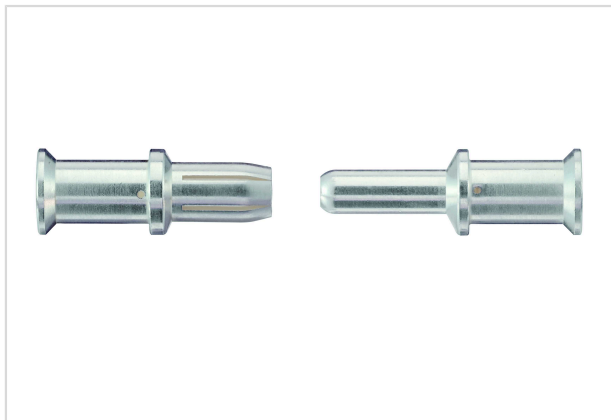


Image is for illustration purposes only. Please refer to product description.

Part number	09 11 000 6233
Specification	Han TC70 Buchsenkontakt 25sqmm
HARTING eCatalogue	https://b2b.harting.com/09110006233

Identification

Category	Contacts
Series	TC 70
Type of contact	Crimp contact

Version

Gender	Female
Manufacturing process	Turned contacts

Technical characteristics

Conductor cross-section	25 mm ²
Operating current	≤70 A
Contact resistance	≤0.5 mΩ
Limiting temperature	-40 ... +125 °C
Stripping length	15.5 mm
Mating cycles	≥500

Material properties

Material (contacts)	Copper alloy
Surface (contacts)	Silver plated
RoHS	compliant with exemption
RoHS exemptions	6(c): Copper alloy containing up to 4 % lead by weight
ELV status	compliant with exemption
China RoHS	50



Pushing Performance

Material properties

REACH Annex XVII substances	No
REACH ANNEX XIV substances	No
REACH SVHC substances	Yes
REACH SVHC substances	Lead

Specifications and approvals

Specifications	EN 60664-1 IEC 61984
----------------	-------------------------

Commercial data

Packaging size	10
Net weight	9.38 g
Country of origin	Germany
European customs tariff number	85366990
eCl@ss	27440204 Contact for industrial connectors