

Hinged frame HMC 24B f. 6 modules (A..F)

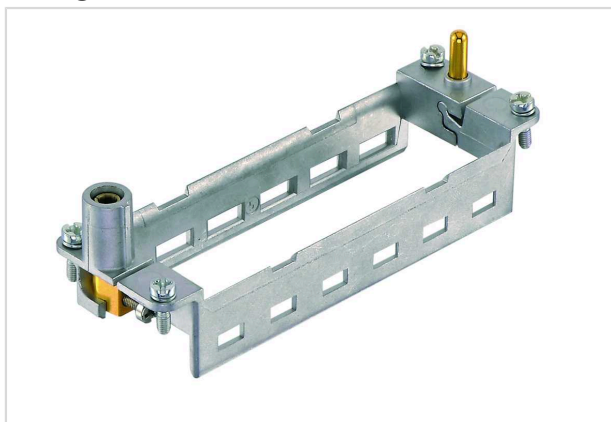


Image is for illustration purposes only. Please refer to product description.

| | |
|--------------------|---|
| Part number | 09 14 224 0303 |
| Specification | Hinged frame HMC 24B f. 6 modules (A..F) |
| HARTING eCatalogue | https://b2b.harting.com/09142240303 |

Identification

| | |
|------------------------------|---|
| Category | Accessories |
| Series | Han-Modular® |
| Type of accessory | Hinged frame |
| Description of the accessory | HMC version for 6 modules A ... F |

Version

| | |
|------|------|
| Size | 24 B |
|------|------|

Technical characteristics

| | |
|---|-----------------|
| Limiting temperature | -40 ... +125 °C |
| Mating cycles with other HMC components | ≥10,000 |

Material properties

| | |
|-----------------------------|--|
| Material | Zinc die-cast |
| RoHS | compliant with exemption |
| RoHS exemptions | 6(c): Copper alloy containing up to 4 % lead by weight |
| ELV status | compliant with exemption |
| China RoHS | 50 |
| REACH Annex XVII substances | No |
| REACH ANNEX XIV substances | No |
| REACH SVHC substances | Yes |



Pushing Performance

Material properties

| | |
|-----------------------|------|
| REACH SVHC substances | Lead |
|-----------------------|------|

Specifications and approvals

| | |
|----------------|-------------------------|
| Specifications | EN 60664-1 IEC 61984 |
| UL / CSA | UL 1977 ECBT2.E235076 |

Commercial data

| | |
|--------------------------------|---|
| Packaging size | 2 |
| Net weight | 74.62 g |
| Country of origin | Germany |
| European customs tariff number | 85389099 |
| eCl@ss | 27440206 Module carrier frame for industrial connectors |