

1 2 3 4 5 6

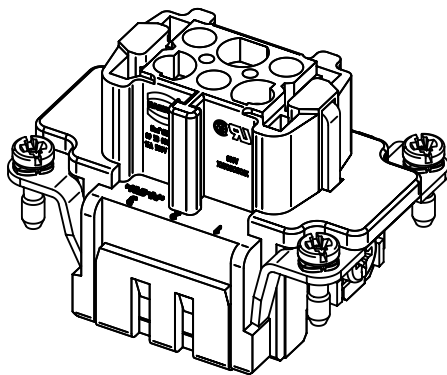
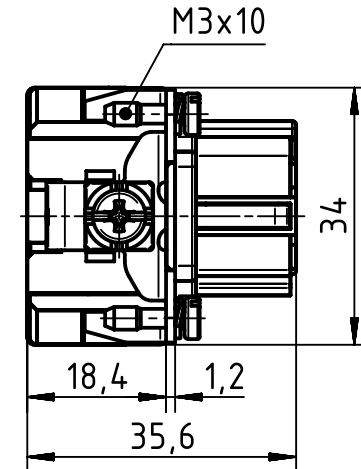
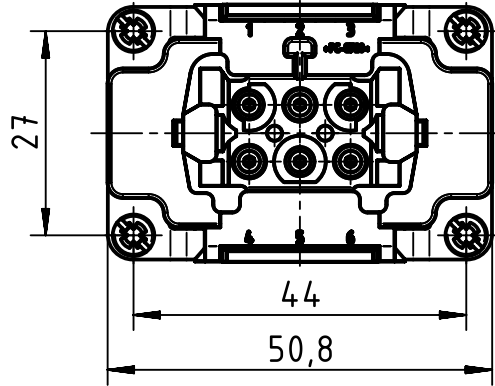
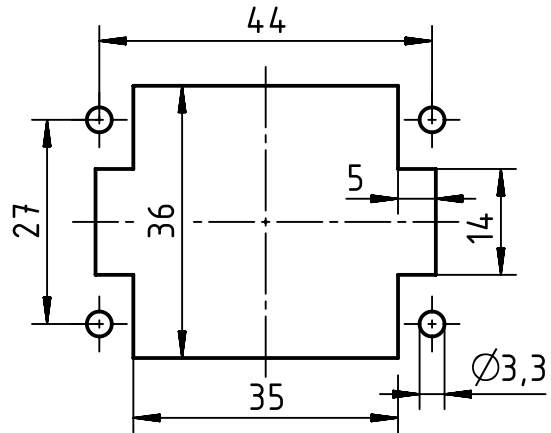
A



B

C

D

panel cut out



	All rights reserved Department EL PD - DE	Created by RULLKOETTER		Inspected by BERGHORN		Standardisation TIEMANNA		Date 2016-03-10		State Final Release	
		Title Han 6 ES-Female insert								Doc-Key / ECM-Nr. 100129977/UGD/005/A 500000093321	
HARTING Electric GmbH & Co. KG D-32339 Espelkamp		Type TB		Number 09 33 006 2716				Rev. A		Page 1/1	
 All Dimensions in mm Original Size DIN A4		Scale 1:1		Free size tol.				Ref. Sub. TB 09 33 006 2716 v. 16.03.00			