

CONTACT No.1, 2, 3 CONTACT No.6

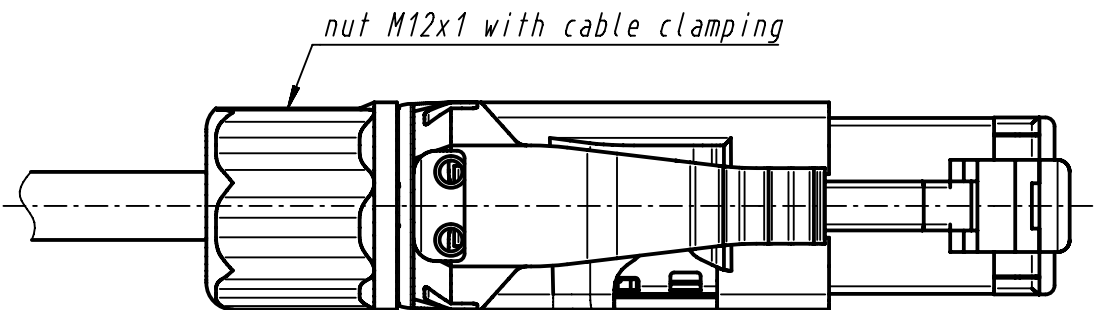
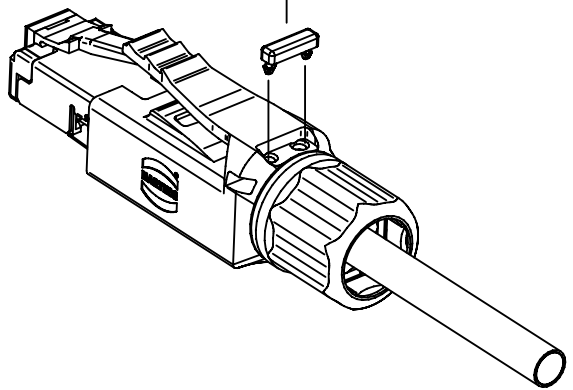
position — 1 8

cable ϕ 4,5 - 9mm

mating face acc. to IEC 60603-7

*on request: Colour-Clip with RFID slot
TB 09 45 850 00xx*

Colour-Clip



data contact plating: Au 1,27 μ m (50 μ in) over nickel

	All rights reserved Department EC PD - FR	All Dimensions in mm Original Size DIN A4		Scale 2:1	Free size tol.	Ref. Sub.	
		HARTING Electronics GmbH D-32339 Espelkamp	Created by DOUGE	Inspected by BAGDIKIAN	Standardisation HOFFMANN	Date 2013-11-20	State Final Release
		Title RJ45 PN plug Cat.5 IDC 4p RAIL				Doc-Key / ECM-Nr. 100557920/UGD/001/A 500000068637	
		Type TB	Number 09451511122			Rev. A	Page 1/1