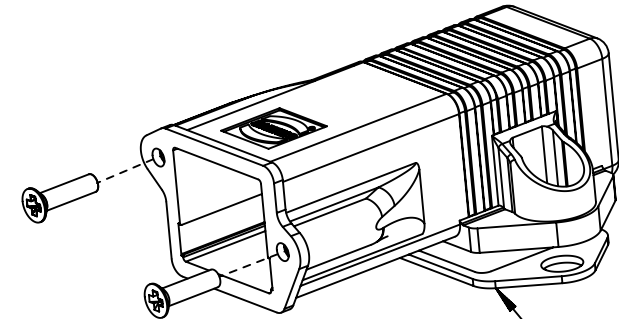
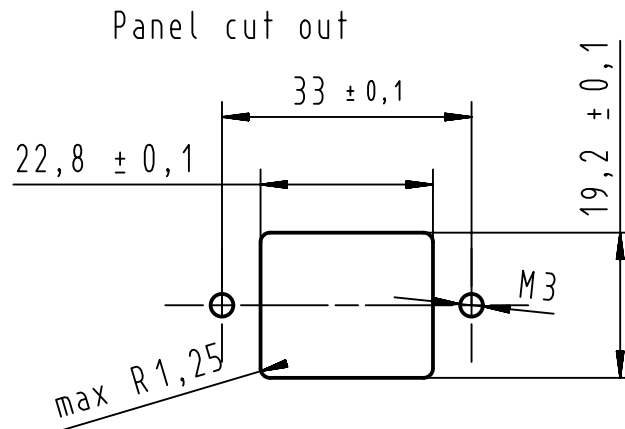
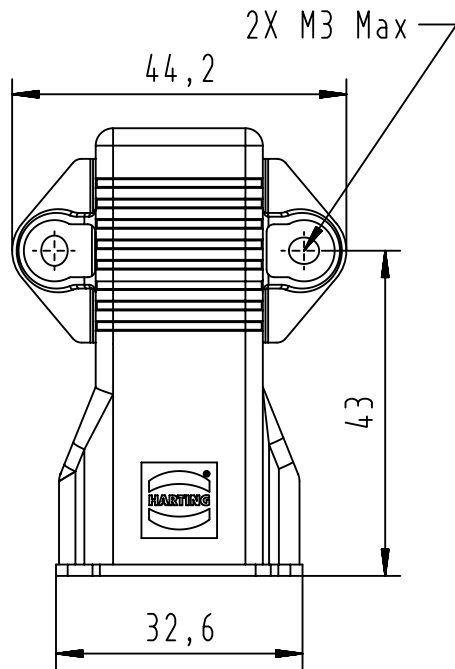
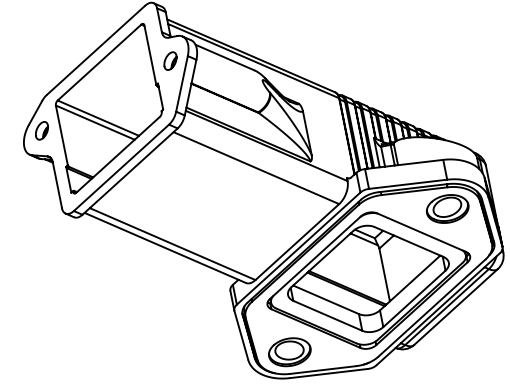
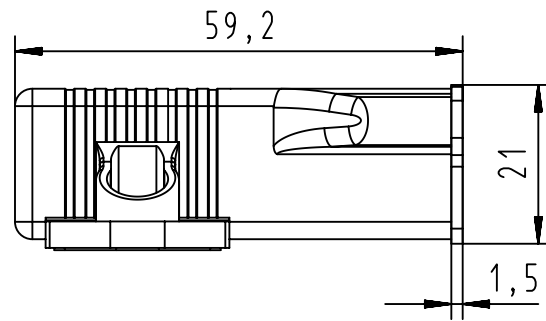
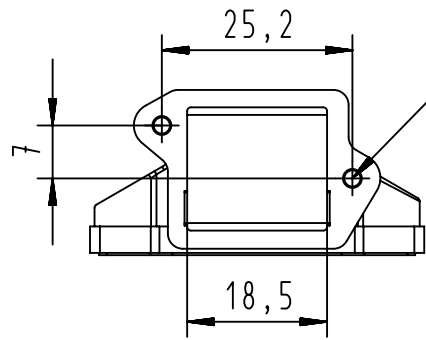



2X¹ 2,5x8mm self tapping screws²



Flat seal

Maximum panel flatness : 0,1

Torque of included 2 self tapping screws \varnothing 2,5X8mm: between 0,4 and 0,5Nm

	All Dimensions in mm Original Size DIN A4	Scale 1:1	Free size tol.			Ref. Sub.
	All rights reserved Department EC PD - FR	Created by MAILLARDS	Inspected by BHUTANI	Standardisation KOHLER	Date 2012-07-11	State Final Release
HARTING Electronics GmbH D-32339 Espelkamp		Title HPP V4 cable hood surface mounting			Doc-Key / ECM-Nr. 100228782/UGD/001/B 50000053088	
		Type TB	Number 09453450001			Rev. B Page 1/1