

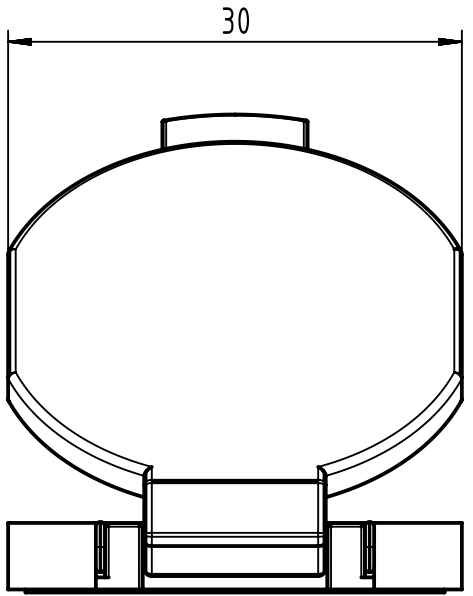
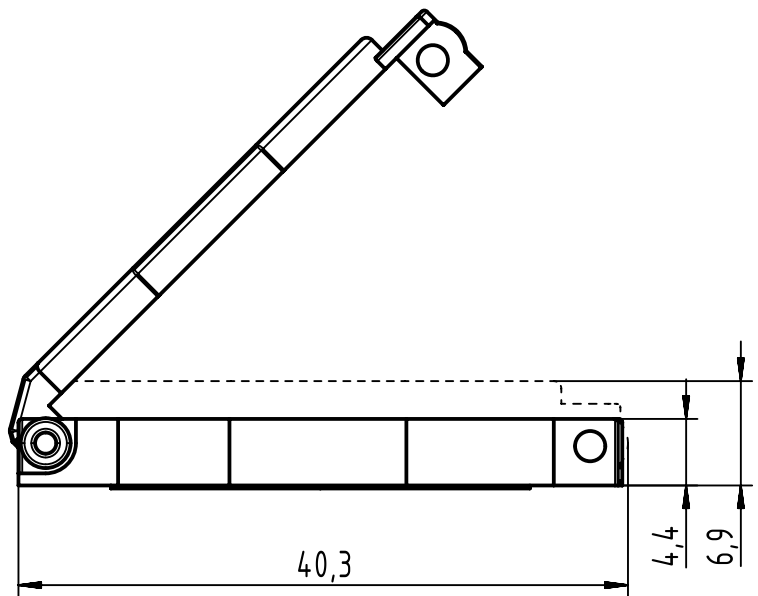
1 2 3 4 5 6

A

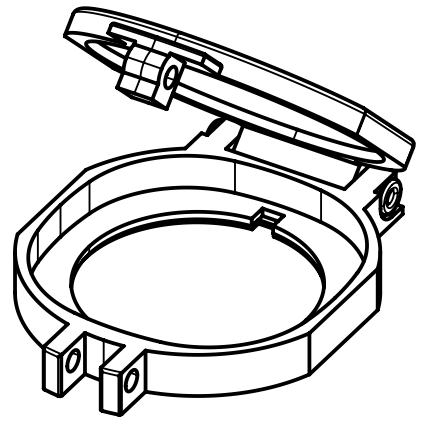
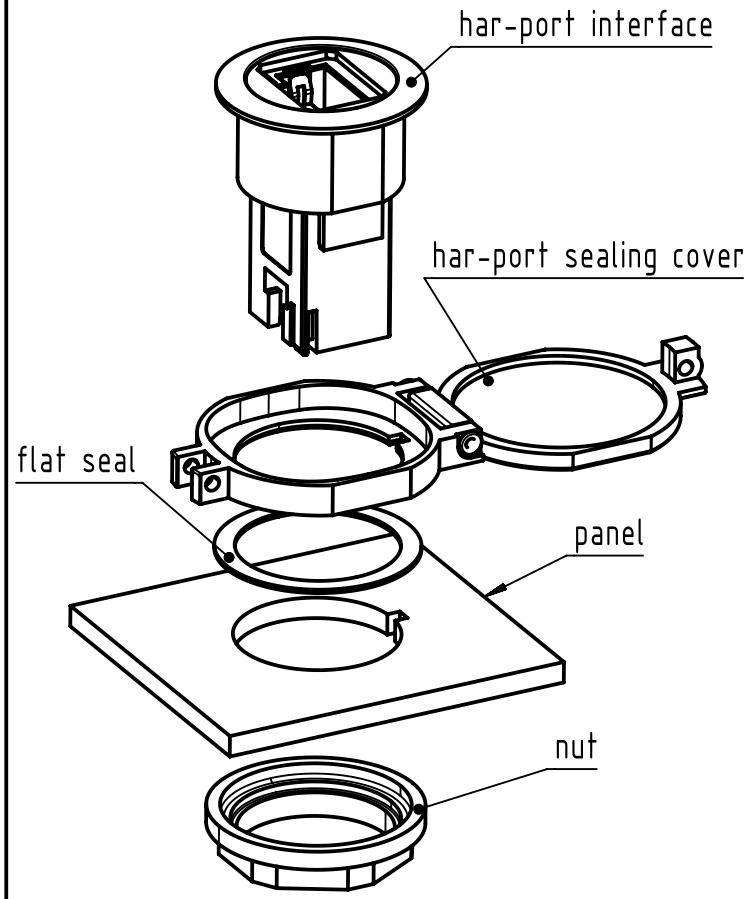
B

C

D



Assembly with har-port interfaces:



	All rights reserved Department EL PD	All Dimensions in mm Original Size DIN A4		Scale 2:1	Free size tol.	Ref. Sub.
		HARTING Electronics GmbH D-32339 Espelkamp	Created by BALSAN	Inspected by PRIESTER	Standardisation KOHLER	Date 2019-06-04
Title har-port sealing cover						Doc-Key / ECM-Nr. 100205288/UGD/001/B 500000109717
Type TB				Number 09455020001		Rev. B
						Page 1/1