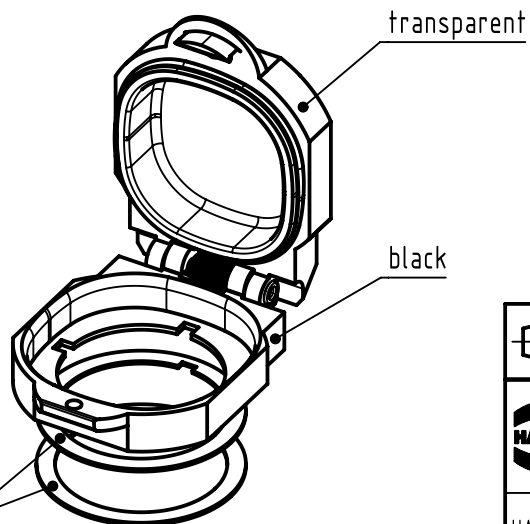
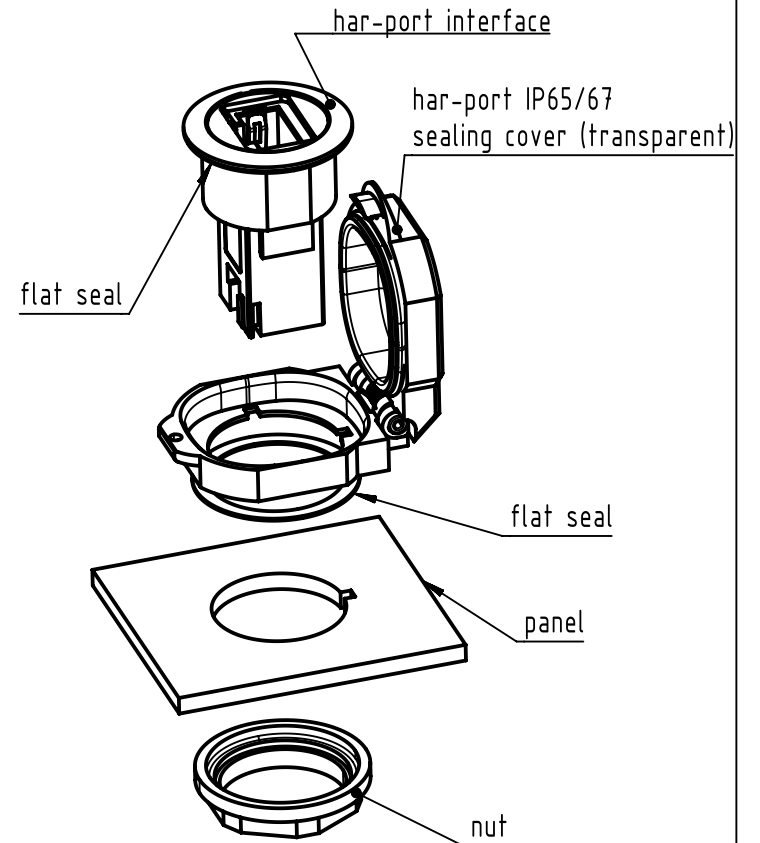
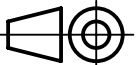



Assembly with har-port interfaces:



	All Dimensions in mm Original Size DIN A4		Scale 1:1	Free size tol.	Ref. Sub. TB 09455020005 / 500000054359 / 2012-11-07	
		All rights reserved	Created by BALSAN	Inspected by PRIESTER	Standardisation KÖHLER	Date 2019-06-04
Department EL PD		Title har-port sealing cover transparent			Doc-Key / ECM-Nr. 100510108/UGD/001/C 500000109717	
HARTING Electronics GmbH D-32339 Espelkamp		Type TB	Number 09455020005		Rev. C	Page 1/1