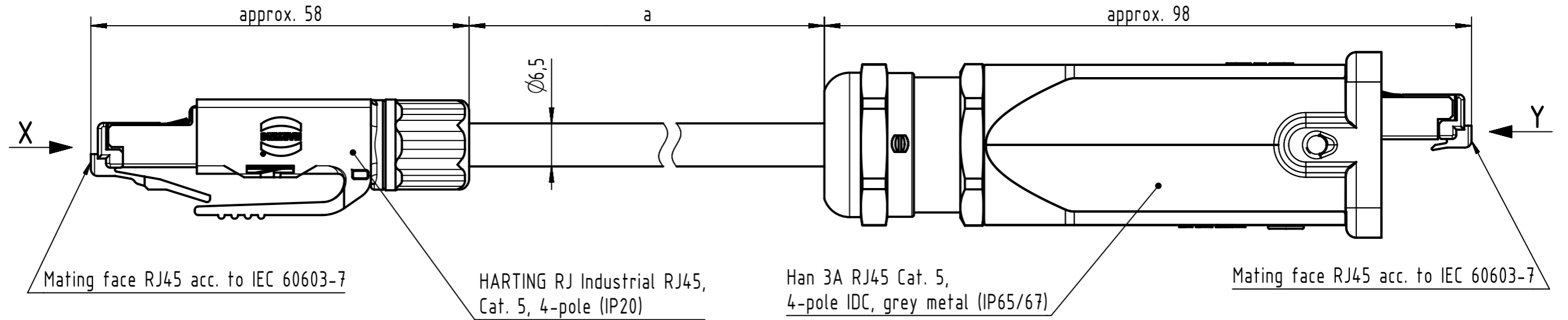


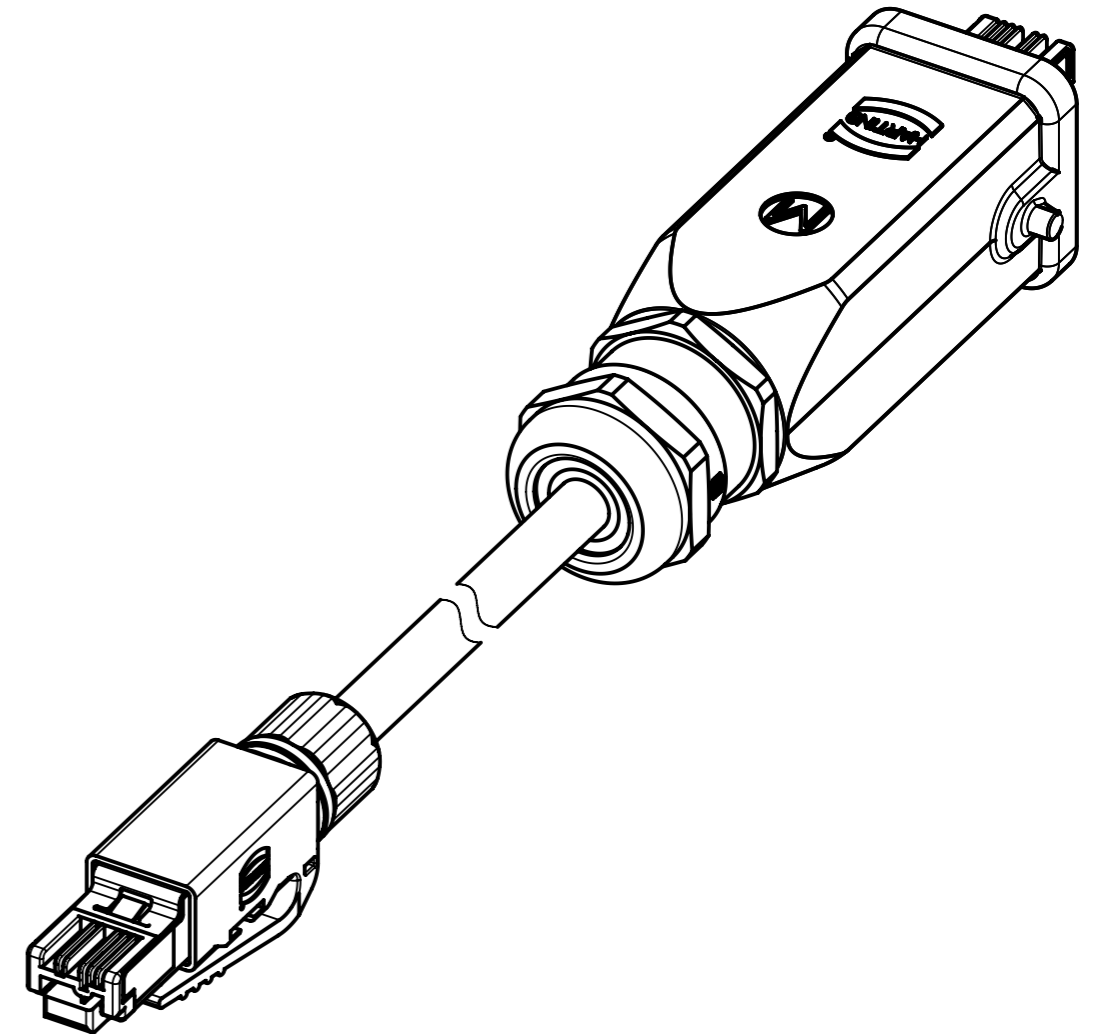
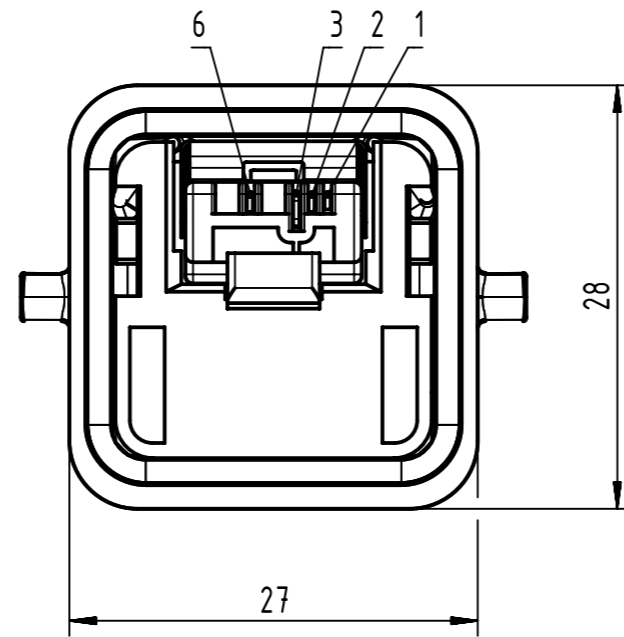
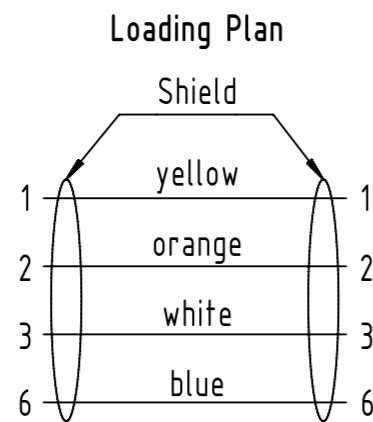
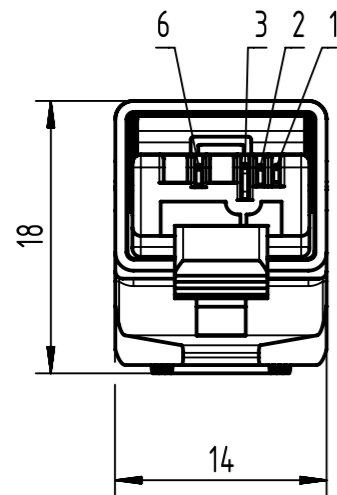
Connector Location A

Connector Location B



X  
male


Y  
male



- Temperature range: -40°C ... +70°C

	All rights reserved Department HCS - RO	Created by STOCHECIC Stochei	Inspected by COSTEA Costea	Standardisation MUNTEANV Muntean	Date 2019-10-30	State Final Release
	HARTING Customised Solutions D-32339 Espelkamp	Title RJ Industrial Cable Assembly		Doc-Key / ECM-Nr. 100155468/UGD/006/E 500000159777		Rev. E Page 1/2
All Dimensions in mm		Tech. Character.		Free size tol.		According to production drawing
		Type TB	Number 0945700XXXX			

Cont. no.	Part no.	Type of cable	Dim. a[m]
	47	RJI Ethernet Stranded Cable, 4xAWG 22/7, PVC, Cat. 5+, green	100
	46		90
	45		80
	44		70
	43		60
	42		53
	41		50
	40		40
	39		33
	38		30
	37		20
	36		15
	35		10
	34		9
	33		8
	32		7.5
	31		7
	30		6
	29		5
	28		4
	27		3
	26		2
	25		1.5
	24	1	
	23	0.5	
	22	RJI Ethernet Standard Cable, 4xAWG 22/1, PVC, Cat. 5+, green	100
	21		90
	20		80
	19		70
	18		60
	17		50
	16		40
	15		30
	14		20
	13		15
	12		10
	11		9
	10		8
	9		7
	8	6	
	7	5	
	6	4	
	5	3	
	4	2	
	3	1.5	
	2	1	
	1	0.5	
Cont. no.	Part no.	Type of cable	Dim. a[m]
	70	RJI Ethernet Trailing Cable, 4xAWG 22/7, PUR, Cat. 5+, green	100
	69		90
	68		80
	67		70
	66		60
	65		50
	64		40
	63		30
	62		20
	61		15
	60		12
	59		10
	58		9
	57		8
	56	7	
	55	6	
	54	5	
	53	4	
	52	3	
	51	2	
	50	1.5	
	49	1	
	48	0.5	
Cont. no.	Part no.	Type of cable	Dim. a[m]



HARTING Customised Solutions  
D-32339 Espelkamp

All rights reserved  
Department HCS - RO

Created by STOCHECIC Stocheci

Inspected by COSTEA Costea

Standardisation MUNTEANV Muntean

Date 2019-10-30


State Final Release

Title **RJ Industrial Cable Assembly**

Type **TB** Number **0945700XXXX**

Doc-Key / ECM-Nr.  
100155468/UGD/006/E  
500000159777

Rev. **E** Page **2/2**



All Dimensions in mm

Tech. Character.    Free size tol.    According to production drawing