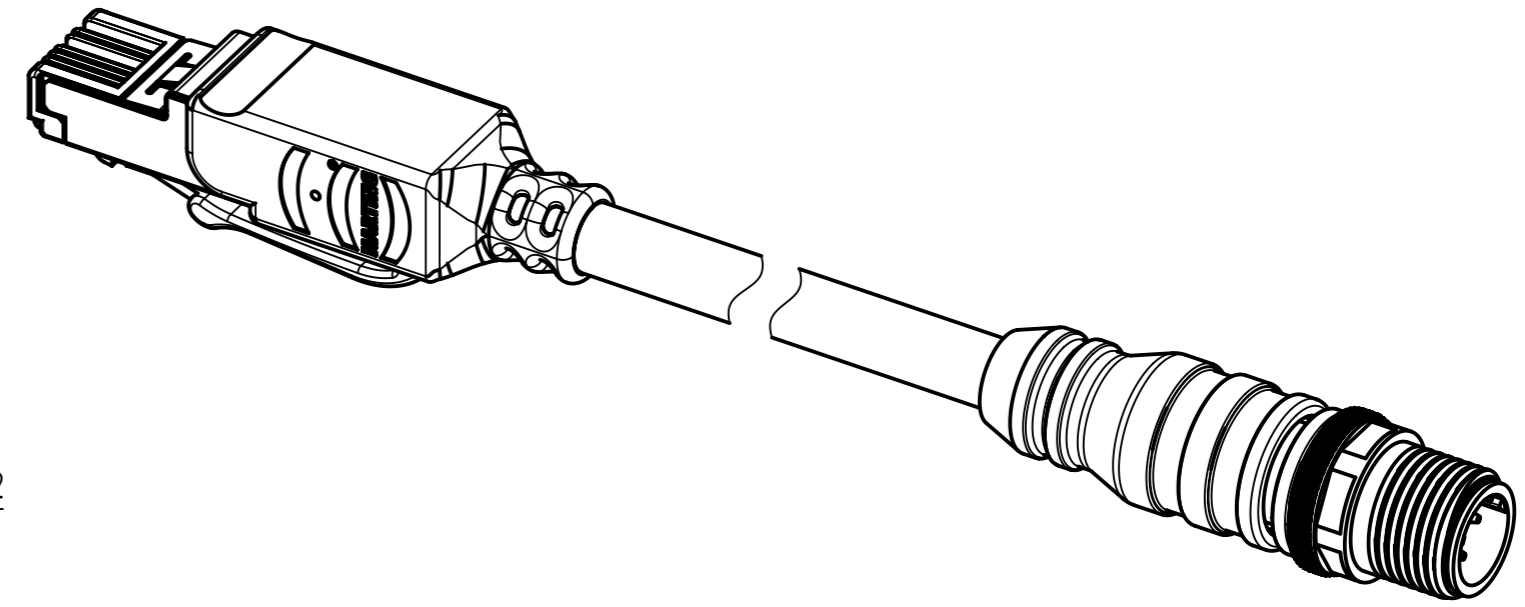
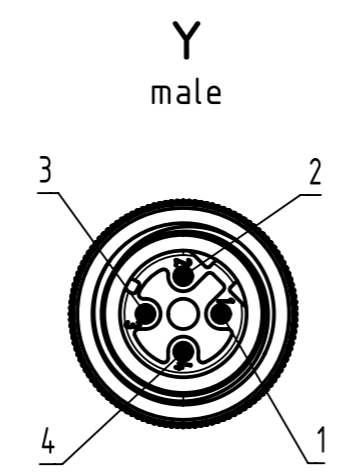
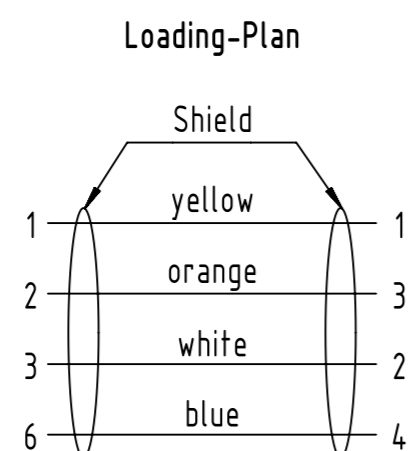
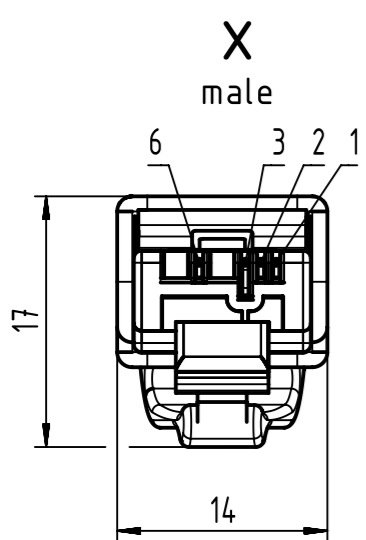
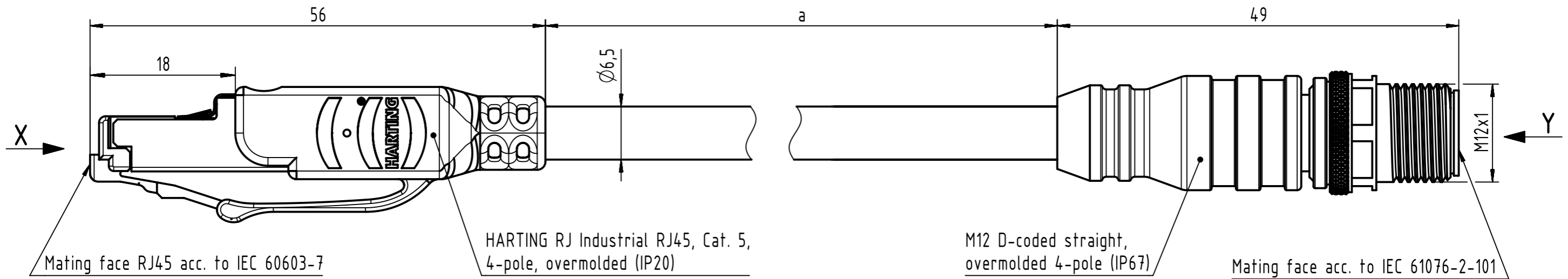


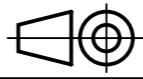

Connector Location A

Connector Location B




- Temperature range: -30°C ... +70°C

	All rights reserved		Created by MUNTEANV		Inspected by MUNTEANV		Standardisation MUNTEANV		Date 2018-09-10		State Final Release	
	Department HCS - RO		Title M12 D-coded Cable Assembly		Type TB		Number 09457005XXX		Doc-Key / ECM-Nr. 100081060/UGD/044/G 500000139822		Rev. G Page 1/3	
HARTING Customised Solutions		D-32339 Espelkamp		Tech. Character.		Free size tol.		According to production drawing				

1	2	3	4	5	6	7	8
				RJ1 Ethernet trailing cable, AWG22/7, 2x2x0.75, PUR, Cat. 5+, green			
32	09457005061		100	64	09457005083	RJ1 Ethernet stranded cable, AWG 22/7, 2x2x0.75, outdoor, PVC, Cat. 5+, black	
31	09457005060		90	63	09457005082		
30	09457005059		80	62	09457005081		100
29	09457005058		70	61	09457005080		90
28	09457005057		60	60	09457005079		80
27	09457005056		50	59	09457005078		70
26	09457005055		40	58	09457005077		60
25	09457005085		35	57	09457005094		50
24	09457005054		30	56	09457005093		40
23	09457005033		25	55	09457005076		35
22	09457005097		21	54	09457005092		31
21	09457005053		20	53	09457005075		30
20	09457005091		17	52	09457005074		25
19	09457005052		15	51	09457005073		20
18	09457005095		14	50	09457005072		15
17	09457005034		12.5	49	09457005071		10
16	09457005035		11	48	09457005070		9
15	09457005051		10	47	09457005069		8
14	09457005031		9	46	09457005090		5.5
13	09457005030		8	45	09457005068		5
12	09457005029		7	44	09457005089		4.1
11	09457005028		6	43	09457005067		4
10	09457005027		5	42	09457005088		3.6
9	09457005026		4	41	09457005066		3
8	09457005025		3	40	09457005084		2.8
7	09457005032		2.5	39	09457005065		2
6	09457005024		2	38	09457005064		1.5
5	09457005023		1.5	37	09457005087		1.4
4	09457005022		1	36	09457005086		1.3
3	09457005021		0.5	35	09457005063		1
2	09457005020		0.2	34	09457005062		0.5
1	09457005096		0.1	33	09457005098		0.3
Cont. no.	Part no.	Type of cable	Dim. a[m]	Cont. no.	Part no.	Type of cable	Dim. a[m]
				 All Dimensions in mm			
				Tech. Character.		Free size tol.	
				According to production drawing			
				 All rights reserved Department HCS - RO		Created by MUNTEANV	
				Inspected by MUNTEANV		Standardisation MUNTEANV	
				Title M12 D-coded Cable Assembly		Date 2018-09-10	
				State Final Release		Doc-Key / ECM-Nr. 100081060/UGD/044/G 500000139822	
				HARTING Customised Solutions D-32339 Espelkamp		Rev. G	
				Type TB		Number 09457005XXX	
				Page 2/3			

1	2	3	4	5	6	7	8	
A								A
B								B
C								C
D	88	09457005183	RJ45 Ethernet stranded cable, 4xAWG22/7, PVC, Cat. 5+, green	100				D
	87	09457005182		90				
	86	09457005181		80				
	85	09457005180		70				
	84	09457005179		60				
	83	09457005178		50				
	82	09457005177		40				
	81	09457005176		30				
	80	09457005185		25				
	79	09457005175		20				
	78	09457005174		15				
	77	09457005186		12.5				
	76	09457005173		10				
	75	09457005172		9				
	74	09457005171		8				
	73	09457005170		7				
	72	09457005169		6				
	71	09457005168		5				
	70	09457005167		4				
	69	09457005166		3				
	68	09457005165	2					
	67	09457005164	1.5					
	66	09457005163	1					
	65	09457005162	0.5					
E							E	
F	Cont. no.	Part no.	Type of cable	Dim. a[m]				F
	1	2	3	4	5	6	8	

	All rights reserved		Created by MUNTEANV		Inspected by MUNTEANV		Standardisation MUNTEANV		Date 2018-09-10		State Final Release	
	Department HCS - RO		Title M12 D-coded Cable Assembly									
HARTING Customised Solutions D-32339 Espelkamp			Type TB		Number 09457005XXX					Rev. G		Page 3/3