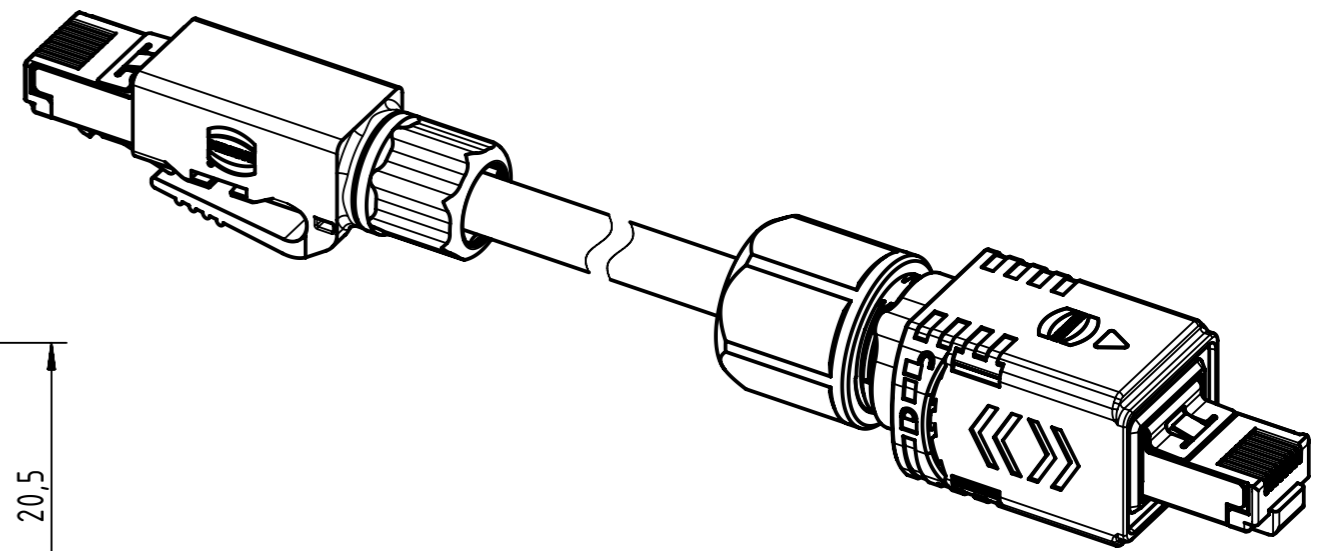
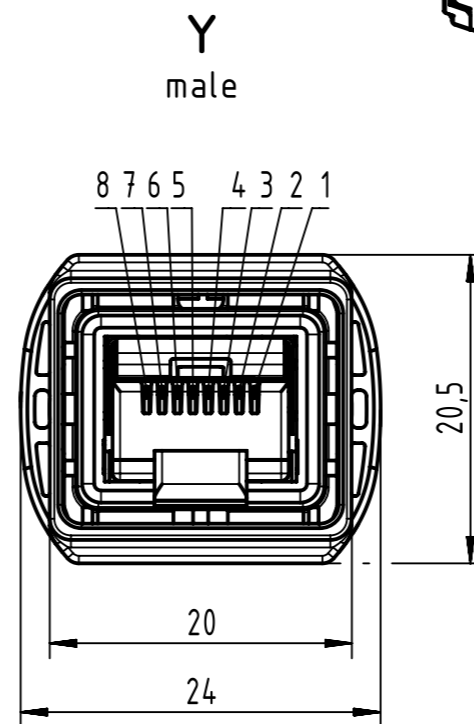
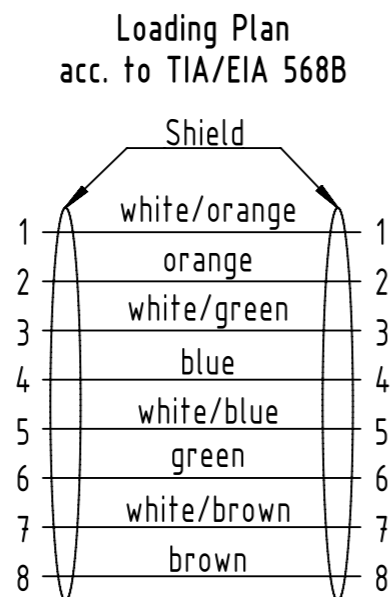
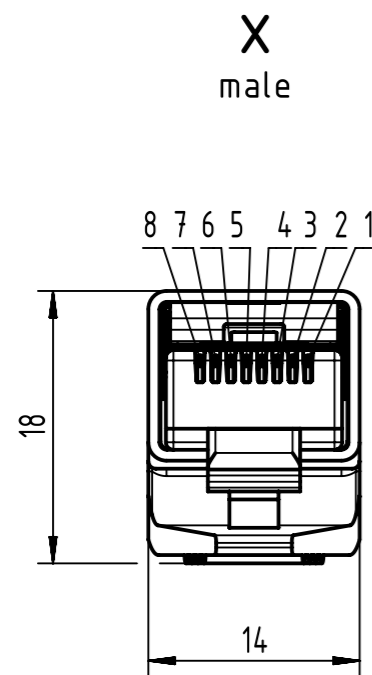
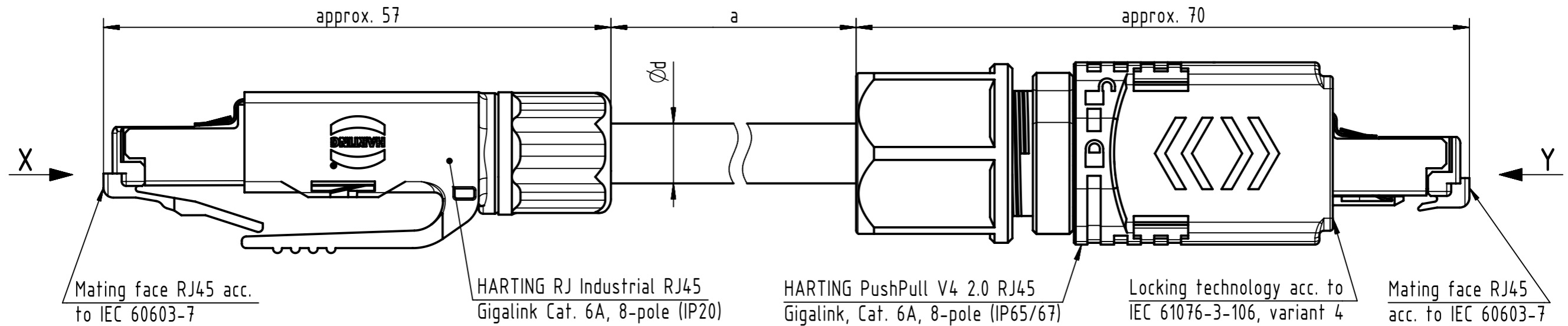


Connector Location A


Connector Location B



Temperature range:
 - Fixed installation: -40°C ... +70°C
 - Dynamic installation: -40°C ... +70°C

| | | | | | | | |
|---|---------------------------------------|---------------------------------|--|--------------------|------------------------|---------------------------------|---|
| All Dimensions in mm | | Tech. Character. | | Free size tol. | | According to production drawing | |
| All rights reserved Department HCS - RO HARTING Customised Solutions D-32339 Espelkamp | Created by COSTEA Costea | Inspected by 402676 Gross | Standardisation MUNTEANV Muntean | Date 2020-05-11 | State Final Release | | Doc-Key / ECM-Nr. 100121364/UGD/011/M 500000173178 Rev. M Page 1/2 |
| | Title RJ Industrial Cable Assembly | | | Type TB | Number 09457011YYY | | |

| 1 | 2 | 3 | 4 | 5 | 6 | 7 | 8 |
|---|-----------|-------------|---|-----------|------------|---|---|
| A | 36 | 09457011523 | RJI Ethernet Stranded Cable, 4x2xAWG 26/7, PVC, Cat. 6A, yellow | 100* | 6.6 | NOTE: * Ethernet transmission possible for lengths up to 45m | |
| | 35 | 09457011525 | | 70* | | | |
| | 34 | 09457011522 | | 50* | | | |
| | 33 | 09457011524 | | 30 | | | |
| | 32 | 09457011521 | | 25 | | | |
| | 31 | 09457011514 | | 20 | | | |
| | 30 | 09457011513 | | 15 | | | |
| B | 29 | 09457011512 | | 10 | | | |
| | 28 | 09457011519 | | 9 | | | |
| | 27 | 09457011518 | | 8 | | | |
| | 26 | 09457011517 | | 7 | | | |
| | 25 | 09457011520 | | 6 | | | |
| | 24 | 09457011511 | | 5 | | | |
| | 23 | 09457011516 | | 4 | | | |
| C | 22 | 09457011510 | | 3 | | | |
| | 21 | 09457011526 | | 2.5 | | | |
| | 20 | 09457011515 | | 2 | | | |
| | 19 | 09457011509 | | 1.5 | | | |
| | 18 | 09457011508 | 1 | | | | |
| | 17 | 09457011507 | 0.5 | | | | |
| D | 16 | 09457011118 | RJI Ethernet Stranded Cable 4x2xAWG 26/7, outdoor, PVC, Cat. 5, black | 50 | 6.7 | | |
| | 15 | 09457011117 | | 35 | | | |
| | 14 | 09457011116 | | 20 | | | |
| | 13 | 09457011115 | | 15 | | | |
| | 12 | 09457011114 | | 10 | | | |
| | 11 | 09457011113 | | 9 | | | |
| | 10 | 09457011112 | | 8 | | | |
| | 9 | 09457011111 | | 7 | | | |
| E | 8 | 09457011110 | | 6 | | | |
| | 7 | 09457011109 | | 5 | | | |
| | 6 | 09457011108 | 4 | | | | |
| | 5 | 09457011107 | 3 | | | | |
| | 4 | 09457011106 | 2 | | | | |
| | 3 | 09457011105 | 1.5 | | | | |
| | 2 | 09457011104 | 1 | | | | |
| F | 1 | 09457011103 | 0.5 | | | | |
| | Cont. no. | Part no. | Type of cable | Dim. a[m] | Dim. d[mm] | | |

| | | | | | | | |
|---|--|---------------------------------------|---------------------------------|--|------------------------|------------------------|--|
|  | All rights reserved Department HCS - RO | Created by COSTEA Costea | Inspected by 402676 Gross | Standardisation MUNTEANV Muntean | Date 2020-05-11 | State Final Release | Doc-Key / ECM-Nr. 100121364/UGD/011/M 500000173178 |
| HARTING Customised Solutions D-32339 Espelkamp | | Title RJ Industrial Cable Assembly | | Type TB | Number 09457011YYYY | Rev. M | Page 2/2 |