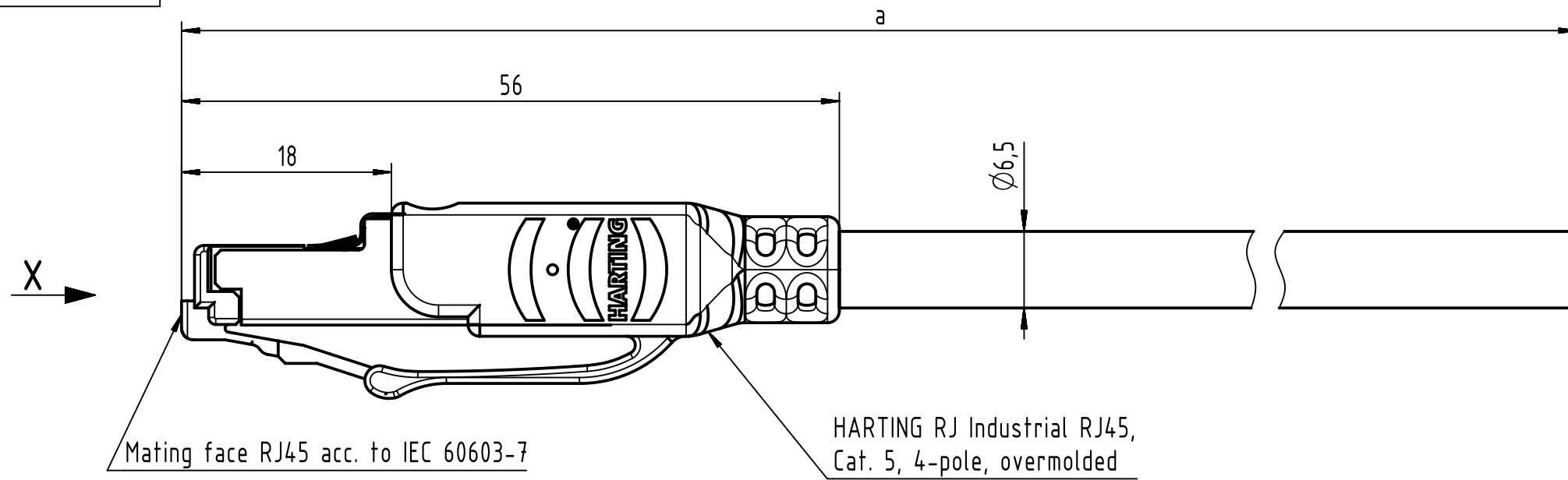
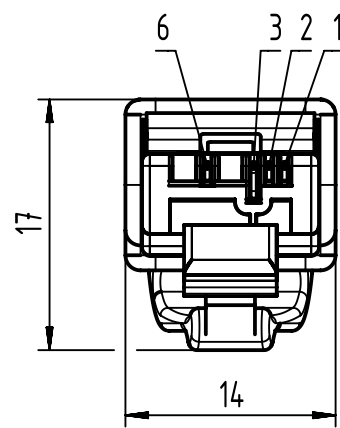


Connector Location A

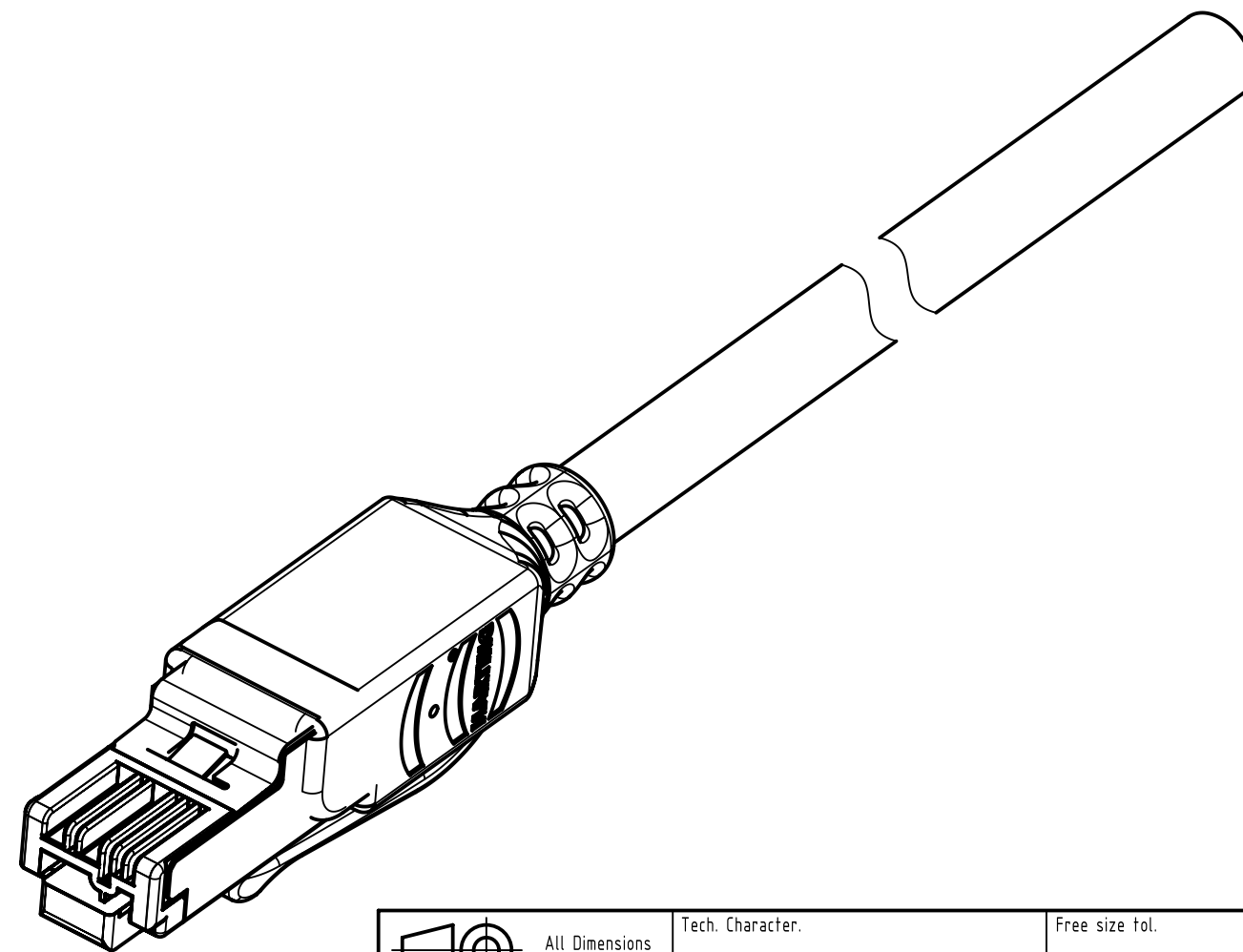
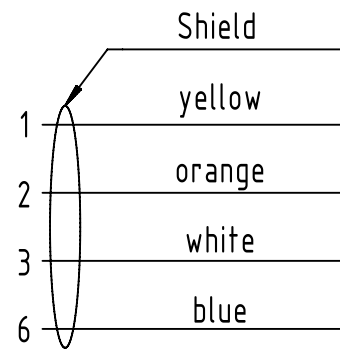
Connector Location B



X
male



Loading Plan



- Protection level: IP20
- Temperature range: -40°C ... +70°C

All Dimensions in mm		Tech. Character.		Free size tol.		According to production drawing	
	All rights reserved		Created by COSTEA Costea	Inspected by STOCHECIC Stochechi	Standardisation MUNTEANV Muntean	Date 2019-07-18	State Final Release
	Department HCS - RO		Title RJ Industrial Cable Assembly				Doc-Key / ECM-Nr. 100081054/UGD/054/E 500000156154
HARTING Customised Solutions D-32339 Espelkamp			Type TB	Number 09457710XXX		Rev. E	Page 1/2

