

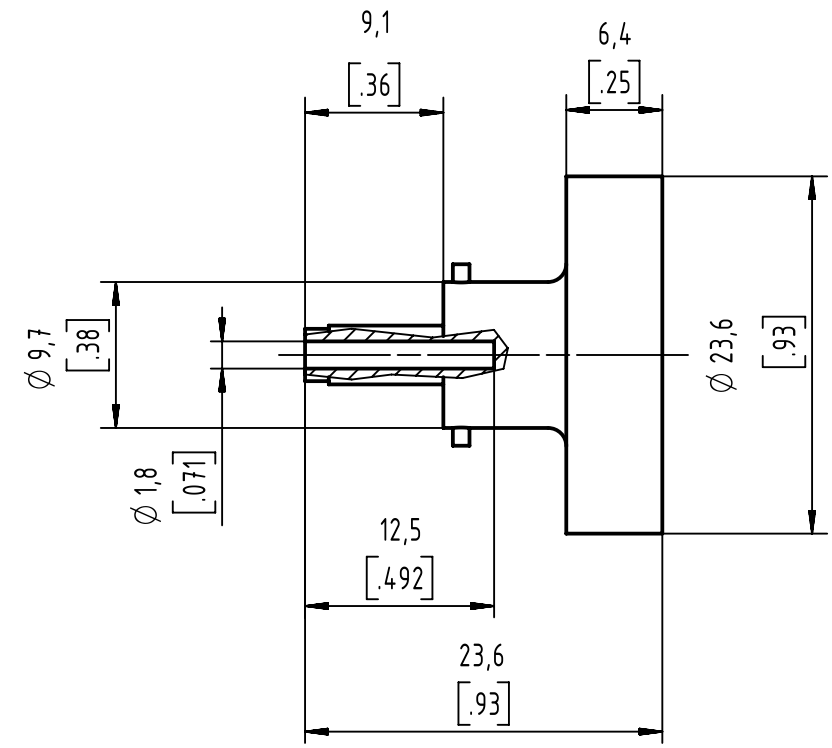
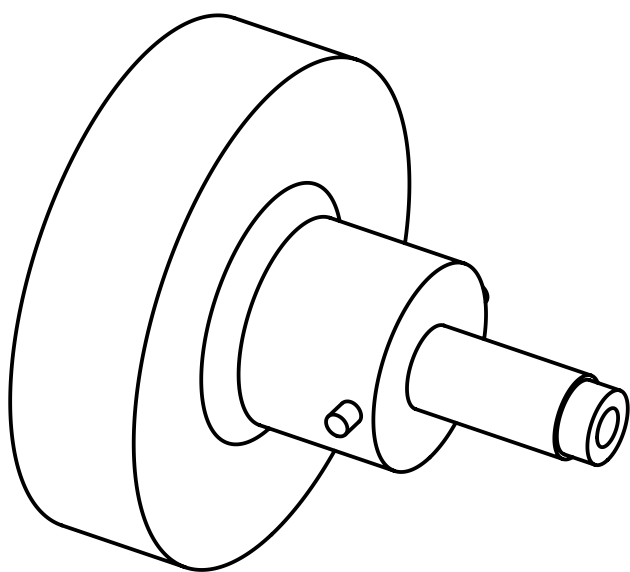
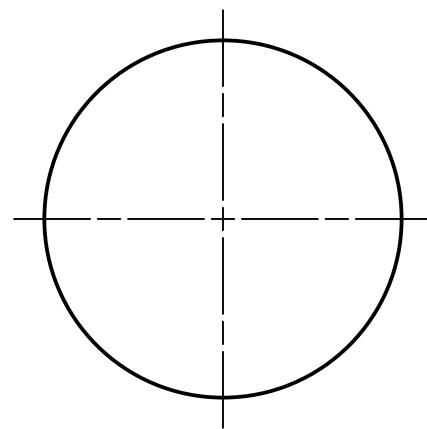
1 2 3 4 5 6

A

B

C

D



Positionierhülse für Handcrimpzange 09 99 000 0501
 Positioner for hand crimp tool 09 99 000 0501

	All Dimensions in mm Original Size DIN A4		Scale 1:1	Free size tol.		Ref.	
	All rights reserved Department EC PD - DE		Created by WAERMKER	Inspected by GENAU	Standardisation HOFFMANN	Date 2015-03-03	
HARTING Electronics GmbH D-32339 Espelkamp		Title M 12 Locator for d 0,8				State Final Release	
		Type TB	Number 09990000637			Doc-Key / ECM-Nr. 100608942/UGD/001/A 500000085804	
					Rev. A	Page 1/1	