

Product data sheet

Miniature connectors

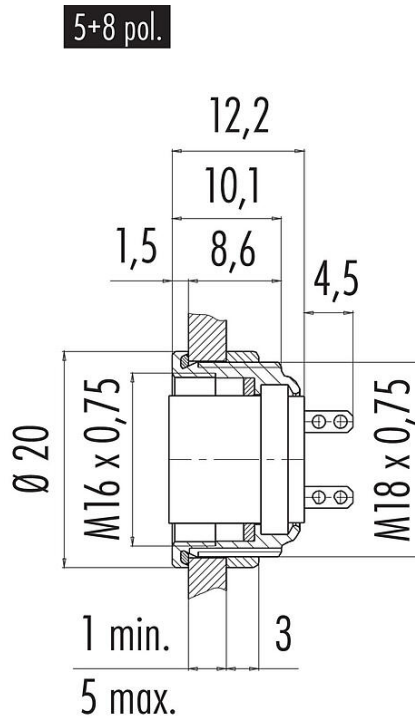


| | |
|---------------------|--|
| Product description | M16 IP67 female panel mount connector, Contacts: 4, unshielded, solder, IP67, UL |
| Area | M16 IP67 series 723 |
| Part no. | 09 0112 00 04 |

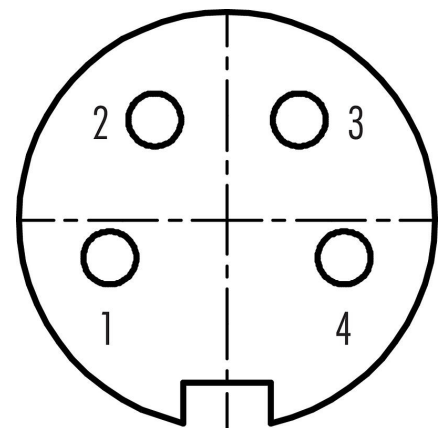
Illustration



Scale drawing



Contact arrangement (Plug-in side)



You can find the assembly instructions on the next page.

Technical data

General features

| | |
|---------------------------|-------------------------------|
| Part no. | 09 0112 00 04 |
| Connector design | female panel mount connector |
| Version | connector female straight |
| Connector locking system | screw |
| Termination | solder |
| Degree of protection | IP67 |
| Cross-sectional area | 0.75 mm ² / AWG 18 |
| Temperature range from/to | -40 °C / 95 °C |
| Tightening torque | 0,5 - 1 Nm (screw nut) |
| Mechanical operation | > 500 Mating cycles |
| Weight (g) | 9.66 |
| Customs tariff number | 85369010 |

Product data sheet

Miniature connectors



| | |
|---------------------|--|
| Product description | M16 IP67 female panel mount connector, Contacts: 4, unshielded, solder, IP67, UL |
| Area | M16 IP67 series 723 |
| Part no. | 09 0112 00 04 |

Electrical parameters

| | |
|---------------------------|-----------------------|
| Rated voltage | 250 V |
| Rated impulse voltage | 1500 V |
| Rated current (40 °C) | 6 A |
| Insulation resistance | $\geq 10^{10} \Omega$ |
| Pollution degree | 1 |
| Overvoltage category | I |
| Insulating material group | III |
| EMC compliance | unshielded |

Material

| | |
|-----------------------|--------------------------------------|
| Housing material | Zinc die-cast nickel-plated |
| Contact body material | PBT (UL94 V-0) |
| Contact material | CuSn (bronze) |
| Contact plating | Ag (silver) |
| REACH SVHC | CAS 7439-92-1 (Lead) |
| SCIP number | b6c70ffb-79a0-410b-822d-4ed7f3ce38d9 |

Authorization/approvals

| | |
|-----------|----|
| Approvals | UL |
|-----------|----|

Classifications

| | |
|-------------|-------------|
| eCl@ss 11.1 | 27-44-01-09 |
| ETIM 7.0 | EC003569 |

Product data sheet
Miniature connectors



| | |
|---------------------|---|
| Product description | M16 IP67 female panel mount connector, Contacts: 4, unshielded, solder, IP67, UL |
| Area | M16 IP67 series 723 |
| Part no. | 09 0112 00 04 |

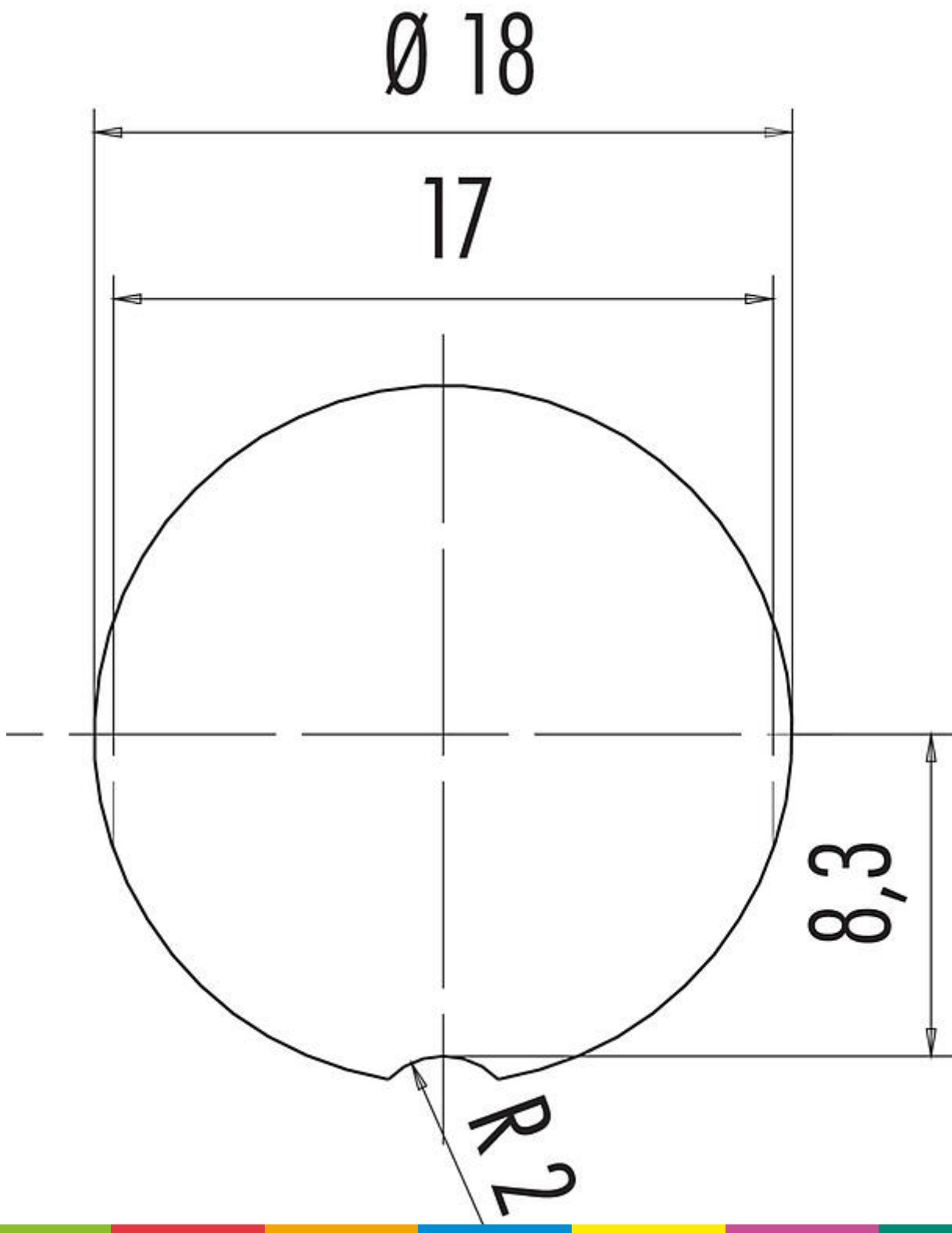
Product data sheet
Miniature connectors



| | |
|---------------------|---|
| Product description | M16 IP67 female panel mount connector, Contacts: 4, unshielded, solder, IP67, UL |
| Area | M16 IP67 series 723 |
| Part no. | 09 0112 00 04 |

| | |
|---------------------|--|
| Product description | M16 IP67 female panel mount connector, Contacts: 4, unshielded, solder, IP67, UL |
| Area | M16 IP67 series 723 |
| Part no. | 09 0112 00 04 |

Assembly instructions / Panel cut-out



| | |
|---------------------|---|
| Product description | M16 IP67 female panel mount connector, Contacts: 4, unshielded, solder, IP67, UL |
| Area | M16 IP67 series 723 |
| Part no. | 09 0112 00 04 |

General Disclaim Notice

The connector must not be plugged or unplugged under load. Non-observance and improper use can result in personal injury.

The connectors have been developed for applications in plant engineering, control and electrical equipment construction. The user is responsible for checking whether the connectors can also be used in other areas of application.

Plug connectors with enclosure protection IP 67 and IP 68 are not suitable for use under water. When used outdoors, the plug connectors must be protected separately against corrosion. For further information on the IP protection classes, please refer to the "Technical Information" download centre.

The plug connector is not suitable for mains voltages Please observe the pollution degree and the overvoltage category. For further information, please refer to the download center "Technical Information".