

# Product data sheet

## Miniature connectors

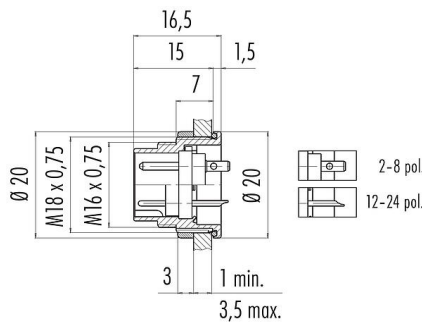


Product description	<b>M16 IP67 Male panel mount connector, Contacts: 5 (05-b), unshielded, solder, IP67, UL, front fastened</b>
Area	<b>M16 IP67 series 723</b>
Part no.	<b>09 0119 80 05</b>

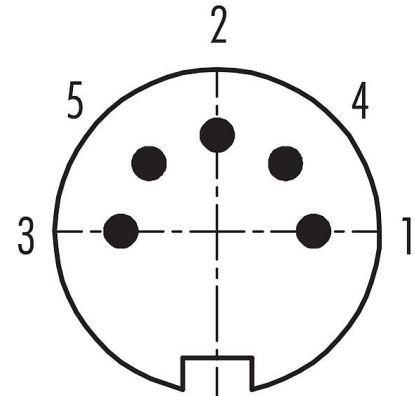
### Illustration



### Scale drawing



### Contact arrangement (Plug-in side)



You can find the component part drawing and assembly instructions on the next page.

### Technical data

#### General features

Part no.	<b>09 0119 80 05</b>
Connector design	Male panel mount connector
Version	Connector pin straight
Connector locking system	screw
Termination	solder
Degree of protection	IP67
Cross-sectional area	0.75 mm <sup>2</sup> / AWG 18
Temperature range from/to	-40 °C / 95 °C
Mechanical operation	> 500 Mating cycles
Weight (g)	11.83
Customs tariff number	85369010

#### Electrical parameters

Rated voltage	60 V
Rated impulse voltage	500 V
Rated current (40 °C)	6.0 A
Insulation resistance	≥ 10 <sup>10</sup> Ω
Pollution degree	1
Overvoltage category	I
Insulating material group	III
EMC compliance	unshielded

#### Material

Housing material	Zinc die-cast nickel-plated
Contact body material	PBT (UL94 V-0)



# Product data sheet

## Miniature connectors

Product description **M16 IP67 Male panel mount connector, Contacts: 5 (05-b), unshielded, solder, IP67, UL, front fastened**

Area **M16 IP67 series 723**  
Part no. **09 0119 80 05**

Contact material	CuZn (brass)
Contact plating	Ag (silver)
REACH SVHC	CAS 7439-92-1 (Lead)
SCIP number	8fe582d5-70e0-4341-b997-dffd2beb51a9

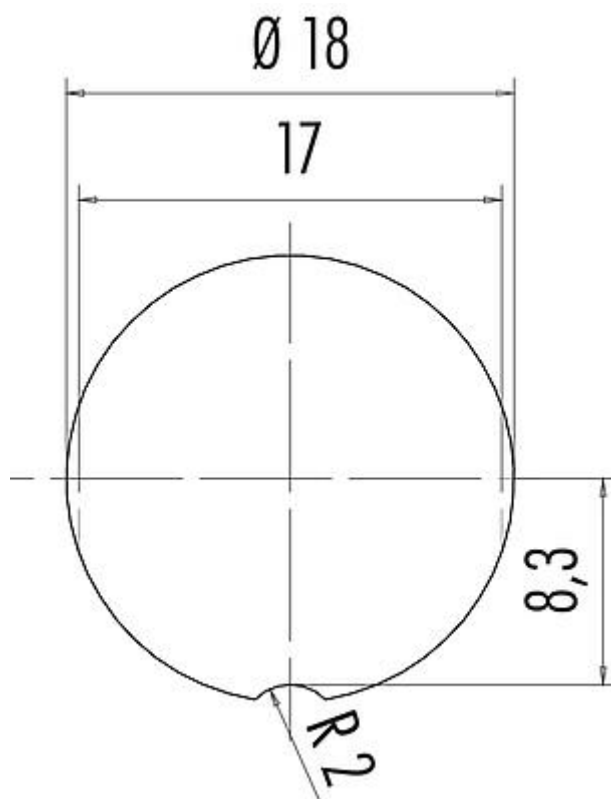
### Authorization/approvals

Approvals	UL
-----------	----

### Classifications

eCl@ss 11.1	27-44-01-09
ETIM 7.0	EC003569

### Assembly instructions / Panel cut-out

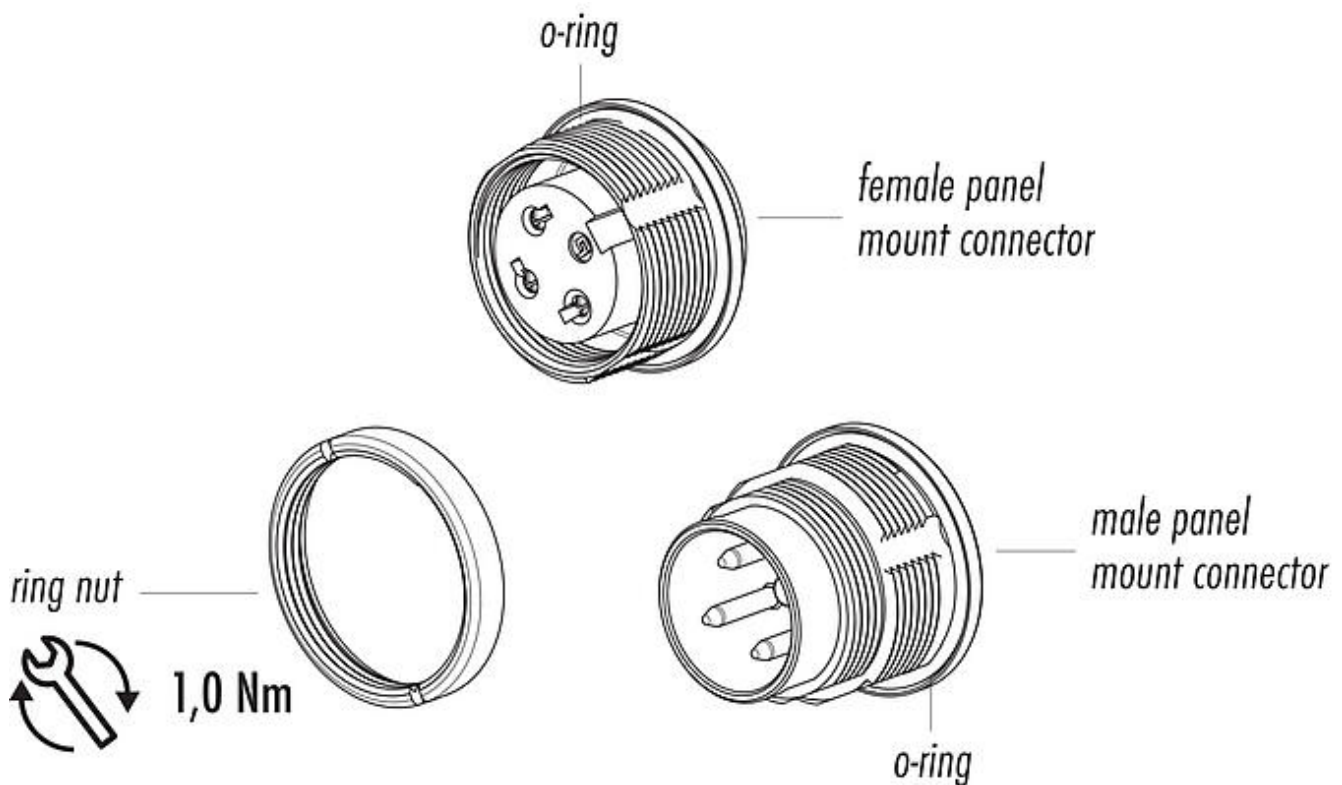


# Product data sheet

## Miniature connectors

Product description	<b>M16 IP67 Male panel mount connector, Contacts: 5 (05-b), unshielded, solder, IP67, UL, front fastened</b>
Area	<b>M16 IP67 series 723</b>
Part no.	<b>09 0119 80 05</b>

### Component part drawing



Product description	<b>M16 IP67 Male panel mount connector, Contacts: 5 (05-b), unshielded, solder, IP67, UL, front fastened</b>
Area	<b>M16 IP67 series 723</b>
Part no.	<b>09 0119 80 05</b>

### **General Disclaim Notice**

The connectors have been developed for applications in plant engineering, control and electrical equipment construction. The user is responsible for checking whether the connectors can also be used in other areas of application.

Plug connectors with enclosure protection IP67 and IP68 are not suitable for use under water. When used outdoors, the plug connectors must be protected separately against corrosion. For further information on the IP protection classes, please refer to the "Technical Information" download centre.