

Product data sheet

Miniature connectors

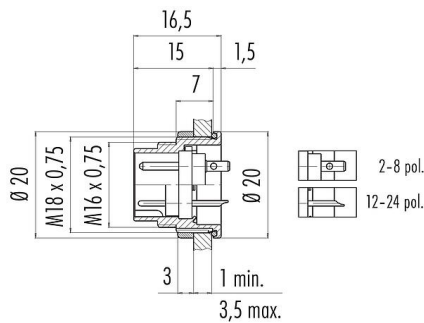


Product description	M16 IP67 Male panel mount connector, Contacts: 6 (06-a), unshielded, solder, IP67, UL, front fastened
Area	M16 IP67 series 723
Part no.	09 0123 80 06

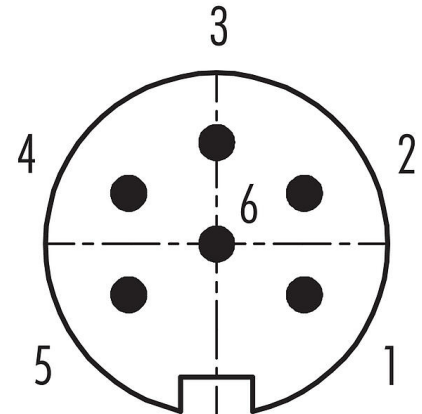
Illustration



Scale drawing



Contact arrangement (Plug-in side)



You can find the component part drawing and assembly instructions on the next page.

Technical data

General features

Part no.	09 0123 80 06
Connector design	Male panel mount connector
Version	Connector pin straight
Connector locking system	screw
Termination	solder
Degree of protection	IP67
Cross-sectional area	0.75 mm ² / AWG 18
Temperature range from/to	-40 °C / 95 °C
Mechanical operation	> 500 Mating cycles
Weight (g)	11.17
Customs tariff number	85369010

Electrical parameters

Rated voltage	250 V
Rated impulse voltage	1500 V
Rated current (40 °C)	5.0 A
Insulation resistance	≥ 10 ¹⁰ Ω
Pollution degree	1
Overvoltage category	I
Insulating material group	III
EMC compliance	unshielded

Material

Housing material	Zinc die-cast nickel-plated
------------------	-----------------------------



Product data sheet

Miniature connectors

Product description **M16 IP67 Male panel mount connector, Contacts: 6 (06-a), unshielded, solder, IP67, UL, front fastened**

Area **M16 IP67 series 723**
Part no. **09 0123 80 06**

Contact body material	PBT (UL94 V-0)
Contact material	CuZn (brass)
Contact plating	Ag (silver)
REACH SVHC	CAS 7439-92-1 (Lead)
SCIP number	SCIP-number not available

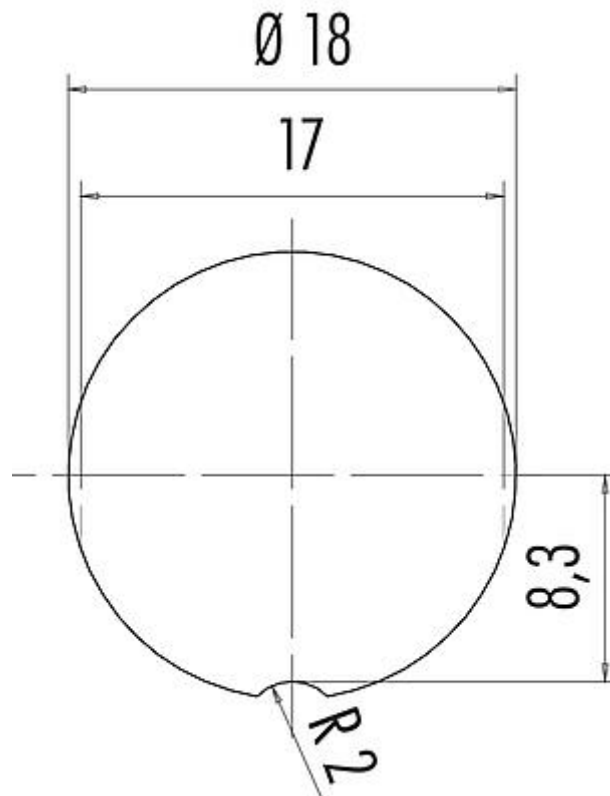
Authorization/approvals

Approvals	UL
-----------	----

Classifications

eClass 11.1	27-44-01-09
ETIM 7.0	EC003569

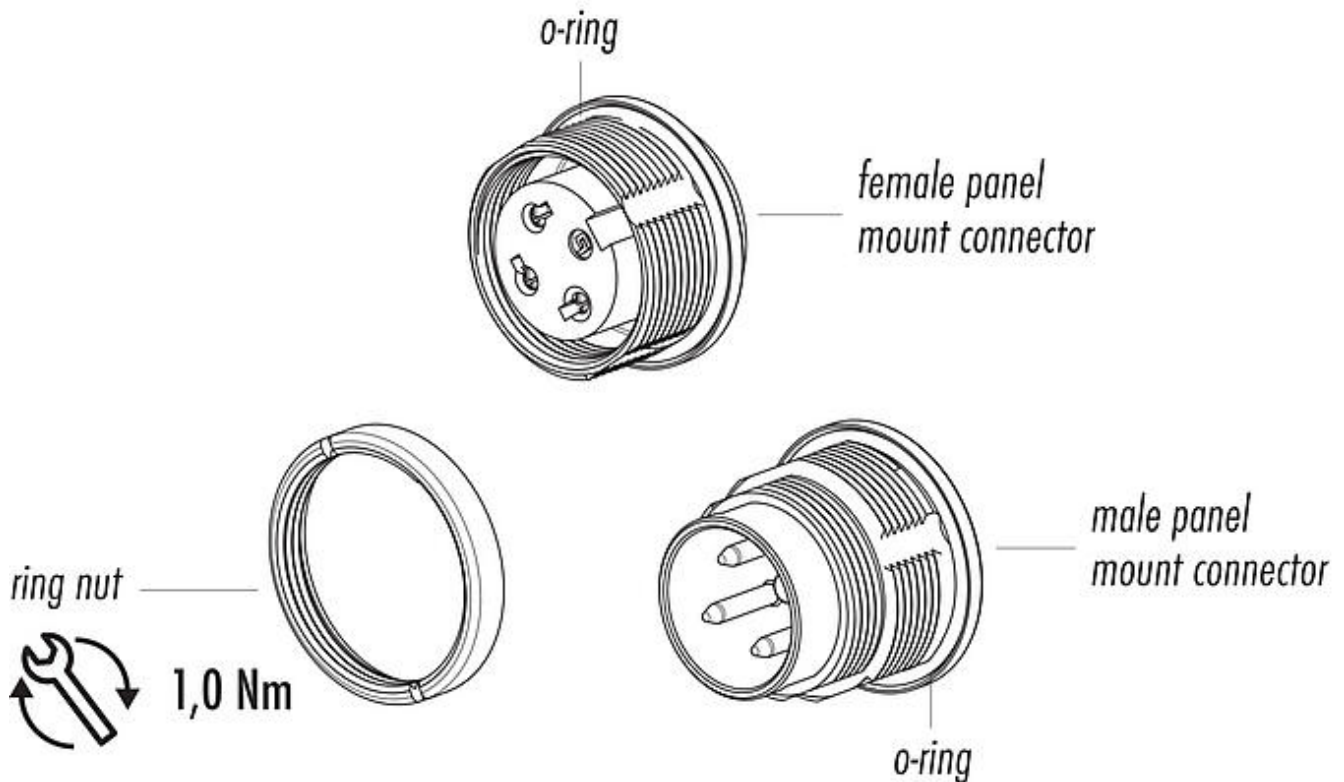
Assembly instructions / Panel cut-out



Product data sheet
Miniature connectors

Product description	M16 IP67 Male panel mount connector, Contacts: 6 (06-a), unshielded, solder, IP67, UL, front fastened
Area	M16 IP67 series 723
Part no.	09 0123 80 06

Component part drawing



Product description	M16 IP67 Male panel mount connector, Contacts: 6 (06-a), unshielded, solder, IP67, UL, front fastened
Area	M16 IP67 series 723
Part no.	09 0123 80 06

General Disclaim Notice

The connector must not be plugged or unplugged under load. Non-observance and improper use can result in personal injury.

The connectors have been developed for applications in plant engineering, control and electrical equipment construction. The user is responsible for checking whether the connectors can also be used in other areas of application.

Plug connectors with enclosure protection IP67 and IP68 are not suitable for use under water. When used outdoors, the plug connectors must be protected separately against corrosion. For further information on the IP protection classes, please refer to the "Technical Information" download centre.

The plug connector is not suitable for mains voltages Please observe the pollution degree and the overvoltage category. For further information, please refer to the download center "Technical Information".