

Product data sheet

Miniature connectors

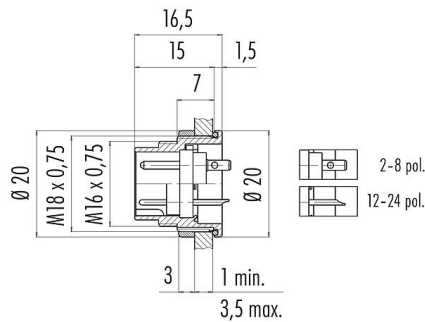


| | |
|---------------------|---|
| Product description | M16 IP67 Male panel mount connector, Contacts: 12 (12-a), unshielded, solder, IP67, UL, front fastened |
| Area | M16 IP67 series 723 |
| Part no. | 09 0131 80 12 |

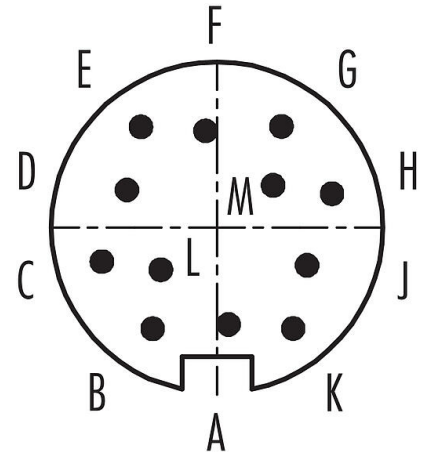
Illustration



Scale drawing



Contact arrangement (Plug-in side)



You can find the component part drawing and assembly instructions on the next page.

Technical data

General features

| | |
|---------------------------|-------------------------------|
| Part no. | 09 0131 80 12 |
| Connector design | Male panel mount connector |
| Version | Connector pin straight |
| Connector locking system | screw |
| Termination | solder |
| Degree of protection | IP67 |
| Cross-sectional area | 0.25 mm ² / AWG 24 |
| Temperature range from/to | -40 °C / 95 °C |
| Mechanical operation | > 500 Mating cycles |
| Weight (g) | 11.99 |
| Customs tariff number | 85369010 |

Electrical parameters

| | |
|---------------------------|----------------------|
| Rated voltage | 60 V |
| Rated impulse voltage | 500 V |
| Rated current (40 °C) | 3,0 A |
| Insulation resistance | ≥ 10 ¹⁰ Ω |
| Pollution degree | 1 |
| Overvoltage category | I |
| Insulating material group | III |
| EMC compliance | unshielded |

Product data sheet

Miniature connectors



| | |
|---------------------|---|
| Product description | M16 IP67 Male panel mount connector, Contacts: 12 (12-a), unshielded, solder, IP67, UL, front fastened |
| Area | M16 IP67 series 723 |
| Part no. | 09 0131 80 12 |

Material

| | |
|-----------------------|-----------------------------|
| Housing material | Zinc die-cast nickel-plated |
| Contact body material | PBT (UL94 V-0) |
| Contact material | CuZn (brass) |
| Contact plating | Au (gold) |
| REACH SVHC | CAS 7439-92-1 (Lead) |
| SCIP number | SCIP-number not available |

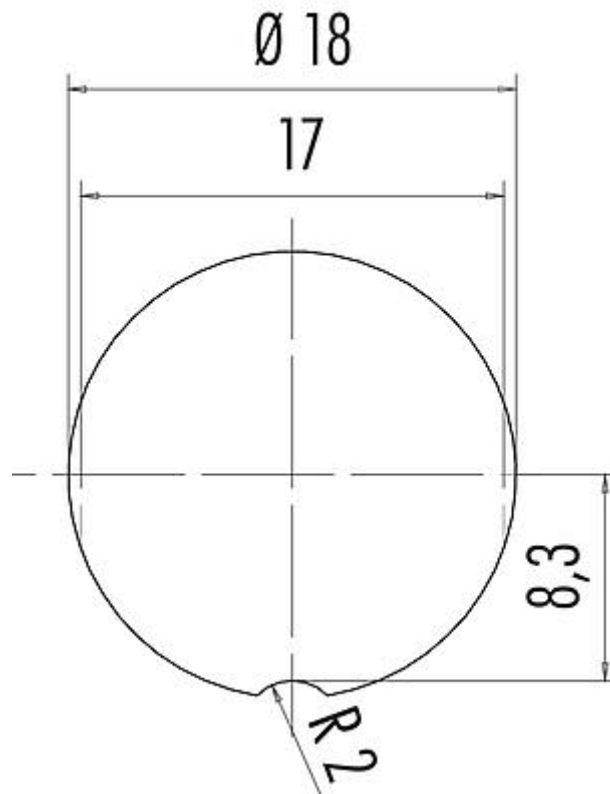
Authorization/approvals

| | |
|-----------|----|
| Approvals | UL |
|-----------|----|

Classifications

| | |
|-------------|-------------|
| eCl@ss 11.1 | 27-44-01-09 |
| ETIM 7.0 | EC003569 |

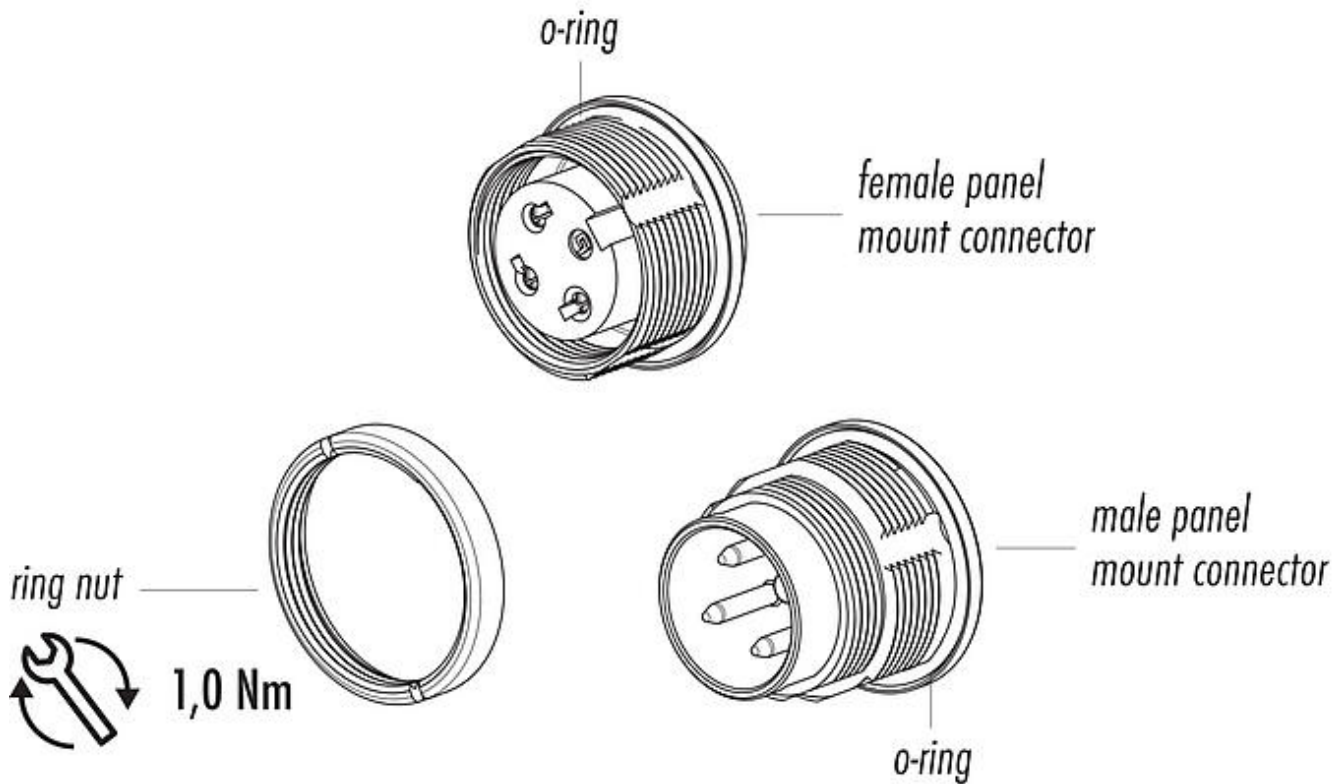
Assembly instructions / Panel cut-out



Product data sheet
Miniature connectors

| | |
|---------------------|---|
| Product description | M16 IP67 Male panel mount connector, Contacts: 12 (12-a), unshielded, solder, IP67, UL, front fastened |
| Area | M16 IP67 series 723 |
| Part no. | 09 0131 80 12 |

Component part drawing



| | |
|---------------------|---|
| Product description | M16 IP67 Male panel mount connector, Contacts: 12 (12-a), unshielded, solder, IP67, UL, front fastened |
| Area | M16 IP67 series 723 |
| Part no. | 09 0131 80 12 |

General Disclaim Notice

The connectors have been developed for applications in plant engineering, control and electrical equipment construction. The user is responsible for checking whether the connectors can also be used in other areas of application.

Plug connectors with enclosure protection IP67 and IP68 are not suitable for use under water. When used outdoors, the plug connectors must be protected separately against corrosion. For further information on the IP protection classes, please refer to the "Technical Information" download centre.