

# Product data sheet

## Miniature connectors

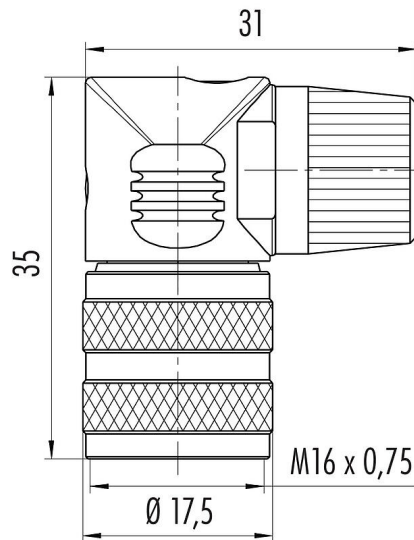


Product description	M16 IP40 female angled connector, Contacts: 8 DIN, 4.0 - 6.0 mm, unshielded, solder, IP40
Area	M16 IP40 series 682
Order number	09 0154 70 08

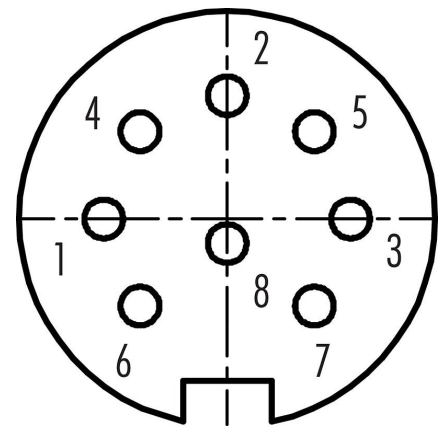
### Illustration



### Scale drawing



### Contact arrangement (Plug-in side)



You can find the component part drawing and assembly instructions on the next page.

### Technical data

#### General features

Order number	09 0154 70 08
Connector design	female angled connector
Version	connector female angled
Connector locking system	screw
Termination	solder
Degree of protection	IP40
Cross-sectional area	0.75 mm <sup>2</sup> / AWG 18
Cable outlet	4.0 - 6.0 mm
Twistability	not rotatable
Temperature range from/to	-40 °C / 85 °C
Mechanical operation	> 500 Mating cycles
Weight (g)	16.628
Customs tariff number	85369010

#### Electrical parameters

Rated voltage	60 V
Rated impulse voltage	500 V
Rated current (40 °C)	5 A
Insulation resistance	≥ 10 <sup>10</sup> Ω

# Product data sheet

## Miniature connectors



Product description	M16 IP40 female angled connector, Contacts: 8 DIN, 4.0 - 6.0 mm, unshielded, solder, IP40
Area	M16 IP40 series 682
Order number	09 0154 70 08

Pollution degree	1
Overvoltage category	I
Insulating material group	III
EMC compliance	unshielded

### Material

Housing material	PA
Contact body material	PBT (UL94 V-0)
Contact material	CuSn (bronze)
Contact plating	Ag (silver)
REACH SVHC	CAS 7439-92-1 (Lead)
SCIP number	2dd3d14b-0898-461f-ba9b-aafa583527eb

### Classifications

eCl@ss 11.1	27-44-01-09
ETIM 7.0	EC003569

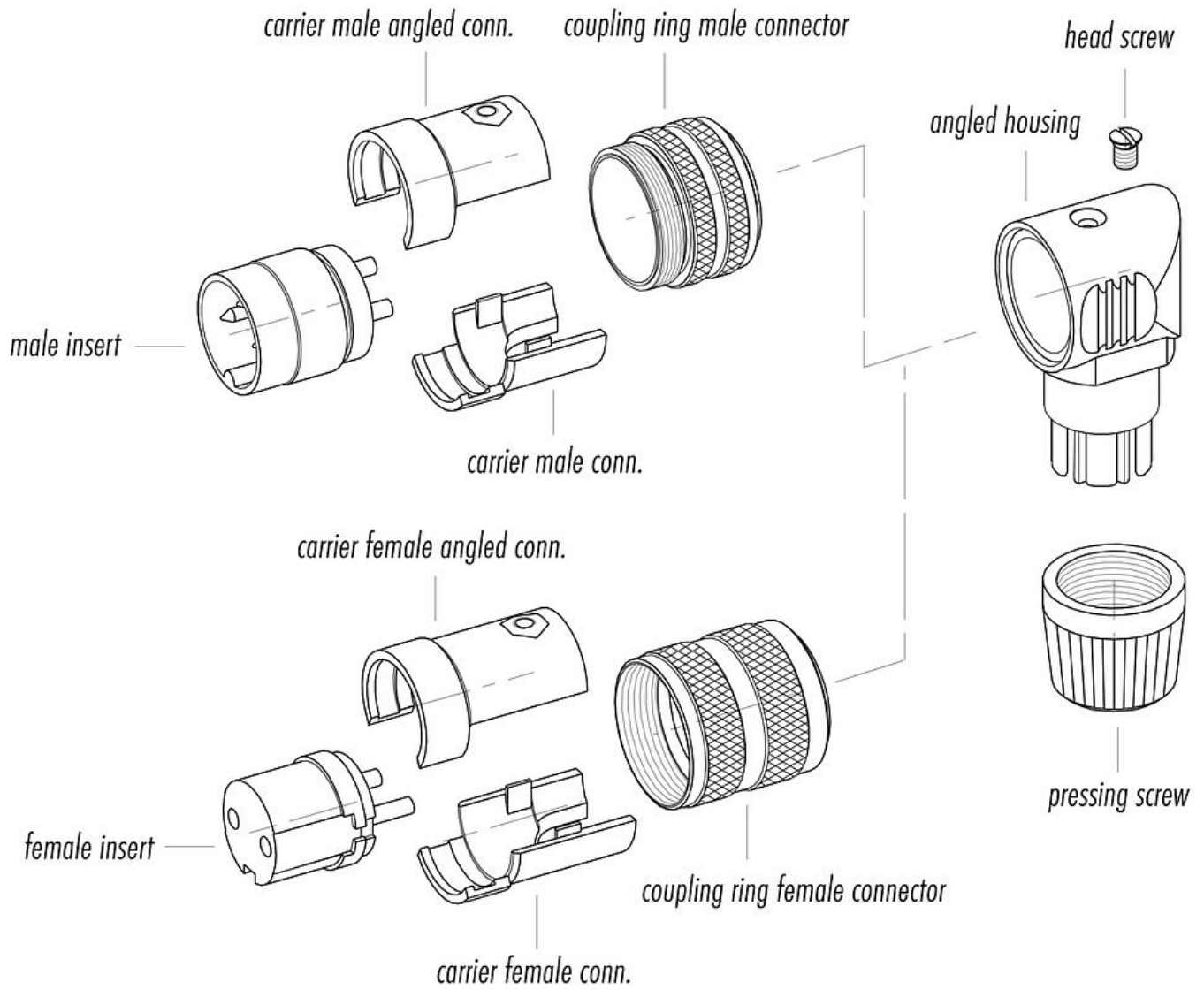
### Declarations of conformity

Low Voltage Directive	2014/35/EU (EN 60204-1:2018;EN 60529:1991)
-----------------------	--

Product data sheet  
Miniature connectors

Product description	M16 IP40 female angled connector, Contacts: 8 DIN, 4.0 - 6.0 mm, unshielded, solder, IP40
Area	M16 IP40 series 682
Order number	09 0154 70 08

Component part drawing



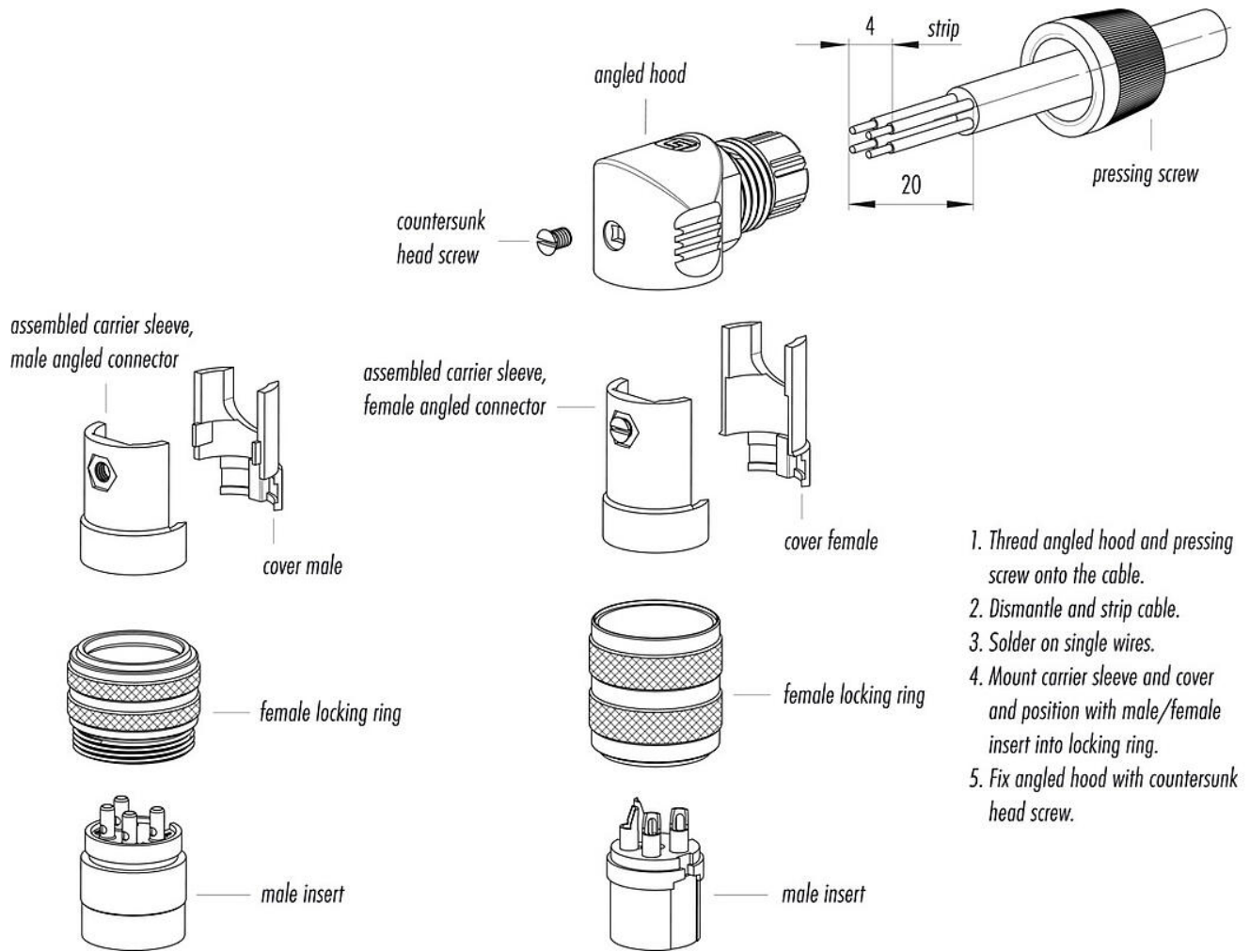
# Product data sheet

## Miniature connectors

Product description M16 IP40 female angled connector, Contacts: 8 DIN, 4.0 - 6.0 mm, unshielded, solder, IP40

Area M16 IP40 series 682  
Order number 09 0154 70 08

### Assembly instructions



# Product data sheet

## Miniature connectors



Product description	<b>M16 IP40 female angled connector, Contacts: 8 DIN, 4.0 - 6.0 mm, unshielded, solder, IP40</b>
Area	<b>M16 IP40 series 682</b>
Order number	<b>09 0154 70 08</b>

### Security notices

The connectors have been developed for applications in plant engineering, control and electrical equipment construction. The user is responsible for checking whether the connectors can also be used in other areas of application.

To lock the cable connector with the device connector, the threaded ring is tightened "hand-tight" (approx. 50 cNm).