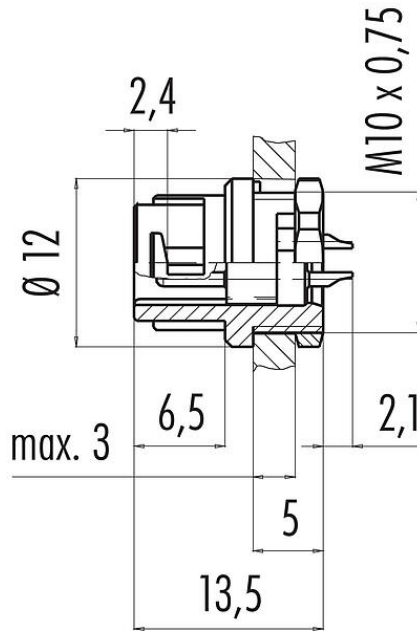


Product description **Bayonet Male panel mount connector, Contacts: 3, unshielded, solder, IP40**
 Area **Bayonet series 710**
 Part no. **09 0977 00 03**

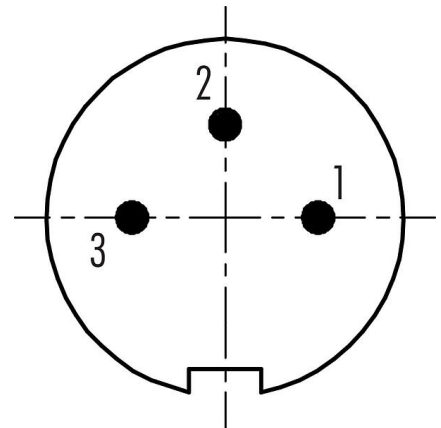
Illustration



Scale drawing



Contact arrangement (Plug-in side)



You can find the component part drawing and assembly instructions on the next page.

Technical data

General features

Part no.	09 0977 00 03
Connector design	Male panel mount connector
Version	Connector pin straight
Connector locking system	Bayonet
Termination	solder
Degree of protection	IP40
Cross-sectional area	0.25 mm ² / AWG 24
Temperature range from/to	-40 °C / 85 °C
Mechanical operation	> 500 Mating cycles
Weight (g)	1.70
Customs tariff number	85369010

Electrical parameters

Rated voltage	125 V
Rated impulse voltage	1500 V
Rated current (40 °C)	4.0 A
Insulation resistance	≥ 10 ¹⁰ Ω
Pollution degree	1

Product data sheet

Subminiature connectors

Product description **Bayonet Male panel mount connector, Contacts: 3, unshielded, solder, IP40**

Area **Bayonet series 710**
Part no. **09 0977 00 03**

Overvoltage category II
Insulating material group III
EMC compliance unshielded

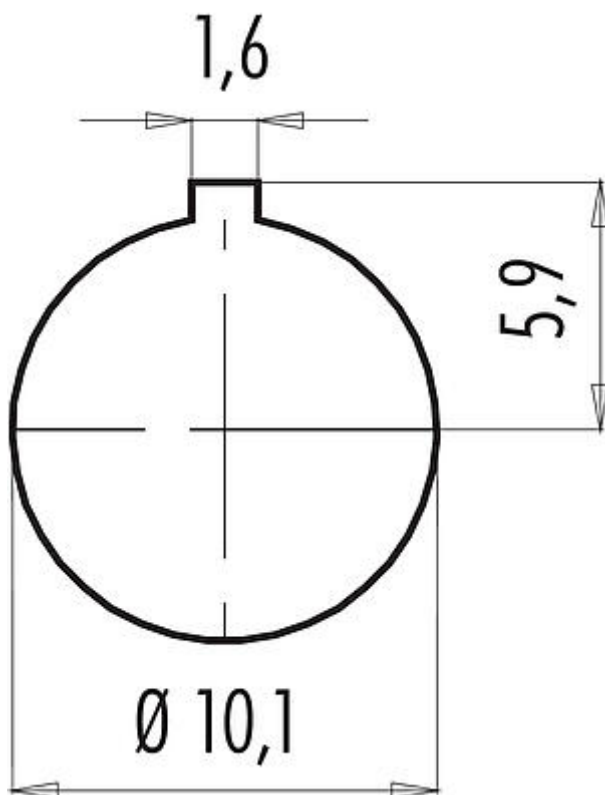
Material

Housing material PA
Contact body material PA (UL94 V-0)
Contact material CuZn (brass)
Contact plating Au (gold)
REACH SVHC CAS 7439-92-1 (Lead)
SCIP number SCIP-number not available

Classifications

eCl@ss 11.1 27-44-01-09
ETIM 7.0 EC003569

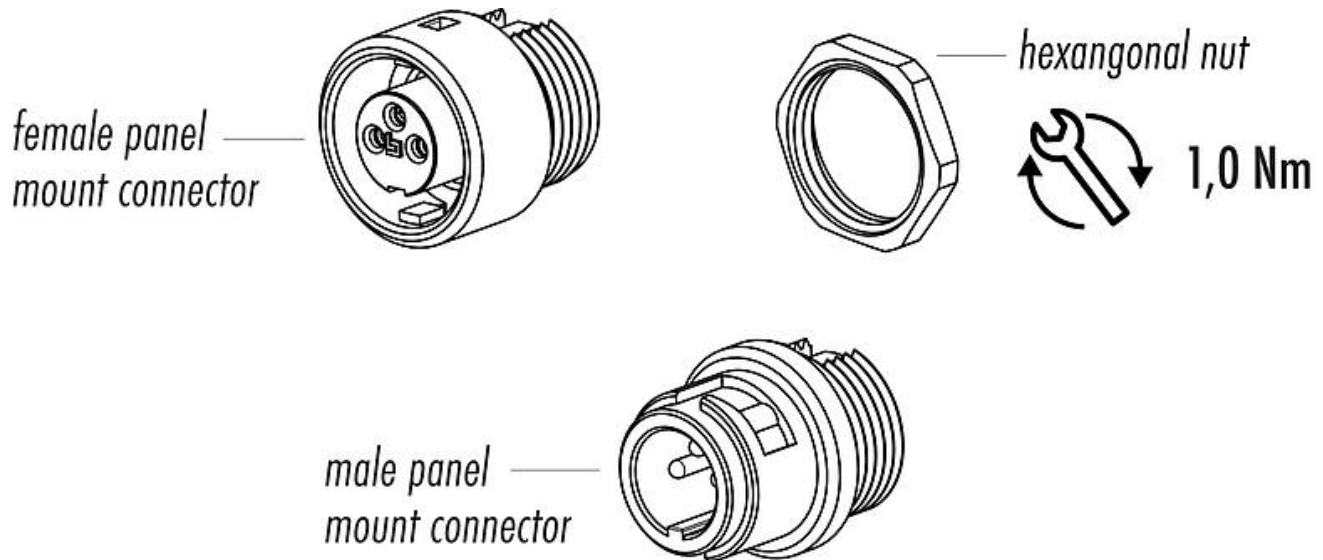
Assembly instructions / Panel cut-out



Product description **Bayonet Male panel mount connector, Contacts: 3, unshielded, solder, IP40**

Area **Bayonet series 710**
Part no. **09 0977 00 03**

Component part drawing



Product description	Bayonet Male panel mount connector, Contacts: 3, unshielded, solder, IP40
Area	Bayonet series 710
Part no.	09 0977 00 03

General Disclaim Notice

The connector must not be plugged or unplugged under load. Non-observance and improper use can result in personal injury.

The connectors have been developed for applications in plant engineering, control and electrical equipment construction. The user is responsible for checking whether the connectors can also be used in other areas of application.