

Product data sheet

Automation Technology - Voltage and Power Supply

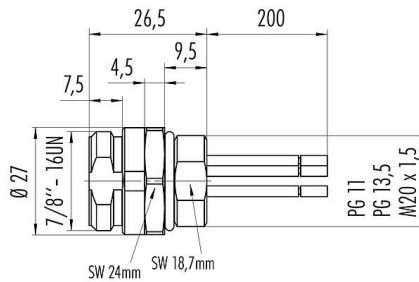


Product description	7/8" Male panel mount connector, Contacts: 4, unshielded, single wires, IP68, UL, VDE, M20x1.5
Area	7/8" series 820
Part no.	09 2449 320 04

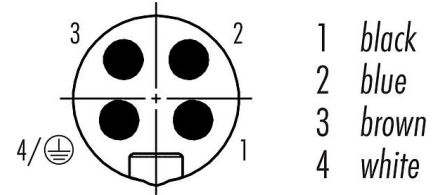
Illustration



Scale drawing



Contact arrangement (Plug-in side)



You can find the assembly instructions on the next page.

Technical data

General features

Part no.	09 2449 320 04
Connector design	Male panel mount connector
Version	Connector pin straight
Connector locking system	screw
Termination	single wires
Degree of protection	IP68
Cross-sectional area	0.75 mm ² / AWG 18
Temperature range from/to	-25 °C / 85 °C
Mechanical operation	> 100 Mating cycles
Weight (g)	42.96
Customs tariff number	85369010

Electrical parameters

Rated voltage	300 V (600 V UL)
Rated impulse voltage	4000 V
Rated current (40 °C)	7.0 A
Pollution degree	3
Overvoltage category	III
Insulating material group	I
EMC compliance	unshielded

Material

Housing material	CuZn (Brass nickel plated)
Contact body material	PUR
Contact material	CuZn (brass)
Contact plating	Au (gold)
REACH SVHC	CAS 7439-92-1 (Lead)

Product data sheet

Automation Technology - Voltage and Power Supply



Product description **7/8" Male panel mount connector, Contacts: 4, unshielded, single wires, IP68, UL, VDE, M20x1.5**
 Area **7/8" series 820**
 Part no. **09 2449 320 04**

SCIP number 71fbf858-a0cf-4089-b912-d29cf38ee071

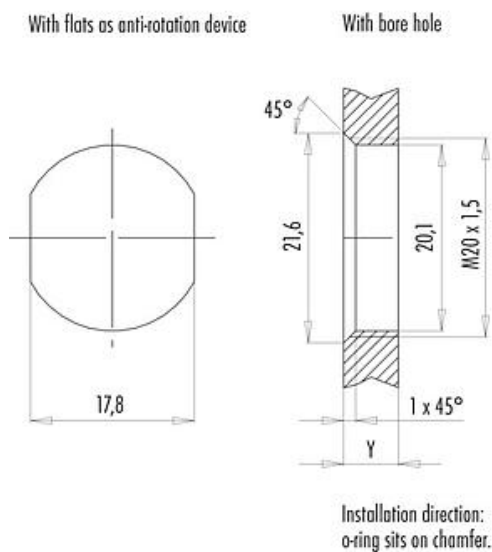
Authorization/approvals

Approvals UL, VDE

Classifications

eCl@ss 11.1 27-44-01-09
 ETIM 7.0 EC003569

Assembly instructions / Panel cut-out



Tightening moment

Metall housing 2,00 Nm
 Plastic housing 1,25 Nm

Thickness of wall Y (mm)		
Version	min (mm)	max (mm)
Fastened from rear	2	3,5
Front fastened	2	4,5
positioning possible ¹⁾	2	3,5
Screw clamp	2	3,5
Thread M12 x 1	2	3,0
Thread M14 x 1 ²⁾	³⁾ 1,5/ ⁴⁾ 2	6,5

Notes

- ¹⁾ Do not attach a chamfer
- ²⁾ Wall thickness:
use nut 38 5385 100 001 to 1,5 mm,
>1,5 mm cut thread
- ³⁾ Nut
- ⁴⁾ Thread in wall of housing

Product description	7/8" Male panel mount connector, Contacts: 4, unshielded, single wires, IP68, UL, VDE, M20x1.5
-	-
Area	7/8" series 820
Part no.	09 2449 320 04

General Disclaim Notice

The connector must not be plugged or unplugged under load. Non-observance and improper use can result in personal injury.

The connectors have been developed for applications in plant engineering, control and electrical equipment construction. The user is responsible for checking whether the connectors can also be used in other areas of application.

Plug connectors with enclosure protection IP67 and IP68 are not suitable for use under water. When used outdoors, the plug connectors must be protected separately against corrosion. For further information on the IP protection classes, please refer to the "Technical Information" download centre.