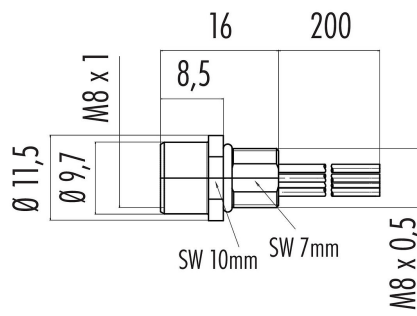


Product description	M8 female panel mount connector, Contacts: 4, unshielded, single wires, IP67 (snap), UL, M8x0.5
Area	M8 series 718
Part no.	09 3390 00 04

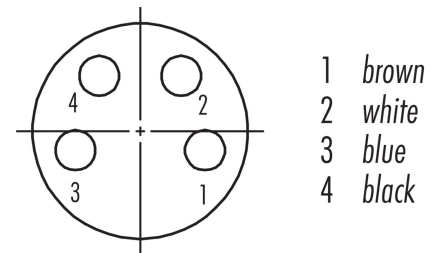
Illustration



Scale drawing



Contact arrangement (Plug-in side)



You can find the assembly instructions on the next page.

Technical data

General features

Part no.	09 3390 00 04
Connector design	female panel mount connector
Wire length	0,2 m
Version	connector female straight
Connector locking system	snap, screw
Termination	single wires
Degree of protection	IP67 (snap) IP67 (screw)
Cross-sectional area	0.25 mm ² / AWG 24
Temperature range from/to	-40 °C / 85 °C
Mechanical operation	> 100 Mating cycles
Weight (g)	7.339
Customs tariff number	85369010

Electrical parameters

Rated voltage	60 V
Rated impulse voltage	1500 V
Rated current (40 °C)	4,0 A
Pollution degree	3
Overvoltage category	II
Insulating material group	II
EMC compliance	unshielded

Product data sheet

Automation technology - sensors and actuators



Product description	M8 female panel mount connector, Contacts: 4, unshielded, single wires, IP67 (snap), UL, M8x0.5
Area	M8 series 718
Part no.	09 3390 00 04

Material

Housing material	CuZn (Brass nickel plated)
Contact body material	PA black
Contact material	CuSn (bronze)
Contact plating	Au (gold)
REACH SVHC	CAS 7439-92-1 (Lead)
SCIP number	94eb2669-1c54-4a82-996b-60d514563122

Authorization/approvals

Approvals	UL
-----------	----

Classifications

eCl@ss 11.1	27-44-01-03
ETIM 7.0	EC003570

Assembly instructions / Panel cut-out

1st Installation proposal

With flats as anti-rotation device

2nd Installation proposal

With bore hole

3rd Installation proposal

With thread to screw in

thread E	A	B	C	D
M8 x 0,5	8,1	2,5	3,5	7,1
M8 x 1	8,1	2,5	3,5	7,1
M10 x 0,75	10,1	2,5	5,0	9,1

Tightening torque 1 Nm

Product description	M8 female panel mount connector, Contacts: 4, unshielded, single wires, IP67 (snap), UL, M8x0.5
Area	M8 series 718
Part no.	09 3390 00 04

General Disclaim Notice

The connectors have been developed for applications in plant engineering, control and electrical equipment construction. The user is responsible for checking whether the connectors can also be used in other areas of application.

Plug connectors with enclosure protection IP 67 and IP 68 are not suitable for use under water. When used outdoors, the plug connectors must be protected separately against corrosion. For further information on the IP protection classes, please refer to the "Technical Information" download centre.