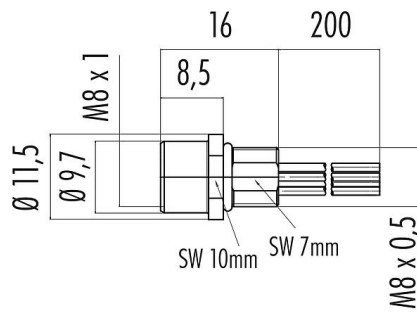


Product description	M8 Female panel mount connector, Contacts: 3, unshielded, single wires, IP67/IP69K, UL, M8x0.5
Area	M8 series 718
Part no.	09 3412 00 03

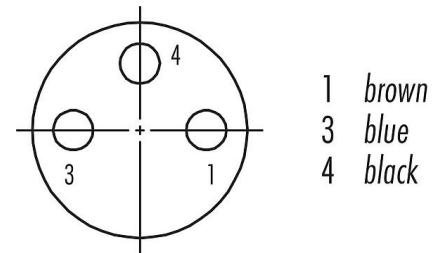
Illustration



Scale drawing



Contact arrangement (Plug-in side)



You can find the assembly instructions on the next page.

Technical data

General features

Part no.	09 3412 00 03
Connector design	Female panel mount connector
Wire length	0.2 m
Version	Connector socket straight
Connector locking system	snap-in, screw
Termination	single wires
Degree of protection	IP67/IP69K
Cross-sectional area	0.25 mm ² / AWG 24
Temperature range from/to	-40 °C / 85 °C
Mechanical operation	> 100 Mating cycles
Weight (g)	6.322
Customs tariff number	85369010

Electrical parameters

Rated voltage	60 V
Rated impulse voltage	1500 V
Rated current (40 °C)	4.0 A
Pollution degree	3
Overvoltage category	II
Insulating material group	II
EMC compliance	unshielded

Material

Housing material	CuZn (Brass nickel plated)
Contact body material	PA black
Contact material	CuSn (bronze)
Contact plating	Au (gold)

Product description **M8 Female panel mount connector, Contacts: 3, unshielded, single wires, IP67/IP69K, UL, M8x0.5**
 Area **M8 series 718**
 Part no. **09 3412 00 03**

REACH SVHC CAS 7439-92-1 (Lead)
 SCIP number d4a32b1a-c07d-4f88-b6f4-9e571722ff24

Authorization/approvals

Approvals UL

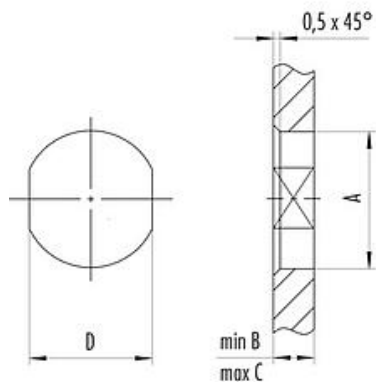
Classifications

eCl@ss 11.1 27-44-01-03
 ETIM 7.0 EC003570

Assembly instructions / Panel cut-out

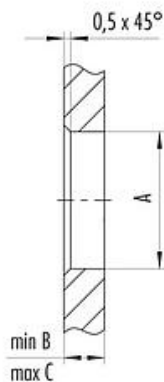
1st Installation proposal

With flats as anti-rotation device



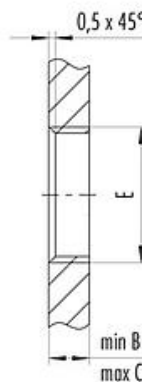
2nd Installation proposal

With bore hole



3rd Installation proposal

With thread to screw in



thread E	A	B	C	D
M8 x 0,5	8,1	2,5	3,5	7,1
M8 x 1	8,1	2,5	3,5	7,1
M10 x 0,75	10,1	2,5	5,0	9,1

Tightening torque 1 Nm

Product description	M8 Female panel mount connector, Contacts: 3, unshielded, single wires, IP67/IP69K, UL, M8x0.5
-	-
Area	M8 series 718
Part no.	09 3412 00 03

General Disclaim Notice

The connectors have been developed for applications in plant engineering, control and electrical equipment construction. The user is responsible for checking whether the connectors can also be used in other areas of application.

Plug connectors with enclosure protection IP67 and IP68 are not suitable for use under water. When used outdoors, the plug connectors must be protected separately against corrosion. For further information on the IP protection classes, please refer to the "Technical Information" download centre.