

# Product data sheet

## Subminiature connectors



Product description **Bayonet Male panel mount connector, Contacts: 7, unshielded, solder, IP40**

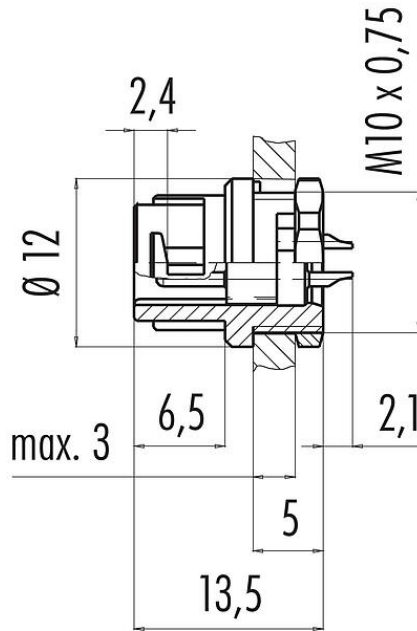
Area **Bayonet series 710**

Part no. **09 9477 00 07**

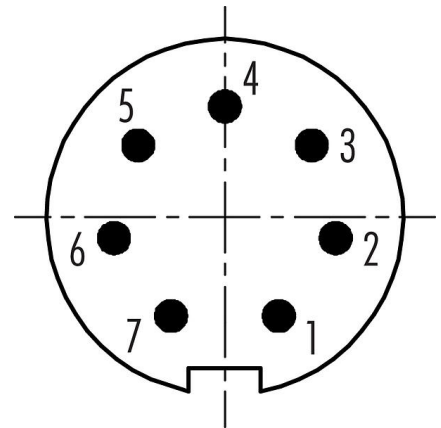
### Illustration



### Scale drawing



### Contact arrangement (Plug-in side)



You can find the component part drawing and assembly instructions on the next page.

### Technical data

#### General features

Part no.	<b>09 9477 00 07</b>
Connector design	Male panel mount connector
Version	Connector pin straight
Connector locking system	Bayonet
Termination	solder
Degree of protection	IP40
Cross-sectional area	0.14 mm <sup>2</sup> / AWG 26
Temperature range from/to	-40 °C / 85 °C
Mechanical operation	> 500 Mating cycles
Weight (g)	1.70
Customs tariff number	85369010

#### Electrical parameters

Rated voltage	125 V
Rated impulse voltage	1500 V
Rated current (40 °C)	1.0 A
Insulation resistance	≥ 10 <sup>10</sup> Ω
Pollution degree	1

# Product data sheet

## Subminiature connectors

Product description **Bayonet Male panel mount connector, Contacts: 7, unshielded, solder, IP40**

Area **Bayonet series 710**  
Part no. **09 9477 00 07**

Overvoltage category II  
Insulating material group III  
EMC compliance unshielded

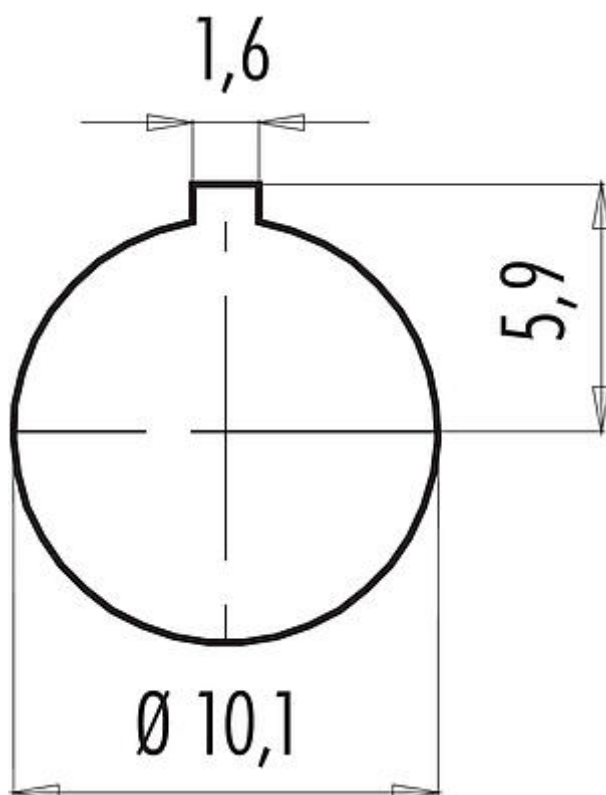
### Material

Housing material PA  
Contact body material PA (UL94 V-0)  
Contact material CuZn (brass)  
Contact plating Au (gold)  
REACH SVHC CAS 7439-92-1 (Lead)  
SCIP number SCIP-number not available

### Classifications

eCl@ss 11.1 27-44-01-09  
ETIM 7.0 EC003569

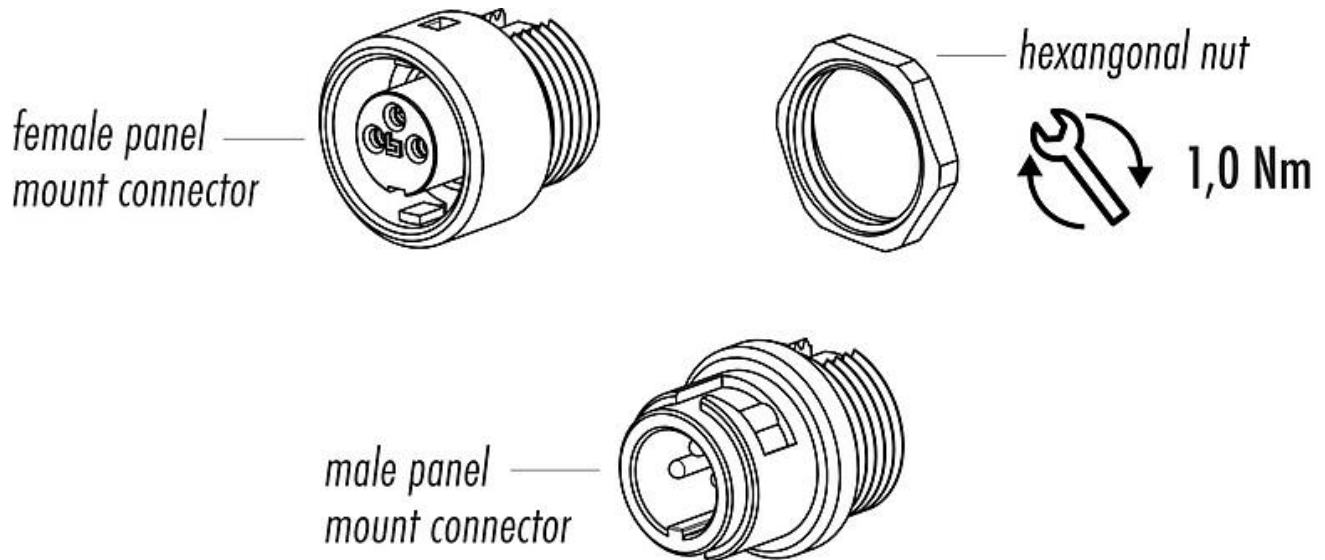
### Assembly instructions / Panel cut-out



Product description **Bayonet Male panel mount connector, Contacts: 7, unshielded, solder, IP40**

Area **Bayonet series 710**  
Part no. **09 9477 00 07**

**Component part drawing**



Product description	<b>Bayonet Male panel mount connector, Contacts: 7, unshielded, solder, IP40</b>
Area	<b>Bayonet series 710</b>
Part no.	<b>09 9477 00 07</b>

### **General Disclaim Notice**

The connector must not be plugged or unplugged under load. Non-observance and improper use can result in personal injury.

The connectors have been developed for applications in plant engineering, control and electrical equipment construction. The user is responsible for checking whether the connectors can also be used in other areas of application.