

# Product data sheet

## Subminiature connectors

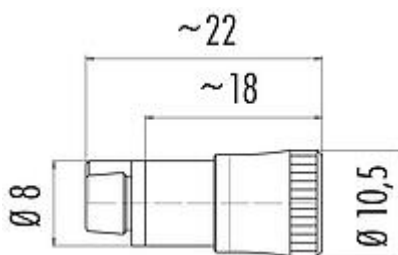


Product description	Snap-In IP40 Female cable connector, Contacts: 4, 2.5-4.0 mm, unshielded, solder, IP40
Area	Snap-In IP40 series 719
Part no.	09 9764 70 04

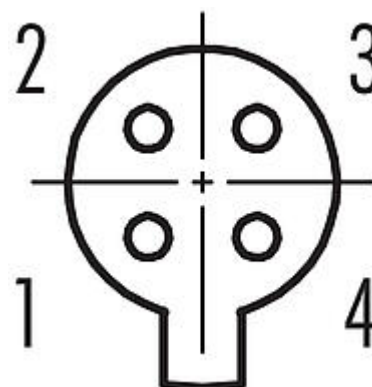
### Illustration



### Scale drawing



### Contact arrangement (Plug-in side)



You can find the assembly instructions on the next page.

## Technical data

### General features

Part no.	09 9764 70 04
Connector design	Female cable connector
Version	Connector socket straight
Connector locking system	snap-in
Termination	solder
Degree of protection	IP40
Cross-sectional area	0.25 mm <sup>2</sup> / AWG 24
Cable outlet	2.5-4.0 mm
Temperature range from/to	-25 °C / 70 °C
Tightening torque sleeve	0.2 Nm
Tightening torque pressing screw	0.8-1.0 Nm
Mechanical operation	> 100 Mating cycles
Weight (g)	1.30
Customs tariff number	85369010

### Electrical parameters

Rated voltage	60 V
Rated impulse voltage	800 V
Rated current (40 °C)	3,0 A
Insulation resistance	≥ 10 <sup>10</sup> Ω
Pollution degree	1
Overvoltage category	II

# Product data sheet

## Subminiature connectors

Product description Snap-In IP40 Female cable connector, Contacts: 4, 2.5-4.0 mm, unshielded, solder, IP40

Area Part no. Snap-In IP40 series 719  
09 9764 70 04

Insulating material group III  
EMC compliance unshielded

### Material

Housing material PA  
Contact body material PA  
Contact material CuSn (bronze)  
Contact plating Au (gold)  
REACH SVHC CAS 7439-92-1 (Lead)  
SCIP number SCIP-number not available

### Classifications

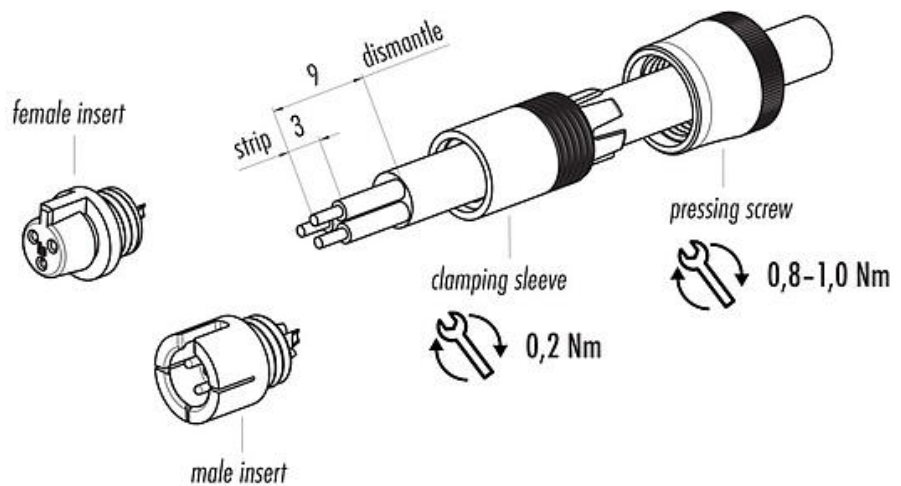
eCl@ss 11.1 27-44-01-09  
ETIM 7.0 EC003569

### Declarations of conformity

Low Voltage Directive 2014/35/EU (EN 60204-1:2018;EN 60529:1991)

### Assembly instructions

1. Bead pressing screw and clamping sleeve to cable.
2. Dismantle cable to 9 mm length.
3. Strip and solder single wires.
4. Screw on clamping sleeve.
5. Tighten pressing screw.



# Product data sheet

## Subminiature connectors



Product description	Snap-In IP40 Female cable connector, Contacts: 4, 2.5-4.0 mm, unshielded, solder, IP40
Area	Snap-In IP40 series 719
Part no.	09 9764 70 04

### General Disclaim Notice

The connectors have been developed for applications in plant engineering, control and electrical equipment construction. The user is responsible for checking whether the connectors can also be used in other areas of application.