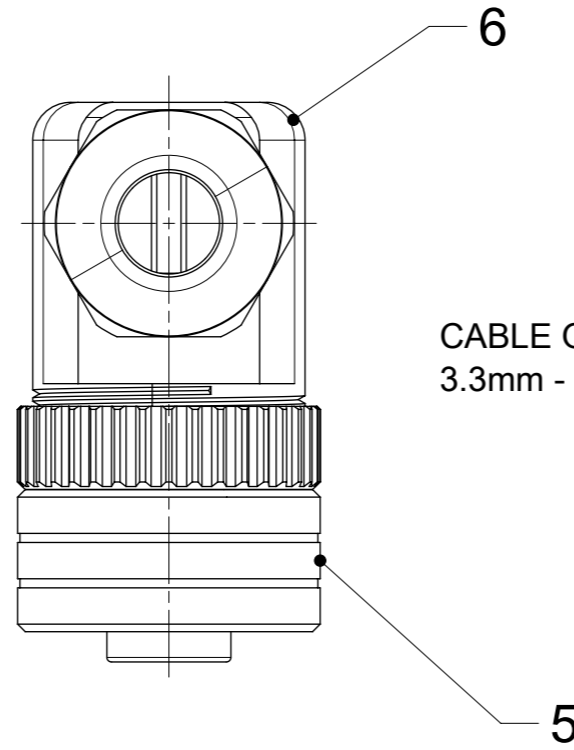
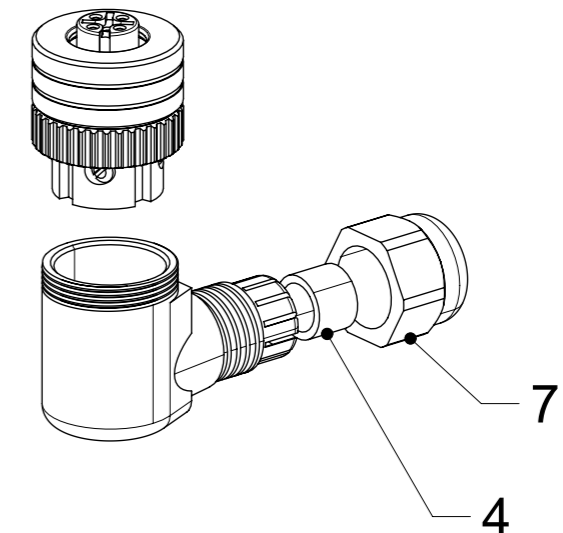
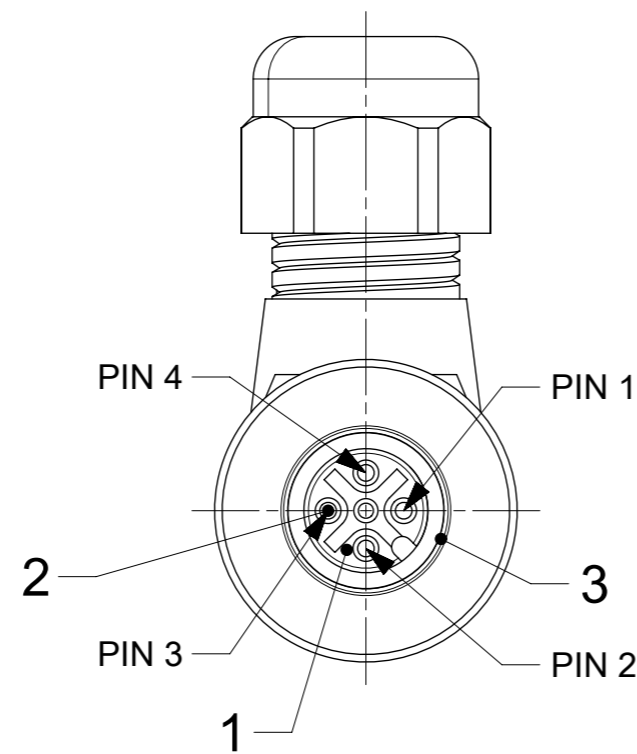
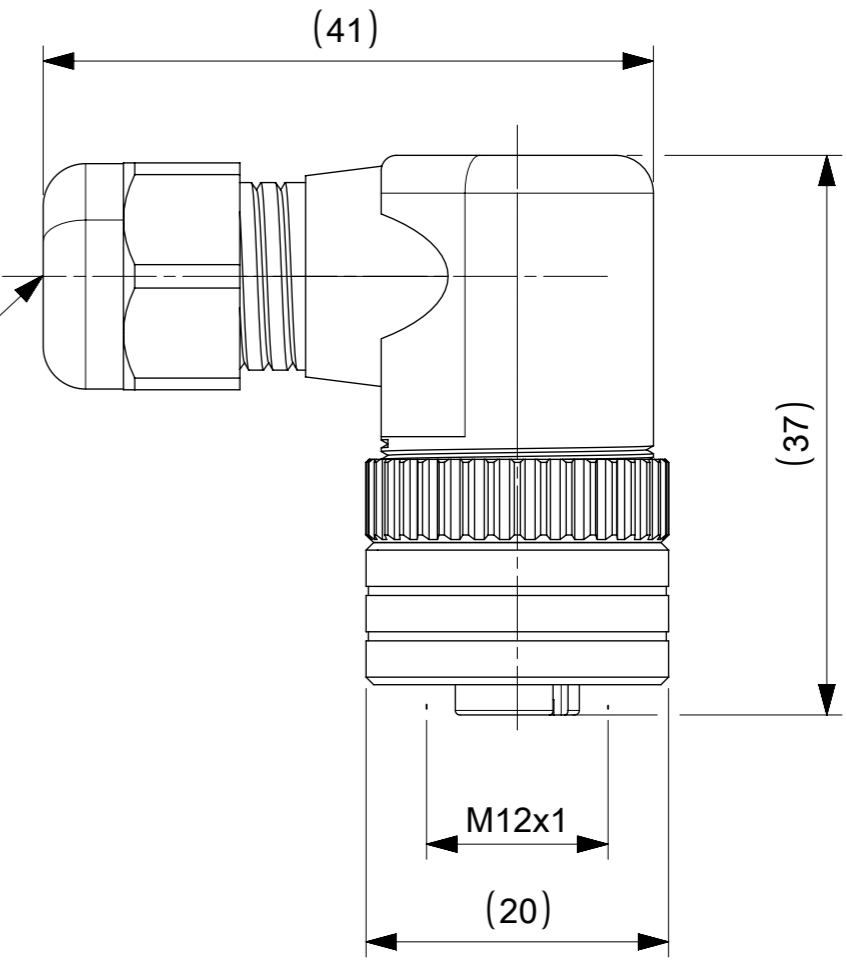


NOTES :

VOLTAGE RATING : 250V AC/ 300V DC
 AMPERAGE RATING : 4 AMPS
 PROTECTION : IP67
 OPERATING TEMP : -25°C TO +90°C
 CSA CERTIFACTIONS : CSA CERTIFIED ,
 FILE No. LR6837



CABLE O.D RANGE
 3.3mm - 6.6mm



SCALE 1:1

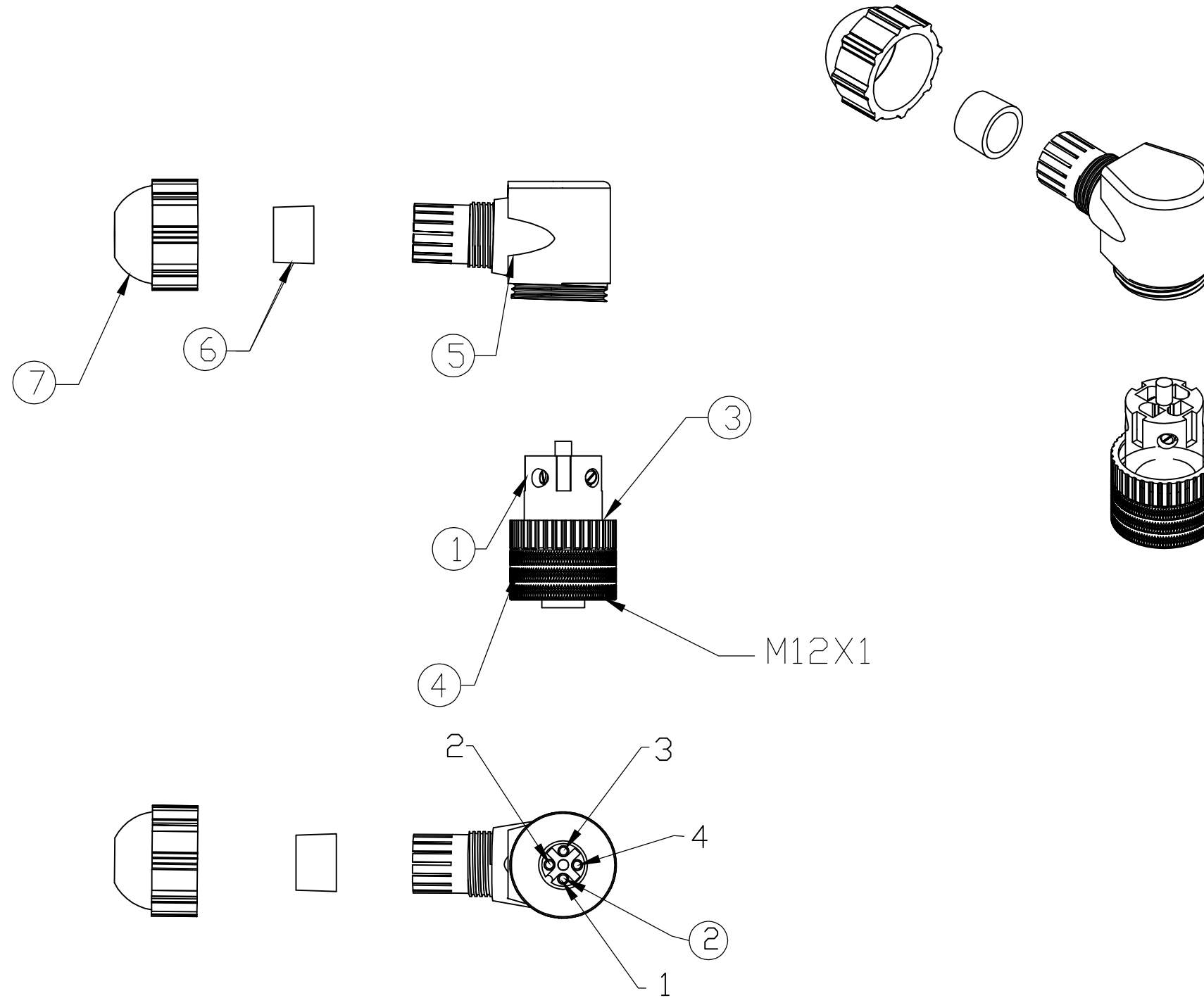
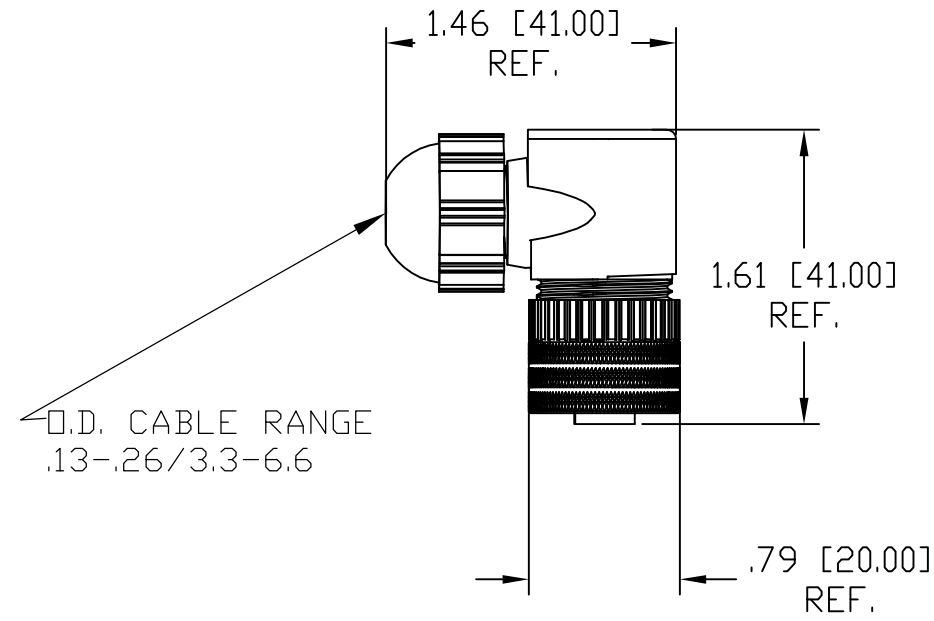
ENG No. 8A4001-31

BOM				
ITEM	QTY.	DESCRIPTION	MATERIAL	COLOR/FINISH
1	1	INSERT	PA	BLACK
2	4	CONTACTS	COPPER ALLOY	SILVER PLATED
3	1	O-RING	NITRILE	BLACK
4	1	GROMMET	CR/NBR	BLACK
5	1	COUPLING NUT	BRASS	Ni-PLATED
6	-	OVERMOULD	PA	BLACK
7	1	HUT NUT	PA	BLACK

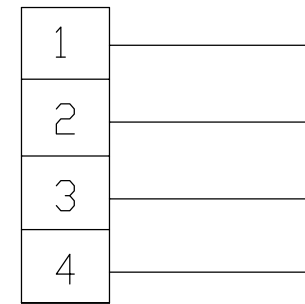
DOCUMENT STATUS	P1	RELEASE DATE	2021/04/06	07:46:58
-----------------	----	--------------	------------	----------

FUNCTIONAL SYMBOLS $\nabla_A = 0$ $\nabla_E = 0$ $\nabla_F = 0$	THIS DRAWING CONTAINS INFORMATION THAT IS PROPRIETARY TO MOLEX ELECTRONIC TECHNOLOGIES, LLC AND SHOULD NOT BE USED WITHOUT WRITTEN PERMISSION	SCALE	2:1	CURRENT REV DESC: EC NO: 659361 DRWN: SSM CHK'D: RSILLER APPR: RSILLER INITIAL REVISION: DRWN: SSM APPR: RSILLER				
	DIMENSION UNITS	mm						2021/03/22
	GENERAL TOLERANCES (UNLESS SPECIFIED)				2021/04/06	PRODUCT CUSTOMER DRAWING		
	ANGULAR TOL ± 0.5°				2021/04/06	DOCUMENT NUMBER	DOC TYPE	DOC PART
DIVISIONAL SYMBOLS	4 PLACES ±			1200710037	PSD	000	A	
	3 PLACES ±			MATERIAL NUMBER			CUSTOMER	
	2 PLACES ± 0.05			1200710037	GENERAL MARKET		SHEET NUMBER	
	1 PLACE ± 0.1			SERIES			1 OF 1	
	0 PLACES ± 0.5			DRAWING				
DRAFT WHERE APPLICABLE MUST REMAIN WITHIN DIMENSIONS		THIRD ANGLE PROJECTION		A3-SIZE	120071			

MATERIAL NUMBER	ENGINEERING NUMBER
1200710037	8A4001-31



FEMALE FACE VIEW



WIRING CHART

VOLTAGE RATING	250VAC/300VDC
AMPERAGE RATING	4 AMPS
PROTECTION	IP67
OPERATING TEMPERATURE	-25°C TO 90°C
CSA CERTIFICATIONS	CSA CERTIFIED, FILE NO. LR6837

ITEM		COMPONENT	MATERIAL	FINISH
1	1	INSERT	POLYAMIDE	BLACK
2	4	CONTACTS	COPPER ALLOY	SILVER PLATED
3	1	O-RING	NITRILE	BLACK
4	1	COUPLING NUT	BRASS	NICKEL PLATED
5	1	MOLDED BODY	POLYAMIDE	BLACK
6	1	GROMMET	NITRILE	BLACK
7	1	CORD GRIP BODY	POLYAMIDE	BLACK

RELEASE EC NO: WEU2010-0045 DRWN: TWOLDEGE 8/18/09 CH'KD: BWOODMAN APPR: JFMURPHY 2009/08/21	DESCRIPTION REV	QUALITY SYMBOL	GENERAL TOLERANCES (UNLESS SPECIFIED)	DIMENSION STYLE	SCALE	DESIGN UNITS	THIRD ANGLE PROJECTION	
		$\nabla=0$ $\sphericalangle=0$	4 PLACES ±--- 3 PLACES ±--- 2 PLACES ±--- 1 PLACE ±0.3	mm INCH ±--- ±--- ±--- ±--- ±--- ±0.1 ±--- ±---	DRAWN BY DATE TWOLDEGE 2009/08/18 CHECKED BY DATE BWOODMAN 2009/08/18 APPROVED BY DATE	TITLE MIC 4P FEMALE ATTACH 90D .13-.26 O.D. CABLE RANGE PG7 CABLE FITTING	MOLEX MOLEX INCORPORATED	SHEET NO. 1 OF 1
		DRAFT WHERE APPLICABLE MUST REMAIN WITHIN DIMENSIONS	MATERIAL NO. 1200710037	DOCUMENT NO. SD-120071-011	THIS DRAWING CONTAINS INFORMATION THAT IS PROPRIETARY TO MOLEX INCORPORATED AND SHOULD NOT BE USED WITHOUT WRITTEN PERMISSION			
		SIZE C						