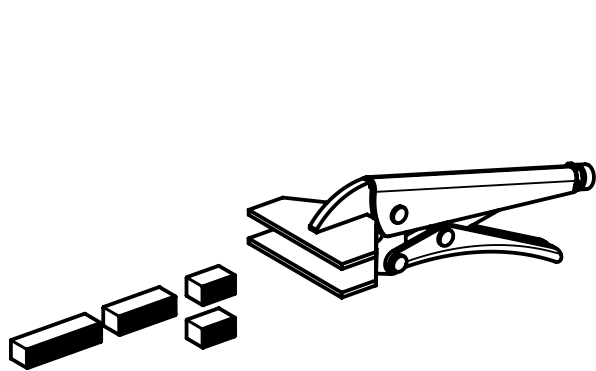
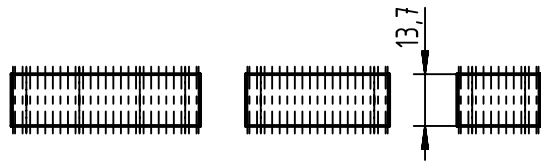
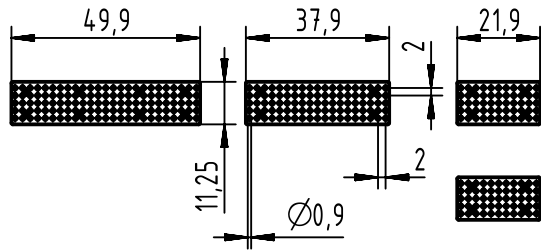
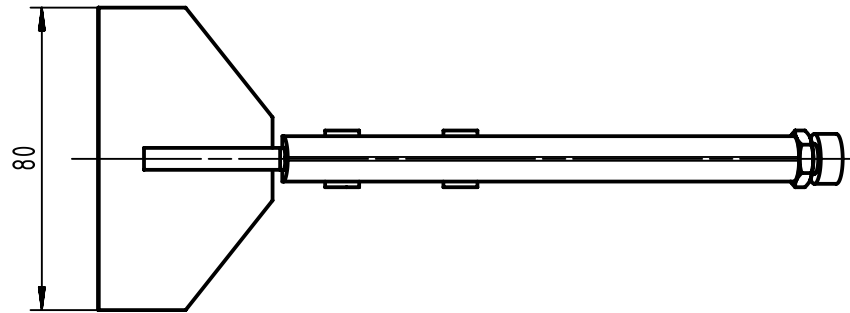
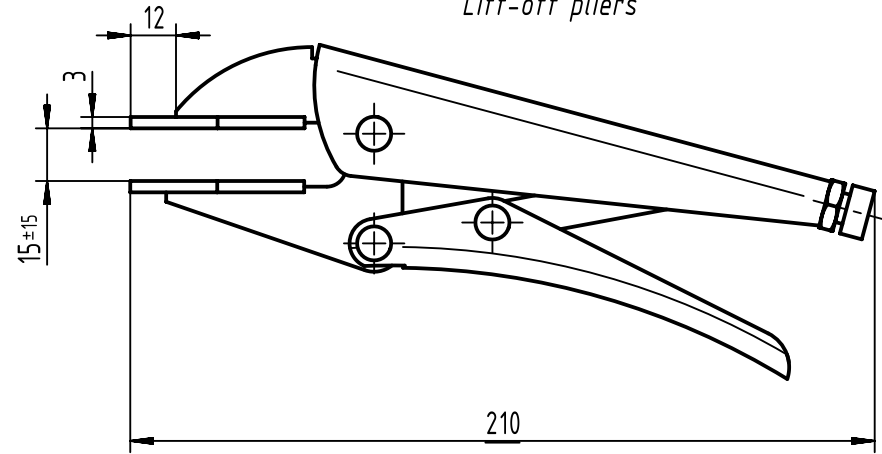


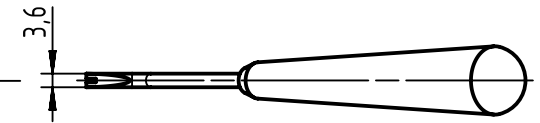
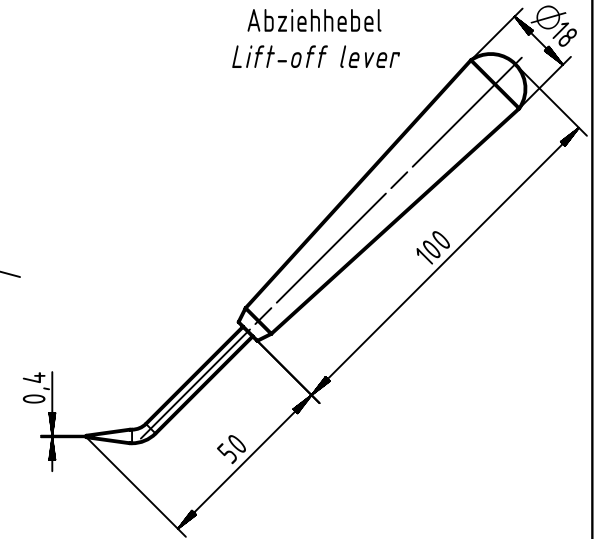
Shroudeinsätze
Inserts for shrouds



Abziehzange
Lift-off pliers



Abziehhebel
Lift-off lever



	All Dimensions in mm Original Size DIN A4		Scale 1:2	Free size tol.		Ref. Sub. Mod. 30081 Detail 13.08.01	
	All rights reserved Department EL PD		Created by WAERMKER	Inspected by HAERTLING	Standardisation HOFFMANN	Date 2018-07-10	State Final Release
HARTING Electronics GmbH D-32339 Espelkamp			Title har-bus HM. Tool kit shroud removal			Doc-Key / ECM-Nr. 100104968/UGD/002/B 500000137467	
			Type TB	Number 17990000095		Rev. B	Page 1/1