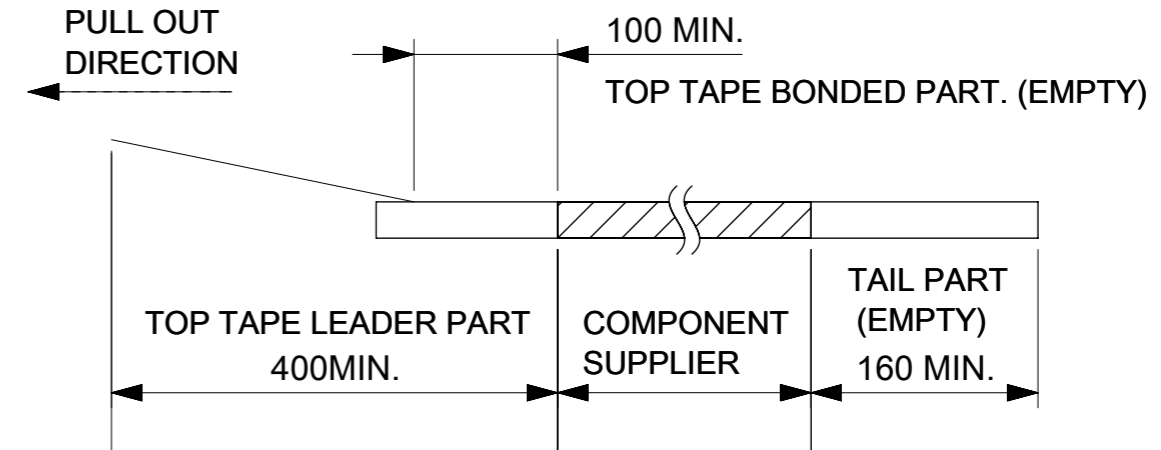
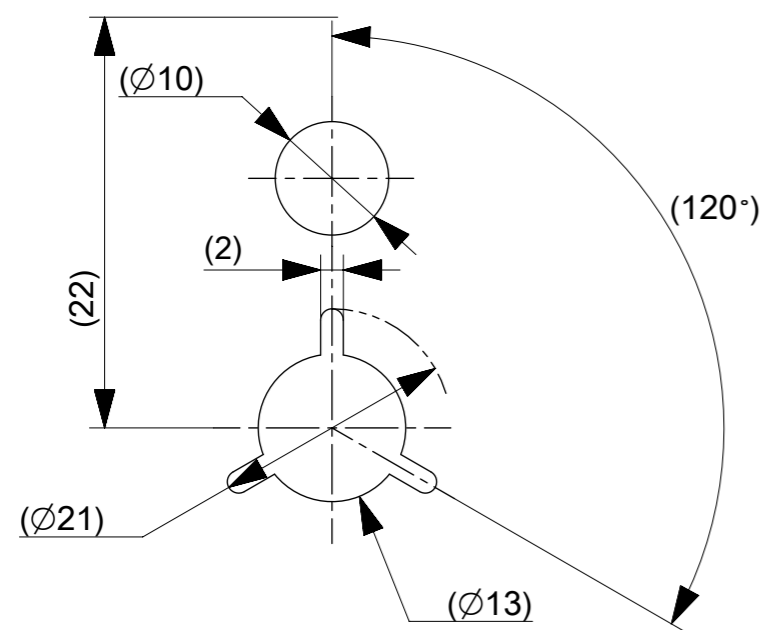


NOTES

1. RE DETAILED DIMENSION, SEE PRODUCT DRAWING.
2. NUMBER OF CONNECTORS : 20000PCS/REEL
3. LEAD TAPE LENGTH.

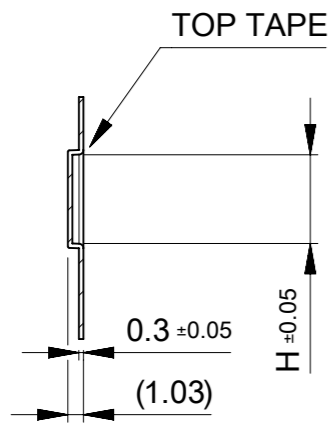


4. PEELING OFF FORCE OF THE TOP TAPE IS DEFINED BY IEC60286-3.
5. MATERIAL  
 CARRIER TAPE : POLYSTYRENE OR PET  
 TOP TAPE : PET , OTHER  
 REEL : POLYSTYRENE (PS) < RECYCLE MATERIAL CONTAINED >
6. ELV AND RoHS COMPLIANT  
 △7 CONFORM TO 2033899200-SPK\_PS200 FOR PACKAGING SPECIFICATION.  
 △8 CONFORM TO 2033899200-SPK\_PS201 FOR PACKAGING SPECIFICATION.

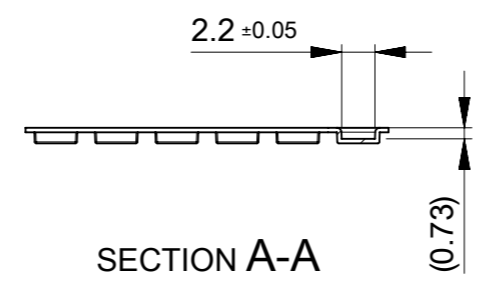
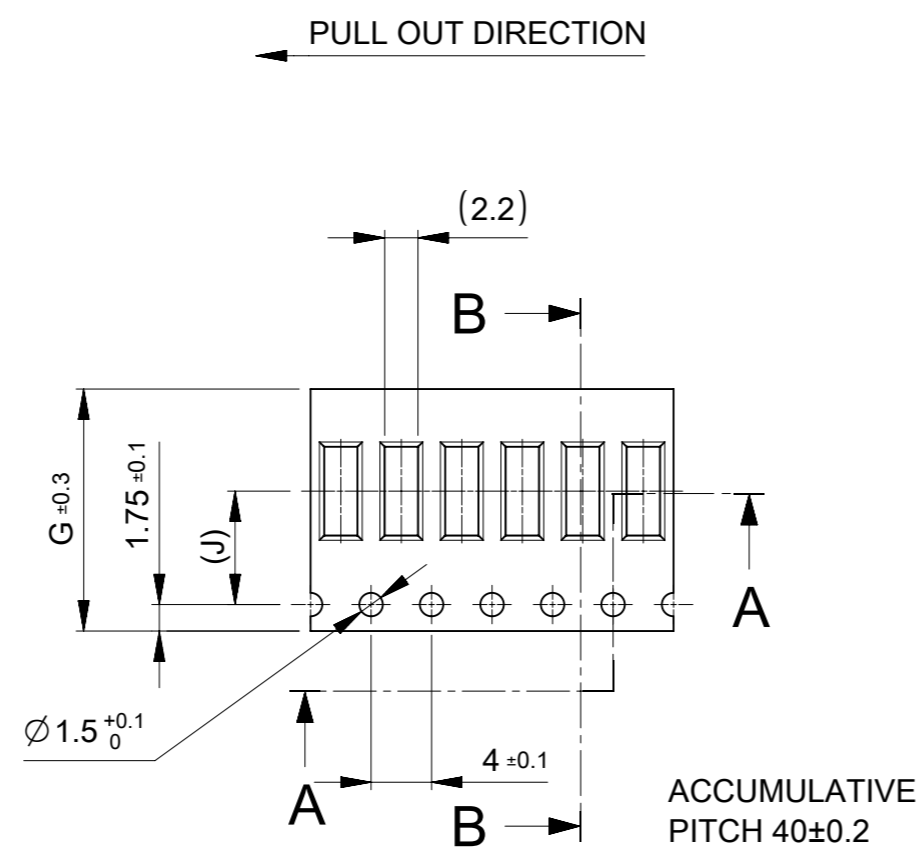


DETAIL "D"

THIS DRAWING CONTAINS INFORMATION THAT IS PROPRIETARY TO MOLEX ELECTRONIC TECHNOLOGIES, LLC AND SHOULD NOT BE USED WITHOUT WRITTEN PERMISSION													
DIMENSION UNITS		SCALE		CURRENT REV DESC:				<b>molex</b>					
mm		1:1											
GENERAL TOLERANCES (UNLESS SPECIFIED)				EC NO: 725424 DRWN: AISHII 2022/10/20 CHK'D: YKOBAYASHI02 2022/10/20 APPR: KSASAKI 2022/10/21 INITIAL REVISION: DRWN: DGONDO 2020/06/25 APPR: YKOBAYASHI02 2020/07/07				0.175BB H=0.6 QUADROW REC EMBS PACKAGE					
ANGULAR TOL ± 3.0 °								PRODUCT CUSTOMER DRAWING					
4 PLACES ± 0.03		3 PLACES ± 0.03						DOCUMENT NUMBER		DOC TYPE		DOC PART	
2 PLACES ± 0.05		1 PLACE ± 0.1						2033890000-SD		PSD		000	
0 PLACES ± 0.2		DRAFT WHERE APPLICABLE MUST REMAIN WITHIN DIMENSIONS						SERIES		MATERIAL NUMBER		CUSTOMER	
		THIRD ANGLE PROJECTION						A3-SIZE		203389		SEE CHART	
						GENERAL		1 OF 2					



SECTION B-B

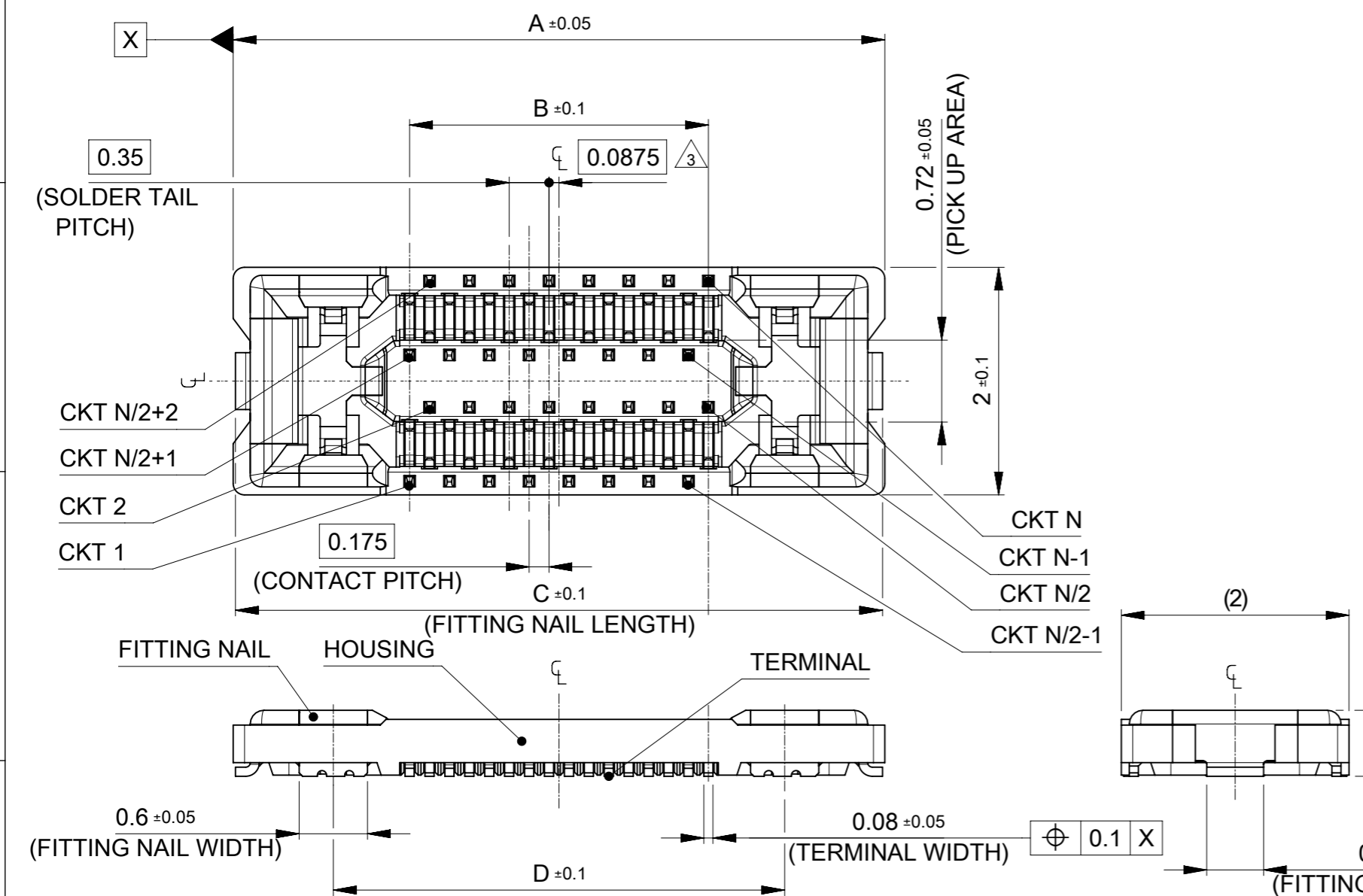


SECTION A-A

7.5	6.215	16	21.4	17.4	2033890363	2033890361	36
7.5	5.865	16	21.4	17.4	2033890323	2033890321	32
J	H	G	F	E	ORDER NO.	ORDER NO.	CIRCUIT
					PACKAGING SPEC: $\triangle_8$	PACKAGING SPEC: $\triangle_7$	

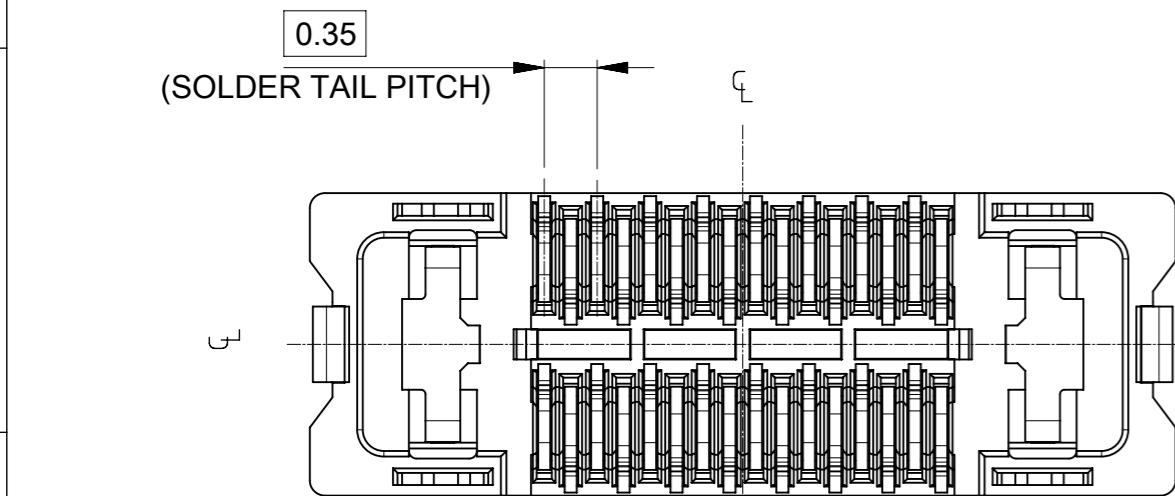
CONNECTOR SERIES No. 2033890\*\*\*

THIS DRAWING CONTAINS INFORMATION THAT IS PROPRIETARY TO MOLEX ELECTRONIC TECHNOLOGIES, LLC AND SHOULD NOT BE USED WITHOUT WRITTEN PERMISSION									
DIMENSION UNITS		SCALE		CURRENT REV DESC:				<b>molex</b>	
mm		2:1							
GENERAL TOLERANCES (UNLESS SPECIFIED)									
ANGULAR TOL ± 3.0 °									
4 PLACES		± 0.03		EC NO: 725424		2022/10/20		0.175BB H=0.6 QUADROW REC EMBS PACKAGE	
3 PLACES		± 0.03		DRWN: AISHII		2022/10/20			
2 PLACES		± 0.05		CHK'D: YKOBAYASHI02		2022/10/20		PRODUCT CUSTOMER DRAWING	
1 PLACE		± 0.1		APPR: KSASAKI		2022/10/21			
0 PLACES		± 0.2		INITIAL REVISION:				DOCUMENT NUMBER	
				DRWN: DGONDO		2020/06/25			
				APPR: YKOBAYASHI02		2020/07/07		2033890000-SD	
DRAFT WHERE APPLICABLE MUST REMAIN WITHIN DIMENSIONS		THIRD ANGLE PROJECTION		DRAWING		SERIES		MATERIAL NUMBER	
				A3-SIZE		203389		SEE CHART	
				CUSTOMER		GENERAL		SHEET NUMBER	
								2 OF 2	



NOTES

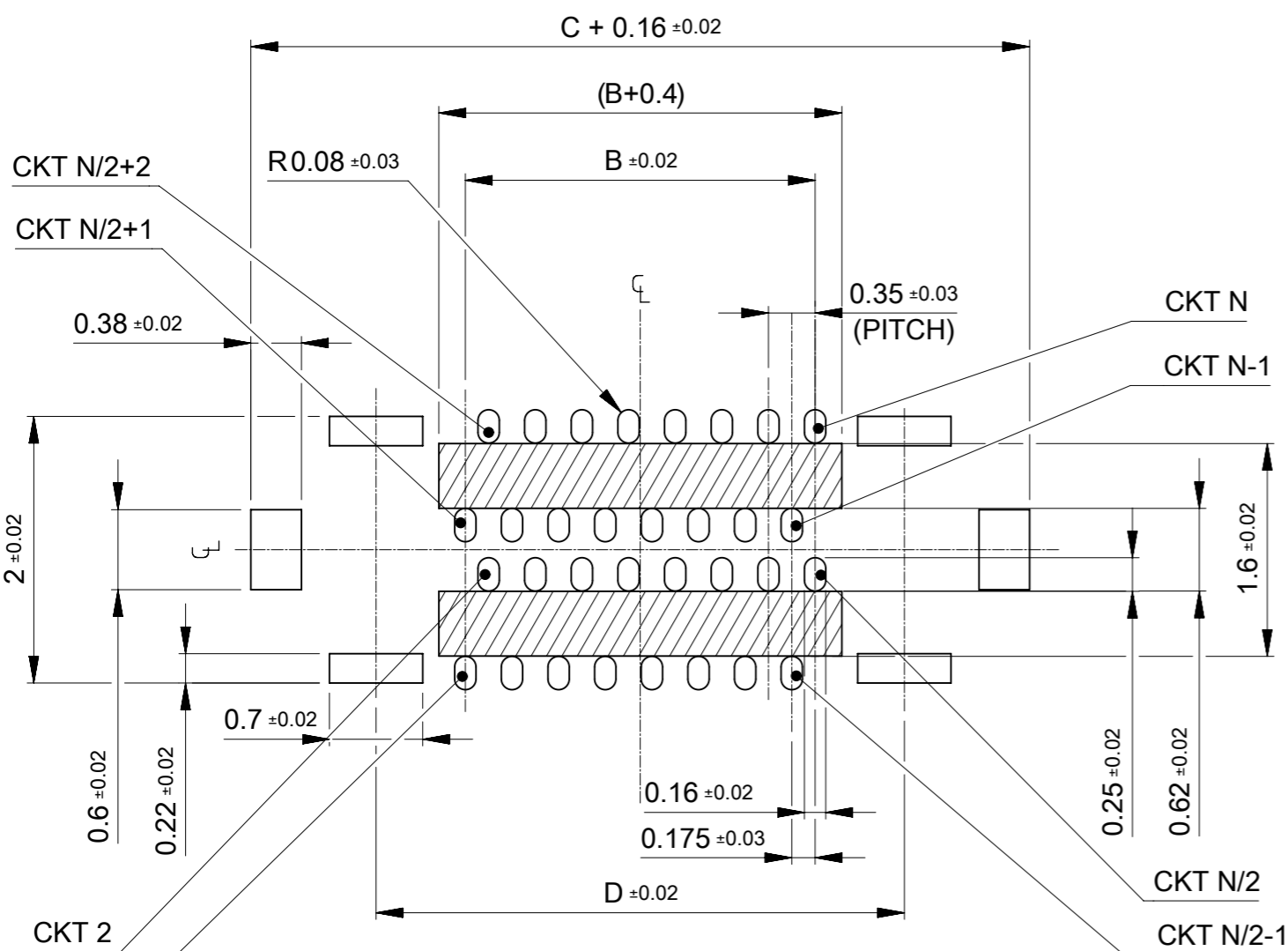
- MATERIAL  
 HOUSING : LIQUID CRYSTAL POLYMER UL94V-0(COLOR : BLACK)  
 TERMINAL : COPPER ALLOY  
 FITTING NAIL : COPPER ALLOY
  - PLATING  
 TERMINAL  
 CONTACT AREA : GOLD 0.1 μm MIN.  
 TAIL AREA : GOLD 0.05 μm MIN.  
 UNDER PLATING : NICKEL 1.0 μm MIN.  
 \*DIVIDE INTO PARTS THE GOLD PLATING OF CONTACT AND THE TAIL PART BY THE NICKEL PLATING.  
 \*EITHER GOLD OR NICKEL PLATING IS ACCEPTABLE IN THE AREA WHICH IS NOT SPECIFIED AS CONTACT , TAIL OR NICKEL BARRIER.  
 FITTING NAIL  
 CONTACT AREA : GOLD 0.1 μm MIN.  
 TAIL AREA : GOLD 0.05 μm MIN.  
 UNDER PLATING : NICKEL 1.0 μm MIN.  
 \*DIVIDE INTO PARTS THE GOLD PLATING OF CONTACT AND THE TAIL PART BY THE NICKEL PLATING.  
 \*EITHER GOLD OR NICKEL PLATING IS ACCEPTABLE IN THE AREA WHICH IS NOT SPECIFIED AS CONTACT , TAIL OR NICKEL BARRIER.
- △3 APPLY FOR (CIRCUIT/4)=EVEN  
 4. MATE WITH : 2033900\*\*1, 2033900\*\*3  
 5. TAIL AND FITTING NAIL COPLANARITY TO BE 0.08mm MAXIMUM.  
 △6 CONFORM TO 2033899200-SPK\_PS200 FOR PACKAGING SPECIFICATION.  
 △7 CONFORM TO 2033899200-SPK\_PS201 FOR PACKAGING SPECIFICATION.



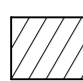
4.315	6.035	2.975	6.075	2033890363	2033890361	36
3.965	5.685	2.625	5.725	2033890323	2033890321	32
D	C	B	A	EMBOSSED TAPE PACKAGE	EMBOSSED TAPE PACKAGE	CIRCUIT
				ORDER No.	ORDER No.	
				PACKAGING SPEC: △7	PACKAGING SPEC: △6	

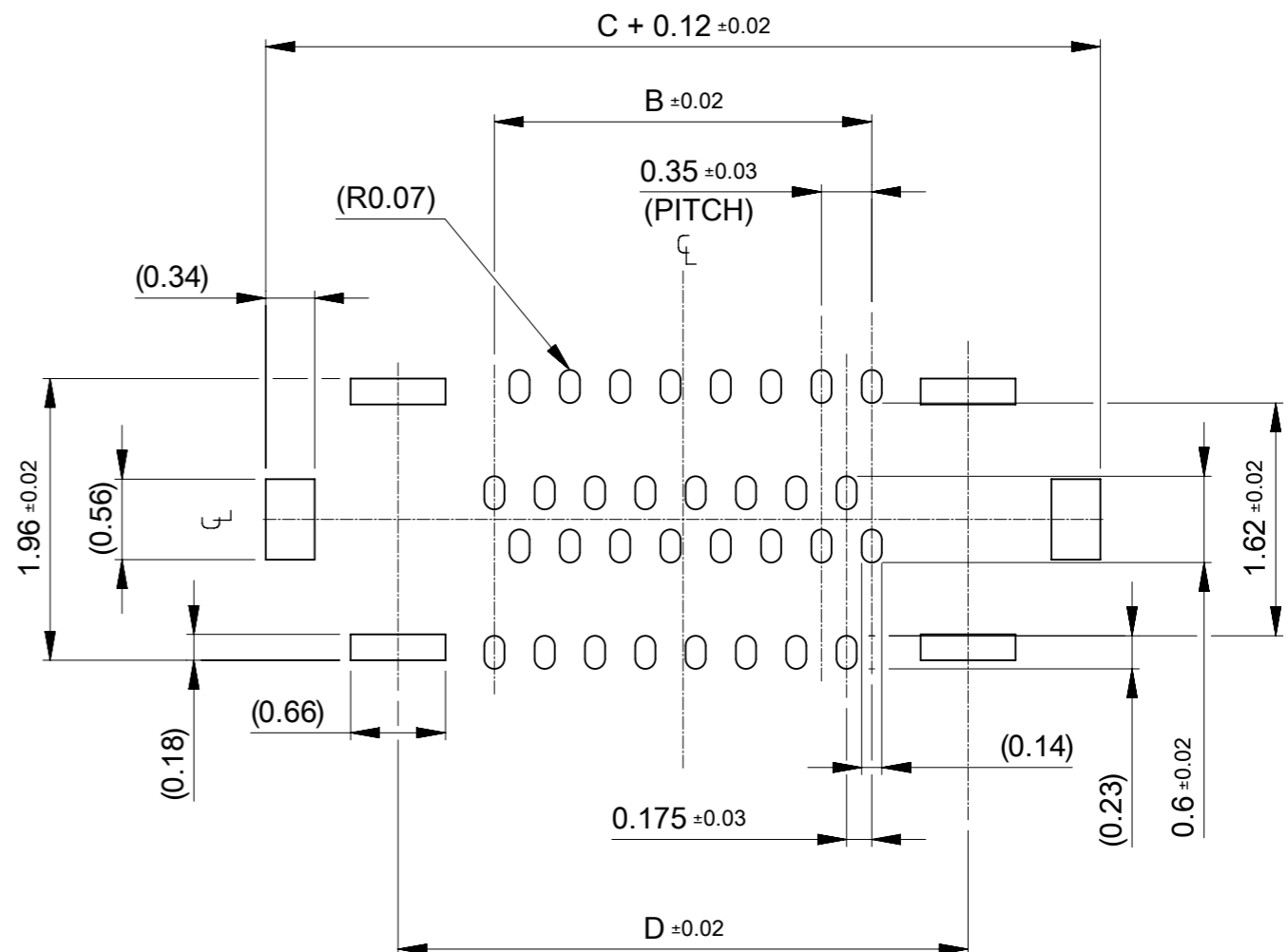
CONNECTOR SERIES No. : 2033891\*\*1

THIS DRAWING CONTAINS INFORMATION THAT IS PROPRIETARY TO MOLEX ELECTRONIC TECHNOLOGIES, LLC AND SHOULD NOT BE USED WITHOUT WRITTEN PERMISSION		CURRENT REV DESC:		<b>molex</b>	
DIMENSION UNITS	SCALE				
mm	20:1			0.175 BB H=0.6 QUAD ROW REC ASSY	
GENERAL TOLERANCES (UNLESS SPECIFIED)				PRODUCT CUSTOMER DRAWING	
ANGULAR TOL	± 3.0 °			DOCUMENT NUMBER	
4 PLACES	± 0.03	EC NO: 725424		2033891000-SD	
3 PLACES	± 0.03	DRWN: AISHII		DOC TYPE	
2 PLACES	± 0.05	CHK'D: YKOBAYASHI02		DOC PART	
1 PLACE	± 0.1	APPR: KSASAKI		REVISION	
0 PLACES	± 0.2	INITIAL REVISION:		000	
DRAFT WHERE APPLICABLE MUST REMAIN WITHIN DIMENSIONS		THIRD ANGLE PROJECTION		CUSTOMER	
		DRAWING		GENERAL	
		SERIES		SHEET NUMBER	
		A3-SIZE		1 OF 2	
		203389			
		MATERIAL NUMBER			
		SEE CHART			



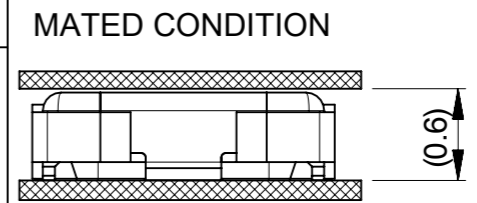
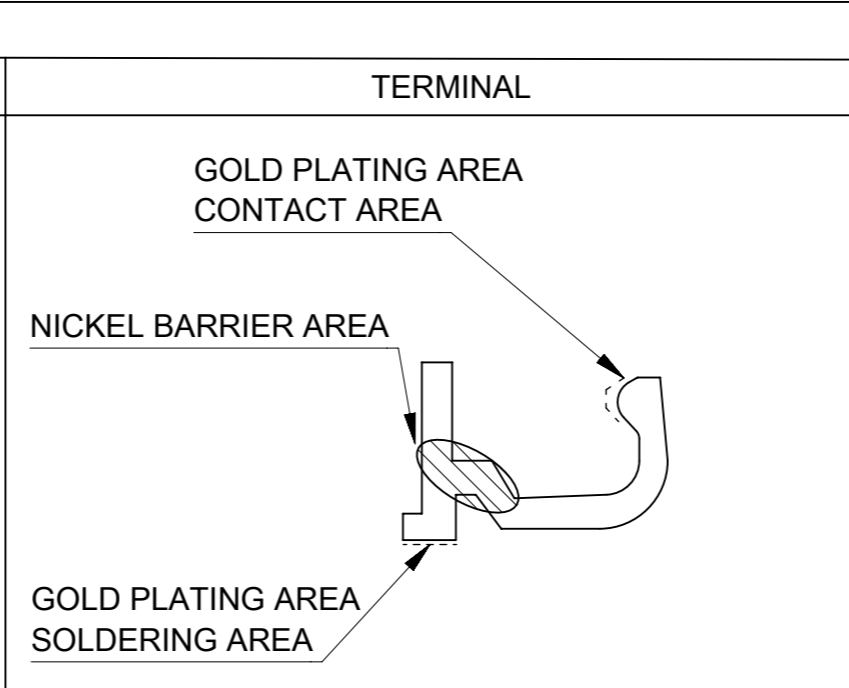
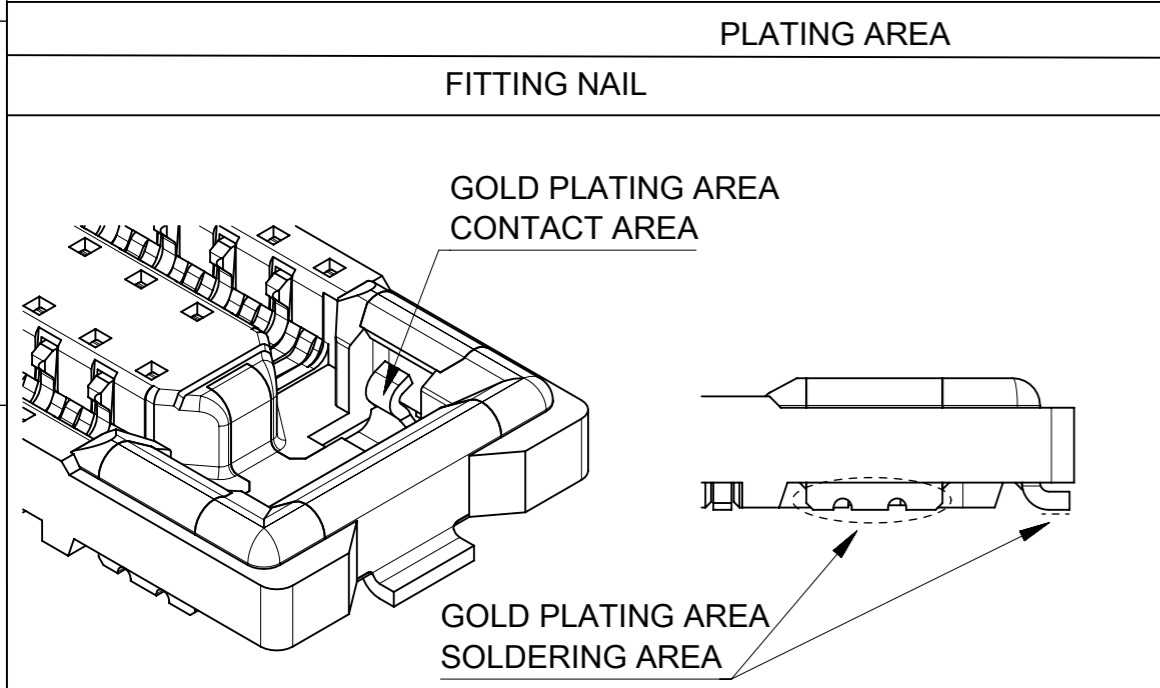
RECOMMENDED P.W. BOARD PATTERN LAYOUT (REFERENCE)  
(SM OPENING DIMENSION)

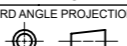
 SOLDERING PROHIBITED AREA  
WHEN WIRING IS LOCATED,  
THE WIRING MUST BE MASKED BY COVER LAY OR RESIST FILM.



RECOMMENDED METAL MASK LAYOUT (REFERENCE)

RECOMMENDED THICKNESS OF METAL MASK : t=0.08mm  
RECOMMENDED OPEN APERTURE RATIO OF METAL MASK : 80%



THIS DRAWING CONTAINS INFORMATION THAT IS PROPRIETARY TO MOLEX ELECTRONIC TECHNOLOGIES, LLC AND SHOULD NOT BE USED WITHOUT WRITTEN PERMISSION									
DIMENSION UNITS		SCALE		CURRENT REV DESC:					
mm		20:1							
GENERAL TOLERANCES (UNLESS SPECIFIED)									
ANGULAR TOL ± 3.0°									
4 PLACES ± 0.03									
3 PLACES ± 0.03									
2 PLACES ± 0.05									
1 PLACE ± 0.1									
0 PLACES ± 0.2									
DRAFT WHERE APPLICABLE MUST REMAIN WITHIN DIMENSIONS				THIRD ANGLE PROJECTION		DRAWING		SERIES	
						A3-SIZE		203389	
DOCUMENT STATUS				P1		RELEASE DATE		2022/10/21 00:54:55	
EC NO: 725424				DRWN: AISHII		2022/10/20		2022/10/20	
CHK'D: YKOBAYASHI02				APPR: KSASAKI		2020/07/07		2022/10/21	
INITIAL REVISION:				DRWN: DGONDO		2020/06/25		2020/07/07	
APPR: YKOBAYASHI02				DOCUMENT NUMBER		DOC TYPE		DOC PART	
				2033891000-SD		PSD		000	
				CUSTOMER		GENERAL		SHEET NUMBER	
				SEE CHART		GENERAL		2 OF 2	