

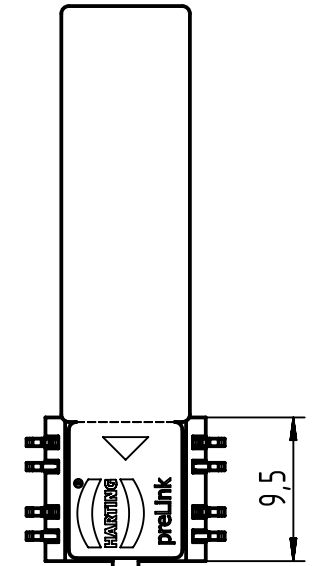
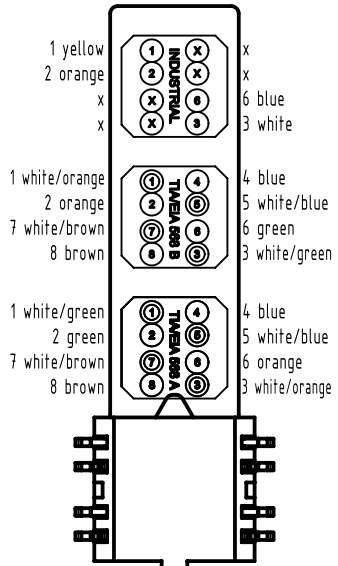
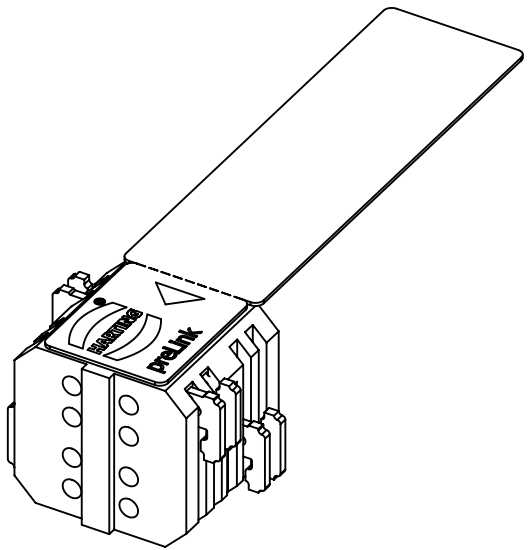
1 2 3 4 5 6

A

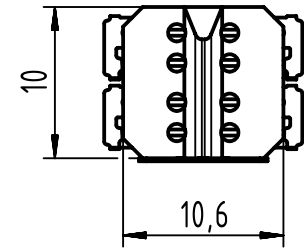
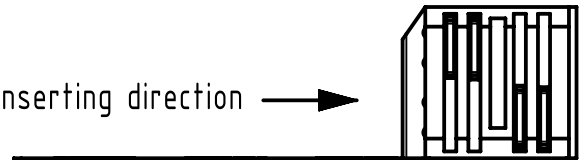
B

C

D



Wire inserting direction →



for wire gauge AWG 26-27

	All rights reserved Department EC PD - RO	All Dimensions in mm Original Size DIN A4		Scale 2:1	Free size tol.		Ref.	
		Created by POPESCUD	Inspected by PRIESTER	Standardisation HOFFMANN	Date 2017-11-27	State Final Release		
HARTING Electronics GmbH D-32339 Espelkamp		Title preLink Terminal mod AWG26/27 white 1-10					Doc-Key / ECM-Nr. 100195283/UGD/004/D 500000128437	
		Type TB	Number 20820000003			Rev. D	Page 1/1	