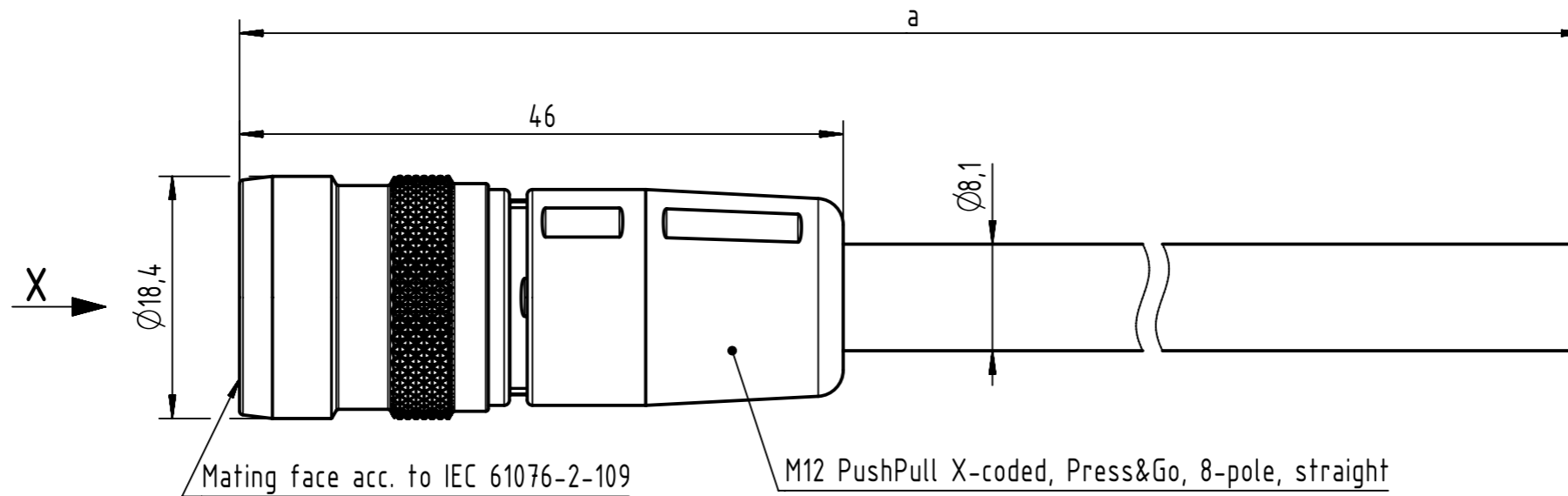


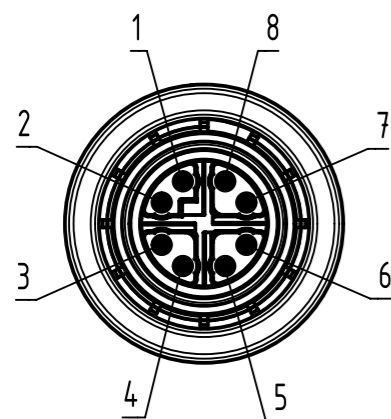
Connector Location A

Connector Location B

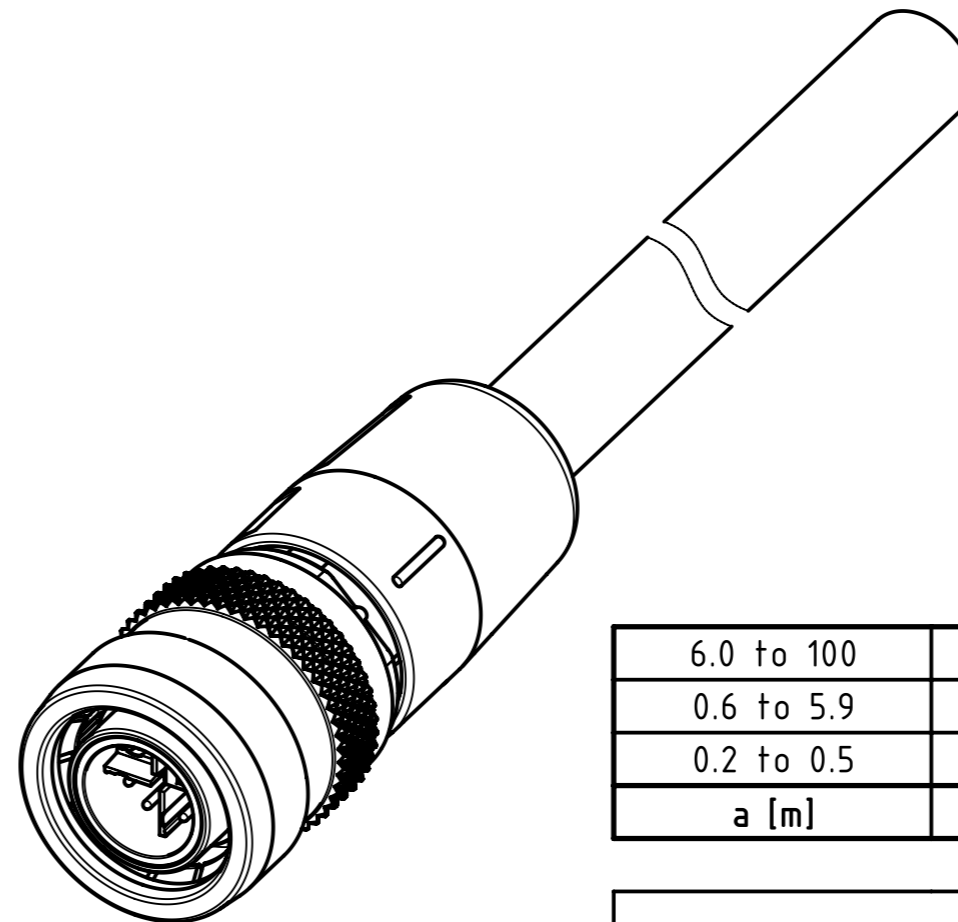


X
male

Loading Plan
acc. to TIA/EIA 568B



	Shield
1	white/orange
2	orange
3	white/green
4	green
5	white/brown
6	brown
7	white/blue
8	blue



length in "1m" step	100	XXX=000
	99	XXX=990
	.	.
	12	XXX=120
length in "0.1m" step	11	XXX=110
	10	XXX=100
	9.9	XXX=099
	9.8	XXX=098
	.	.
	0.5	XXX=005
	0.4	XXX=004
	0.3	XXX=003
	0.2	XXX=002
Step	a [m]	XXX

6.0 to 100	±1%
0.6 to 5.9	+0.04
0.2 to 0.5	+0.02
a [m]	Tolerance

Ha-VIS EtherRail Cable, 4x2xAWG 24/7, Cat. 7, black	21332900853XXX
Type of cable	Part no.

- Protection level: IP65/67
- Temperature range: -40°C ... +80°C

	All rights reserved Department HCS - RO	Created by BANCIUD Banciu	Inspected by COSTEA Costea	Standardisation MUNTEANV Muntean	Date 2020-03-19	State Final Release	Doc-Key / ECM-Nr. 100655478/UGD/005/C 500000166032
HARTING Customised Solutions D-32339 Espelkamp		Title M12 X-coded Cable Assembly		Type TB		Number 21332900853XXX	
						Rev. C	Page 1/1