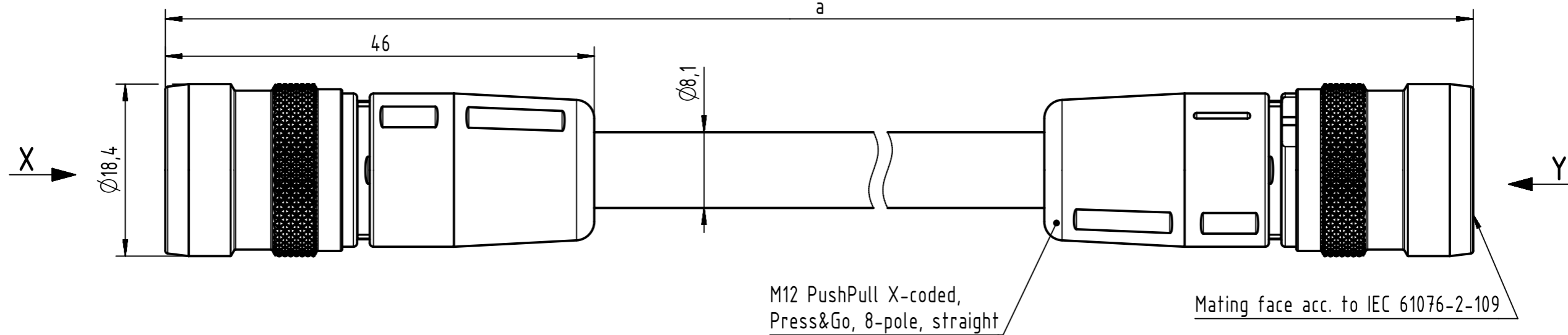


Connector Location A

Connector Location B



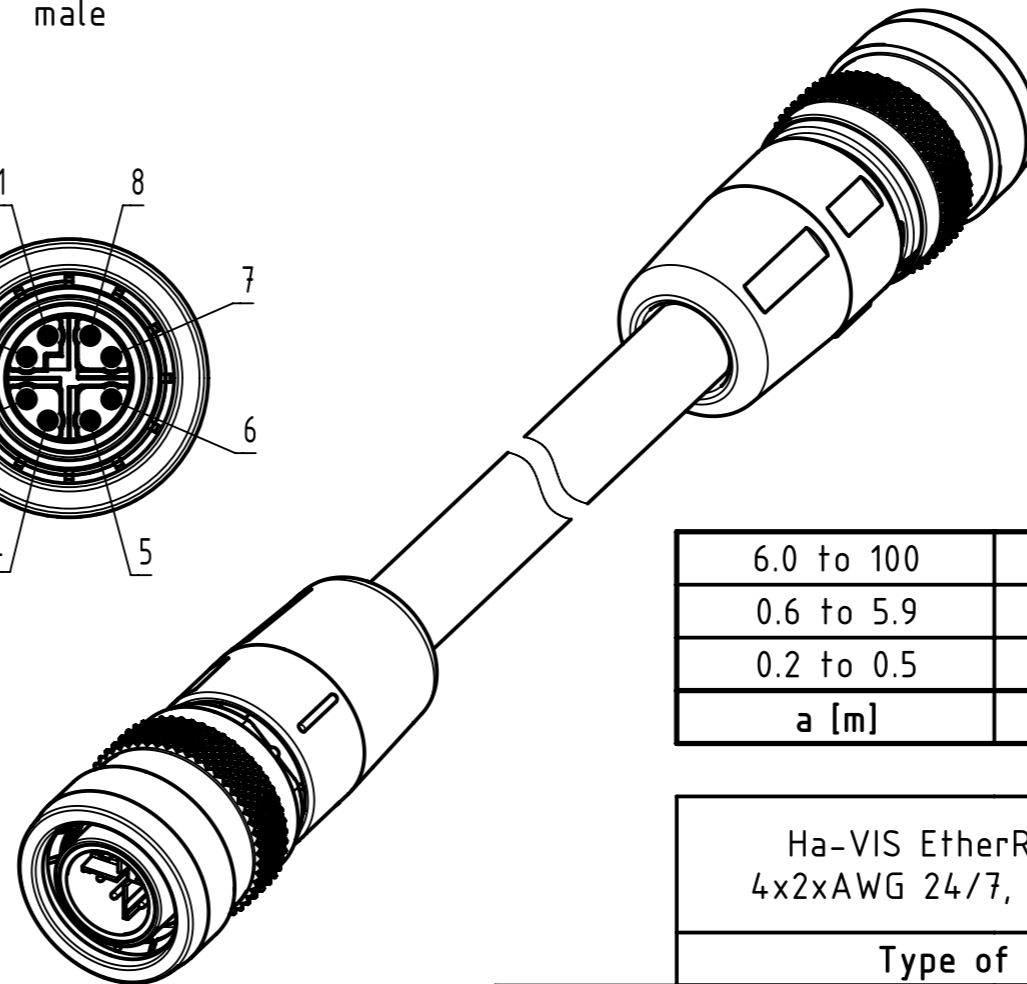
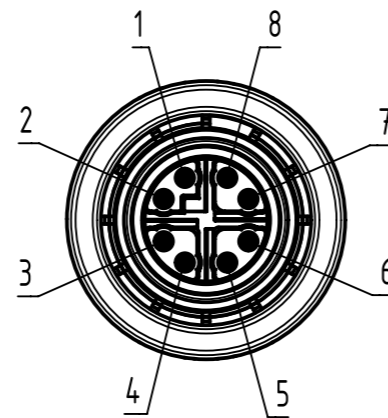
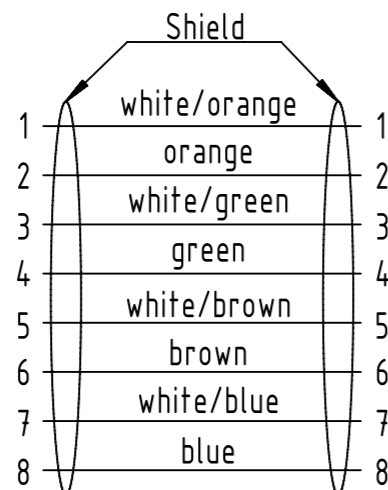
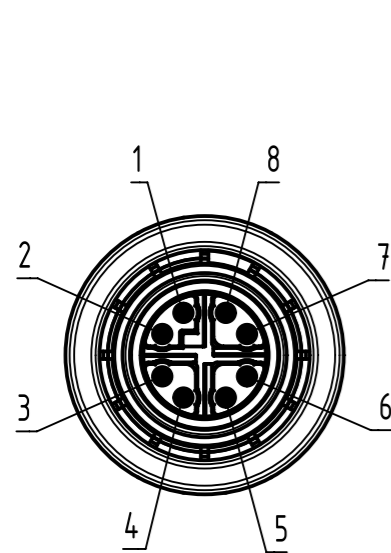
M12 PushPull X-coded, Press&Go, 8-pole, straight

Mating face acc. to IEC 61076-2-109

X male

Loading Plan acc. to TIA/EIA 568B

Y male



length in "1m" step	100	XXX=000
	99	XXX=990
	.	.
	12	XXX=120
length in "0.1m" step	11	XXX=110
	10	XXX=100
	9.9	XXX=099
	9.8	XXX=098
	.	.
	0.5	XXX=005
	0.4	XXX=004
	0.3	XXX=003
	0.2	XXX=002
Step	a [m]	XXX

6.0 to 100	±1%
0.6 to 5.9	+0.04
0.2 to 0.5	+0.02
a [m]	Tolerance

Ha-VIS EtherRail Cable, 4x2xAWG 24/7, Cat. 7, black	21332929853XXX
Type of cable	Part no.

- Protection level: IP65/67  
- Temperature range: -40°C ... +80°C

		All Dimensions in mm		Tech. Character.		Free size tol.		According to production drawing	
All rights reserved Department HCS - RO		Created by BANCIUD Banciu		Inspected by COSTEA Costea		Standardisation MUNTEANV Muntean		Date 2020-03-20	
HARTING Customised Solutions D-32339 Espelkamp		Title M12 X-coded Cable Assembly				State Final Release		Doc-Key / ECM-Nr. 100655383/UGD/005/C 500000166032	
		Type TB		Number 21332929853XXX		Rev. C		Page 1/1	