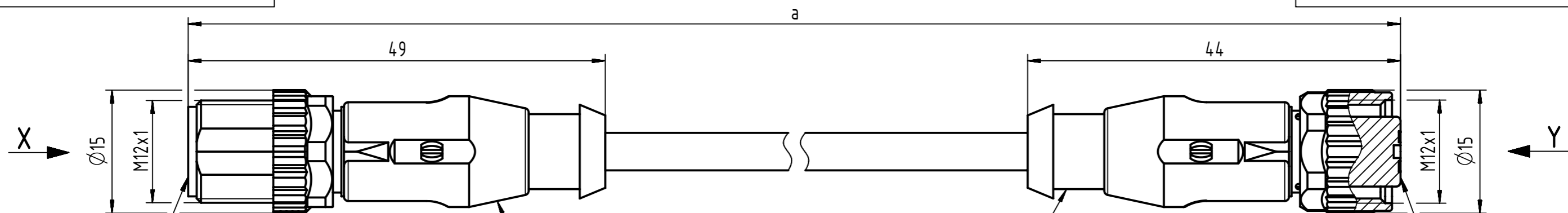


Connector Location A

Connector Location B



Mating face acc. to IEC 61076-2-101

M12 A-coded 4-pole, straight unshielded
for technical details see DS 21035001004

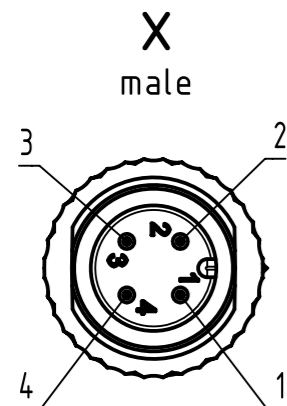
Mating face acc. to IEC 61076-2-101

M12 A-coded 4-pole, straight unshielded
for technical details see DS 21035001005

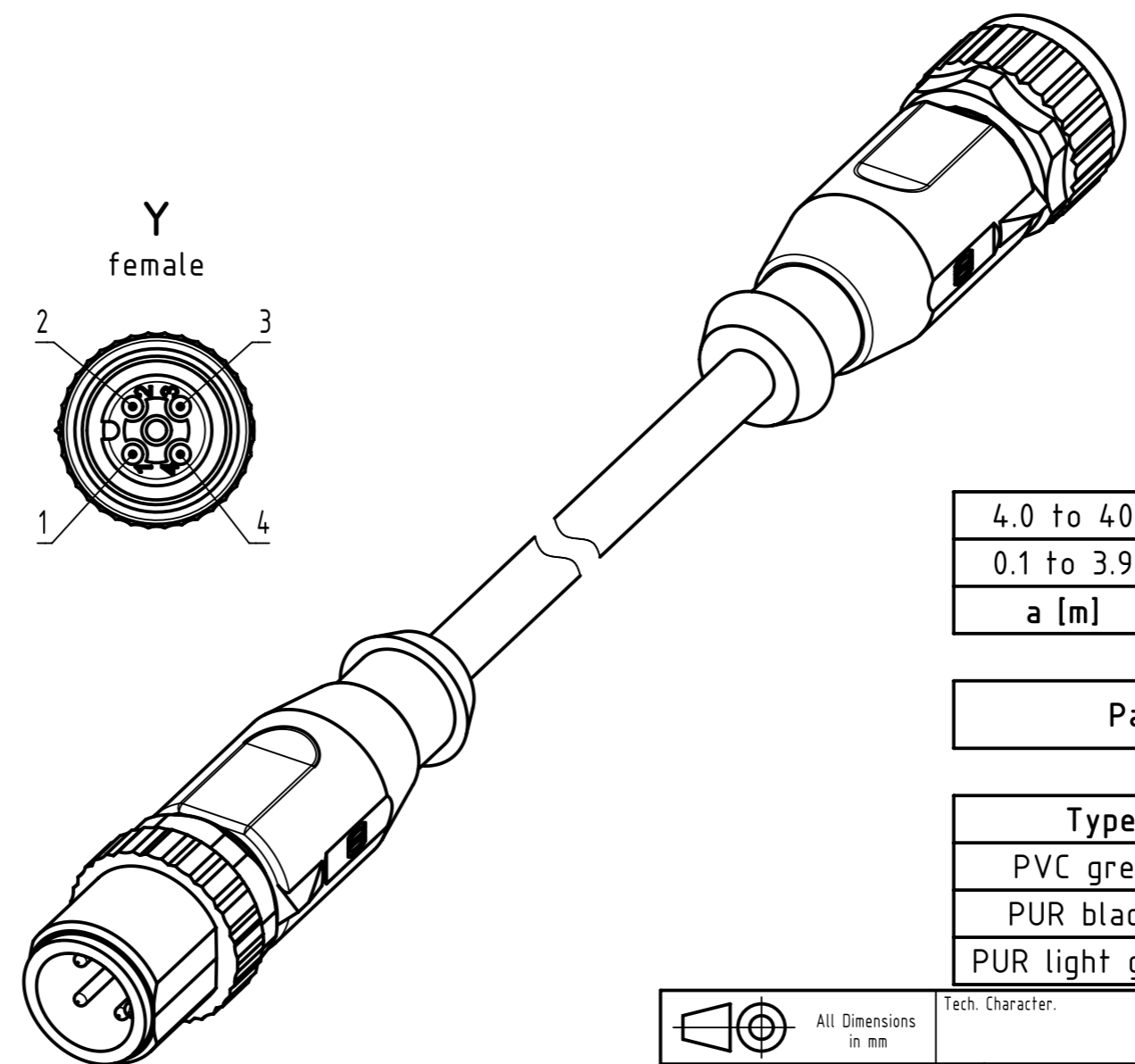
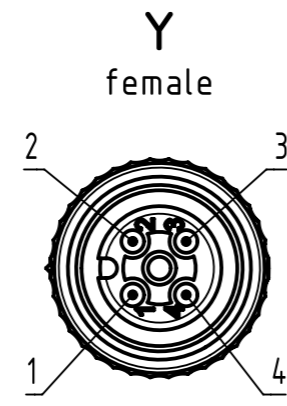
length in "1m" step	40	XXX=400
	39	XXX=390

	12	XXX=120
	11	XXX=110
	10	XXX=100
length in "0.1m" step	9.9	XXX=099
	9.8	XXX=098

	0.4	XXX=004
	0.3	XXX=003
	0.2	XXX=002
	0.1	XXX=001
Step	a [m]	XXX



- Loading-Plan:
- 1 brown 1
 - 2 white 2
 - 3 blue 3
 - 4 black 4



4.0 to 40	±1%
0.1 to 3.9	+0.04
a [m]	Tolerance

Part no.	213484854XXXX
Type of cable	XX
PVC grey, 4x0.34mm ²	XX=84
PUR black, 4x0.34mm ²	XX=91
PUR light grey, 4x0.34mm ²	XX=61

- Protection level: IP65/67
- Temperature range: -25°C ... +80°C

		All rights reserved Department HCS - RO		Created by MUNTEANV		Inspected by COSTEA		Standardisation MUNTEANV		Date 2018-09-10		State Final Release	
HARTING Customised Solutions D-32339 Espelkamp		Title M12 Cable Assembly A-cod st/st m/f				Doc-Key / ECM-Nr. 100578626/UGD/009/E 500000139865							
		Type TB		Number 213484854XXXX				Rev. E		Page 1/1			