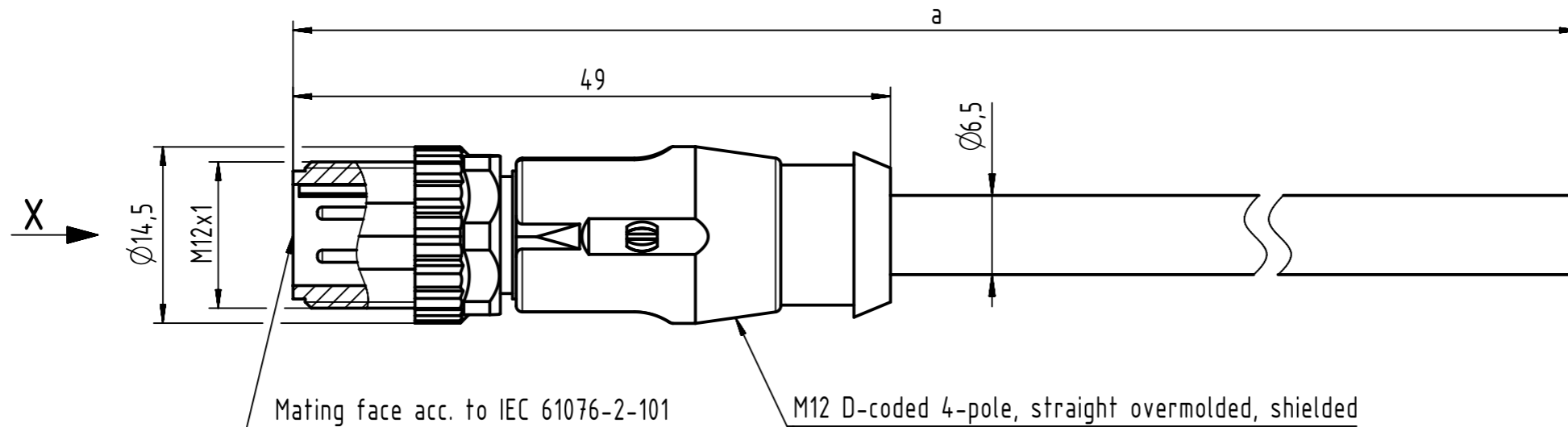


Connector Location A

Connector Location B



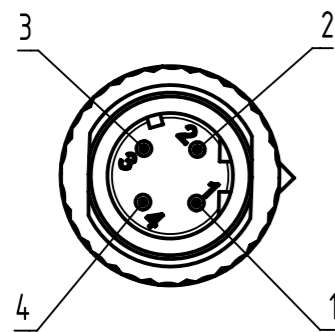
E500416



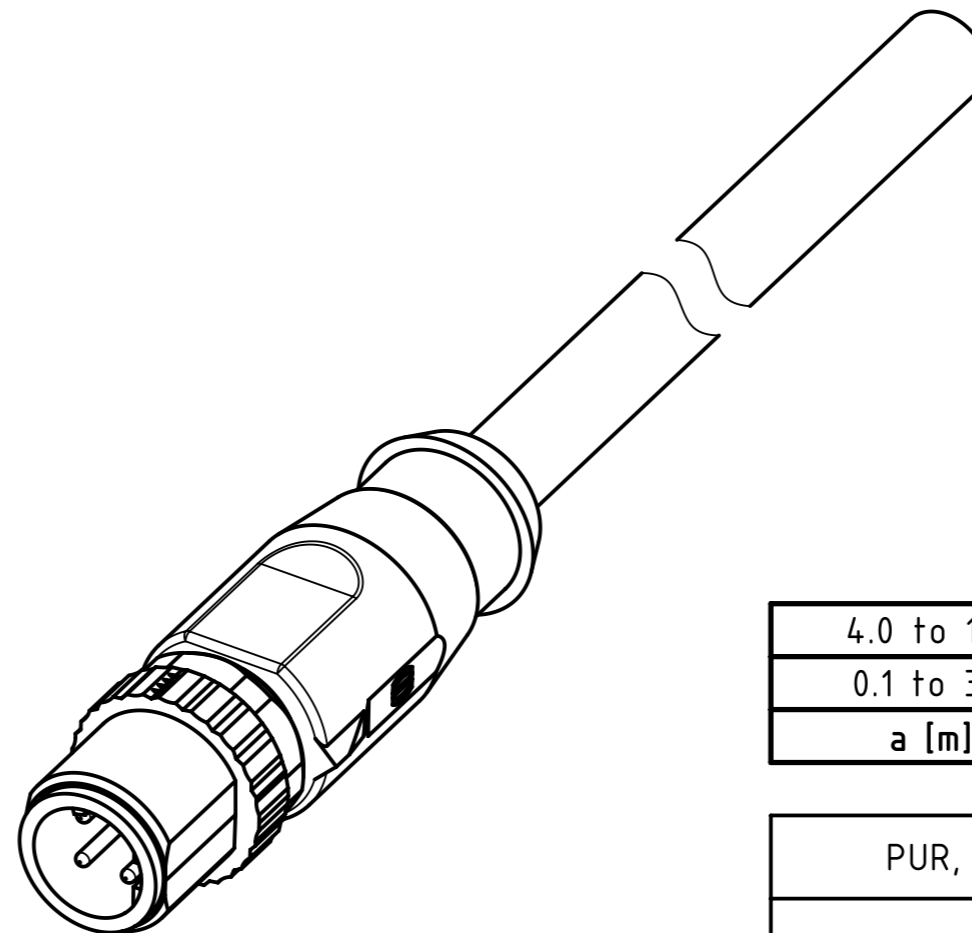
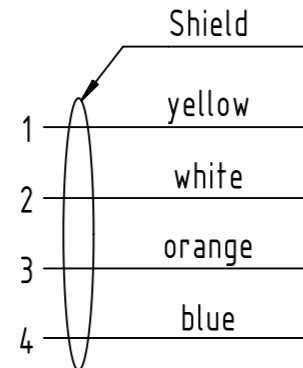
Mating face acc. to IEC 61076-2-101

M12 D-coded 4-pole, straight overmolded, shielded

X  
male



Loading-Plan:



Protection level: IP65/67  
Temperature range: -30°C ... +70°C

length in "1m" step	100	XXX=000
	99	XXX=990
	.	.
	12	XXX=120
	11	XXX=110
length in "0.1m" step	10	XXX=100
	9.9	XXX=099
	9.8	XXX=098
	.	.
	0.4	XXX=004
	0.3	XXX=003
	0.2	XXX=002
	0.1	XXX=001
Step	a [m]	XXX

4.0 to 100	±1%
0.1 to 3.9	+0.04
a [m]	Tolerance

PUR, green, 4xAWG22/7	21349200477XXX
Type of cable	Part no.

	All rights reserved		Created by COSTEA Costea		Inspected by MUNTEANV Muntean		Standardisation MUNTEANV Muntean		Date 2018-12-18		State Final Release	
	Department HCS - RO		Title M12 Cable Assembly D-cod st/- m/-		Type TB		Number 21349200477XXX		Doc-Key / ECM-Nr. 100807105/UGD/000/A 500000145021		Rev. A	Page 1/1
HARTING Customised Solutions			D-32339 Espelkamp									