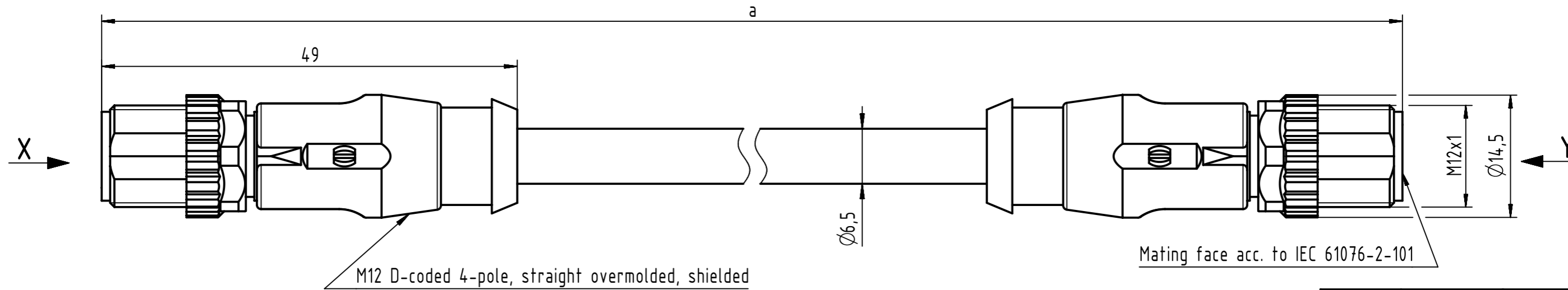


Connector Location A

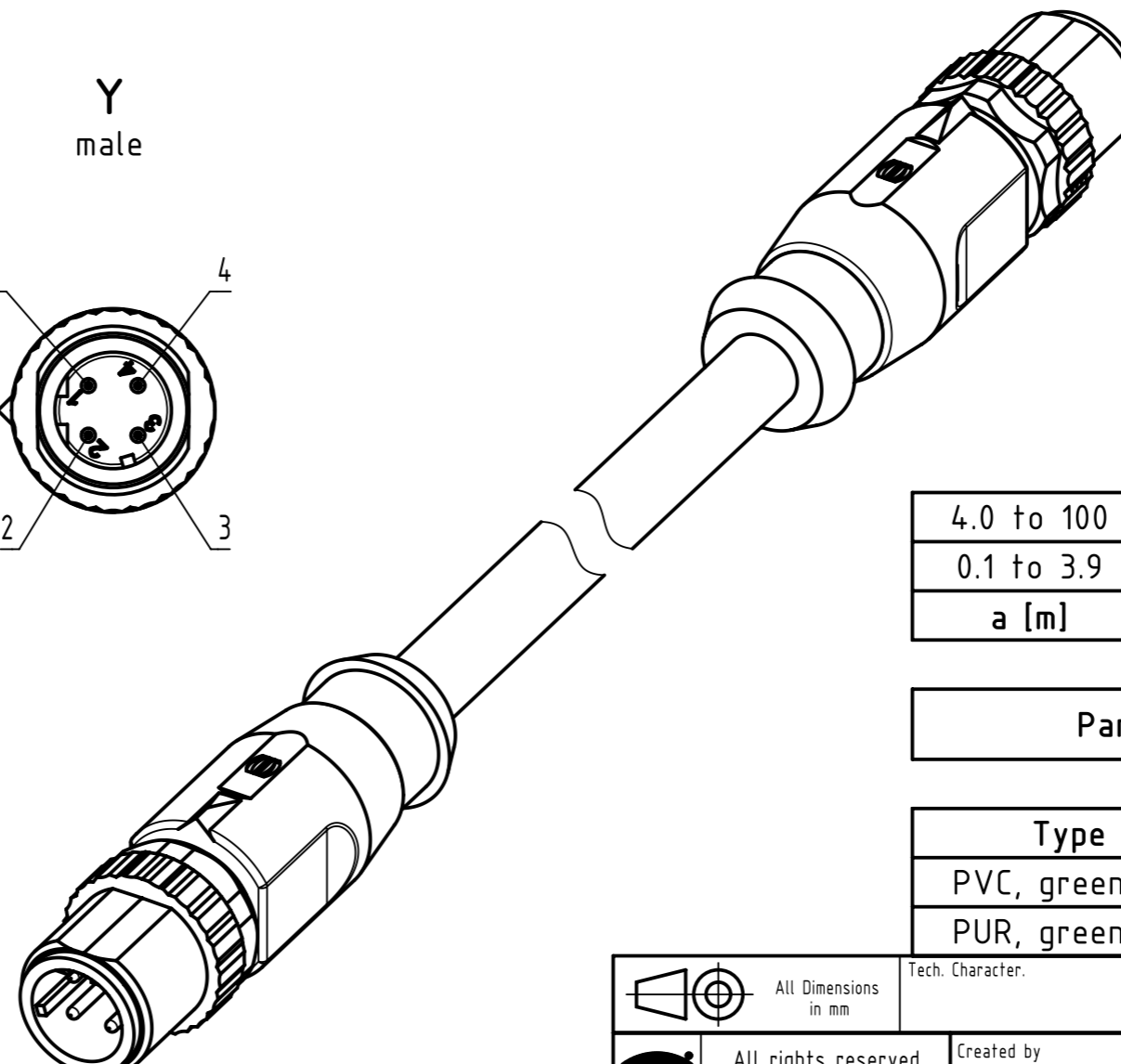
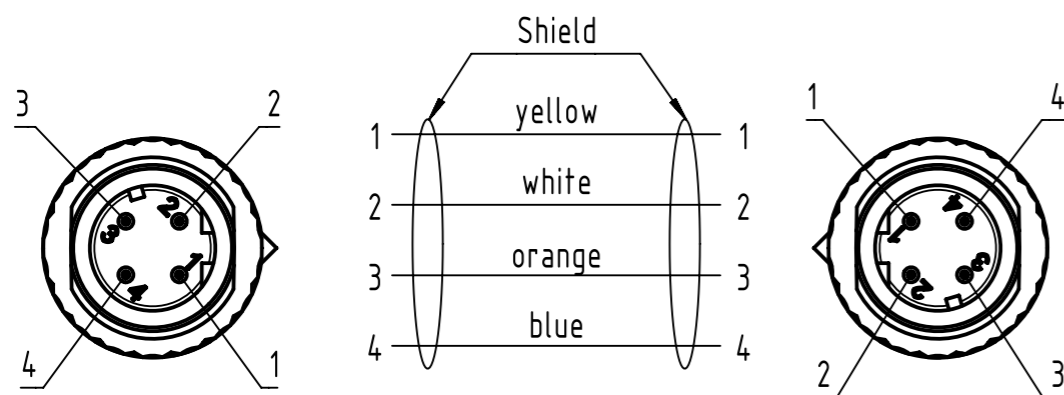
Connector Location B



X  
male

Loading Plan

Y  
male



length in "1m" step	100	XXX=000
	99	XXX=990
	...	...
	12	XXX=120
length in "0.1m" step	11	XXX=110
	10	XXX=100
	9.9	XXX=099
	9.8	XXX=098
	...	...
	0.4	XXX=004
	0.3	XXX=003
	0.2	XXX=002
	0.1	XXX=001
Step	a [m]	XXX

4.0 to 100	±1%
0.1 to 3.9	+0.04
a [m]	Tolerance

Part no.	213492924XXXXX
Type of cable	XX
PVC, green, 4xAWG22/7	XX=05
PUR, green, 4xAWG22/7	XX=77

- Protection level: IP65/67  
- Temperature range: -30°C ... +70°C

All rights reserved Department HCS - RO HARTING Customised Solutions D-32339 Espelkamp		All Dimensions in mm Tech. Character. Created by BANIUD Banciu Inspected by COSTEA Costea Standardisation MUNTEANV Muntean Date 2019-03-01 State Final Release Title M12 Cable Assembly D-cod st/st m/m Type TB Number 213492924XXXXX	Free size tol. According to production drawing Doc-Key / ECM-Nr. 100588528/UGD/000/F 50000014.8052 Rev. F Page 1/1
---	--	--	--