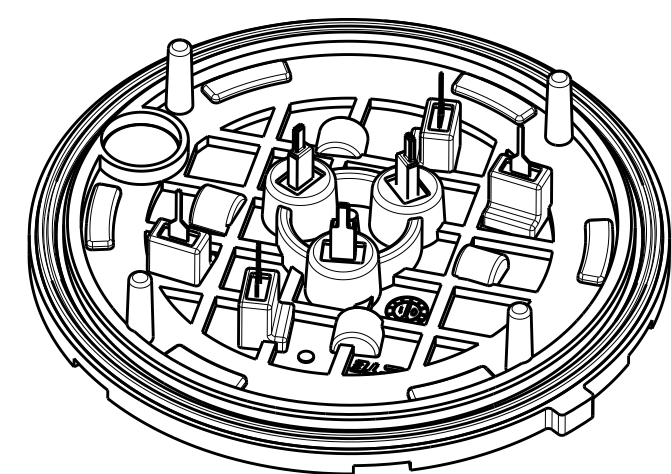
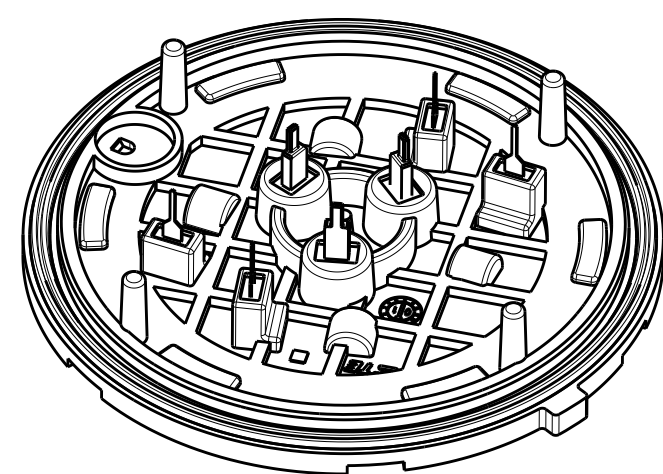


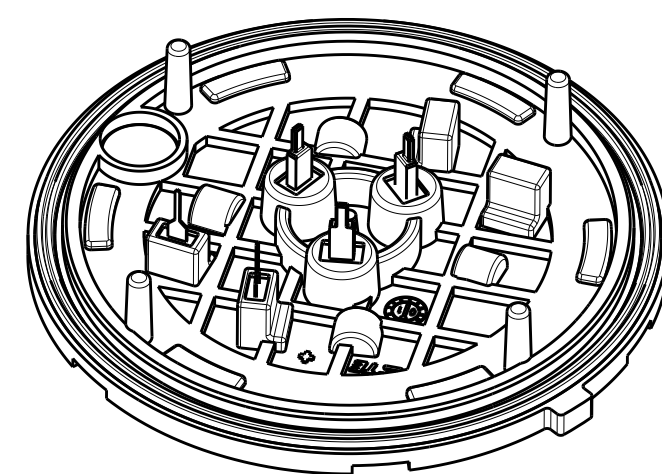
REVISIONS				
P	LTR	DESCRIPTION	DATE	APVD
1		INITIAL RELEASE	23JUL2019	SR JL



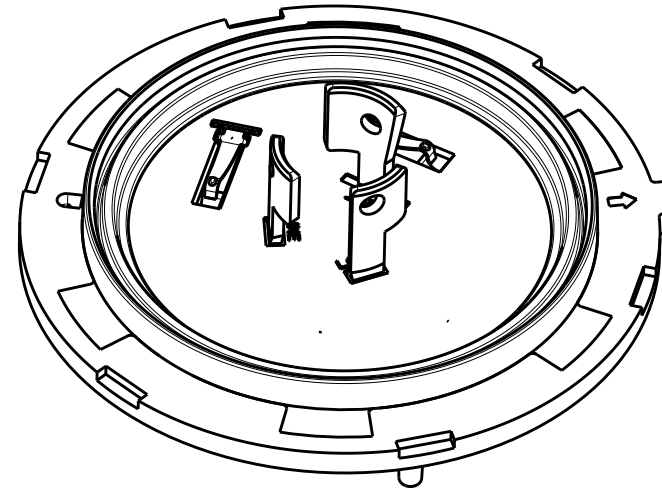
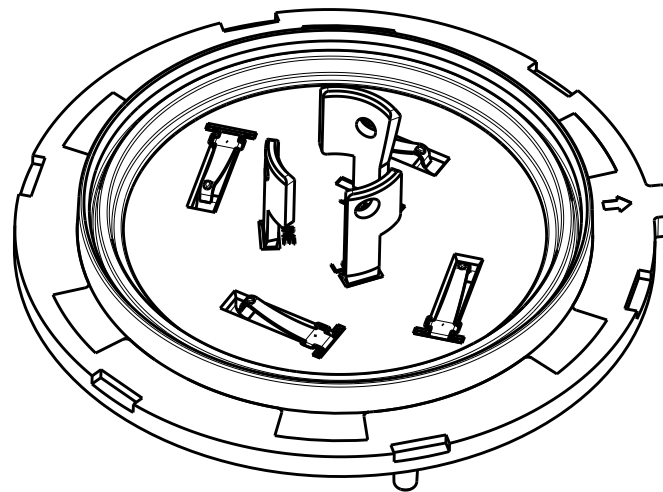
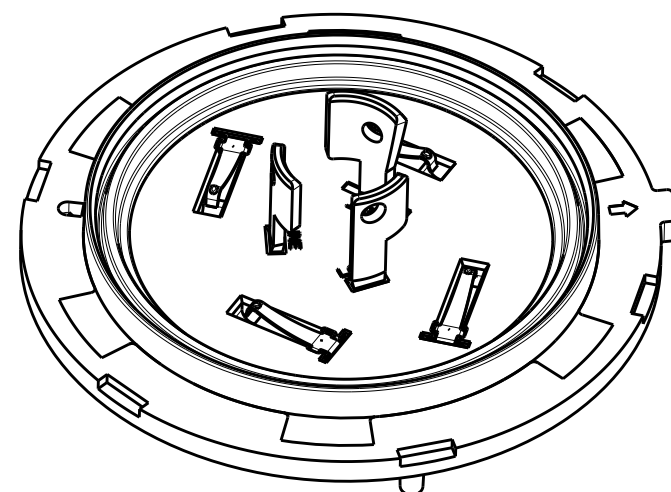
2359482-1 SHOWN



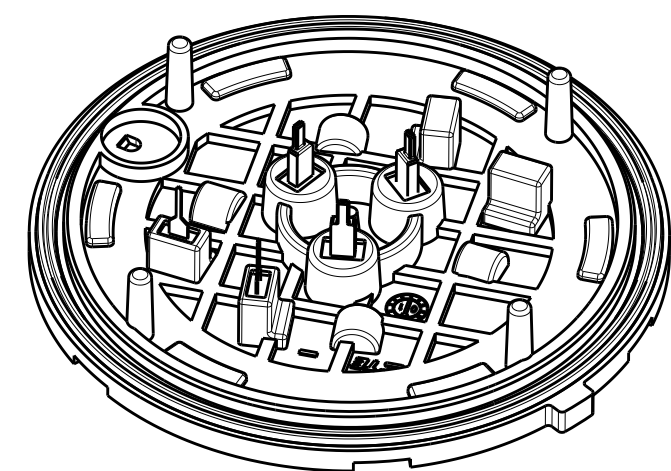
2359482-2 SHOWN



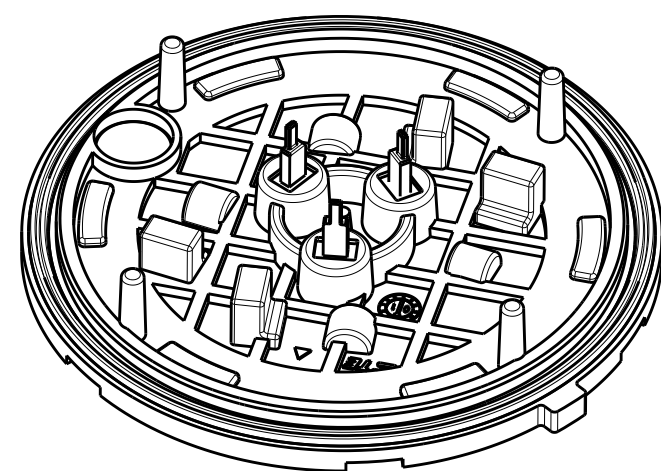
2359482-3 SHOWN



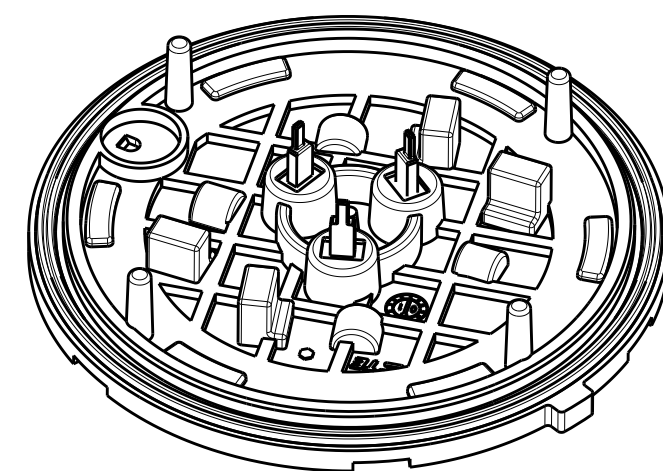
- 1 MATERIALS:
HOUSING: PBT
GASKET: TPE
DIMMING CONTACTS (QTY. 2/4): COPPER ALLOY
LINE VOLTAGE CONTACTS (QTY. 3): COPPER ALLOY
MEMBRANE VENT: PTFE
- 2 FINISH:
DIMMING CONTACTS: NICKEL UNDERPLATE ENTIRE
CONTACT 0.127 µm MIN THICK. SELECTIVE GOLD PLATE CONTACT MATING AREA (MATING FACE SIDE ONLY) 0.76 µm MIN THICK.
MATTE TIN PLATE TAB ON BOTH SIDES 0.30 µm MIN THICK.
LINE VOLTAGE CONTACTS: MATTE TIN PLATE
- 3 MATING INTERFACE PER ANSI C136.41-2013.
- 4. THIS PRODUCT HAS NOT COMPLETED VALIDATION TESTING.
- 5. MATING COVER; TE P/N: 2359615-X



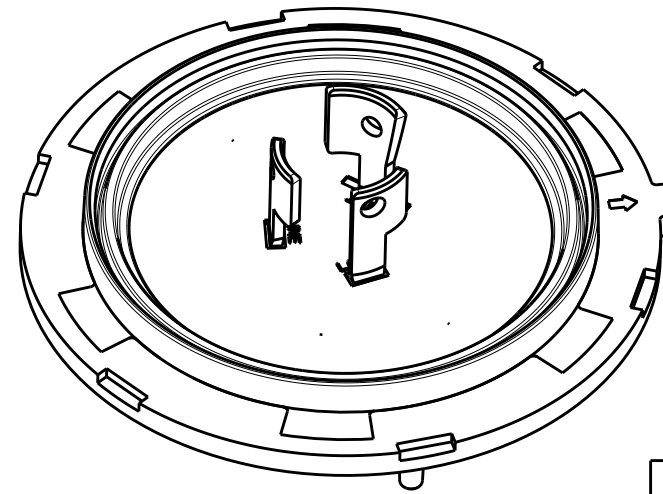
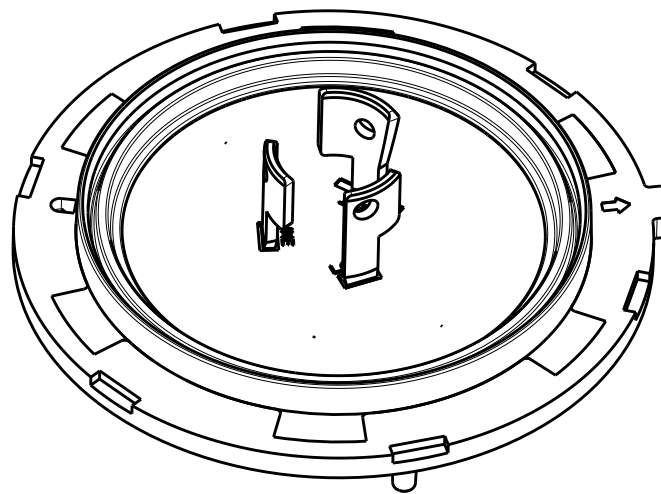
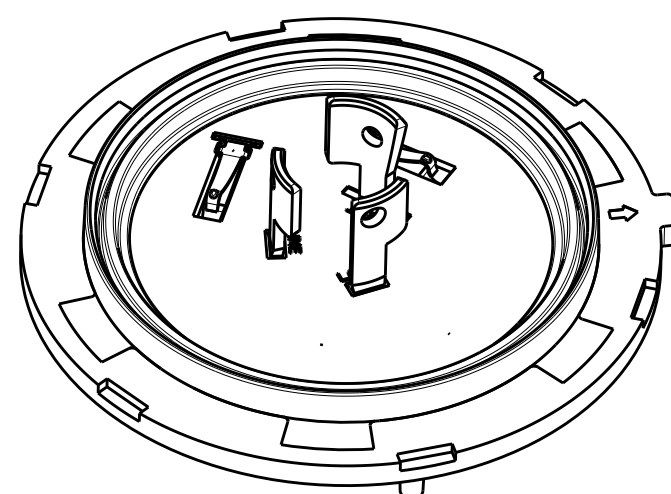
2359482-4 SHOWN



2359482-5 SHOWN



2359482-6 SHOWN

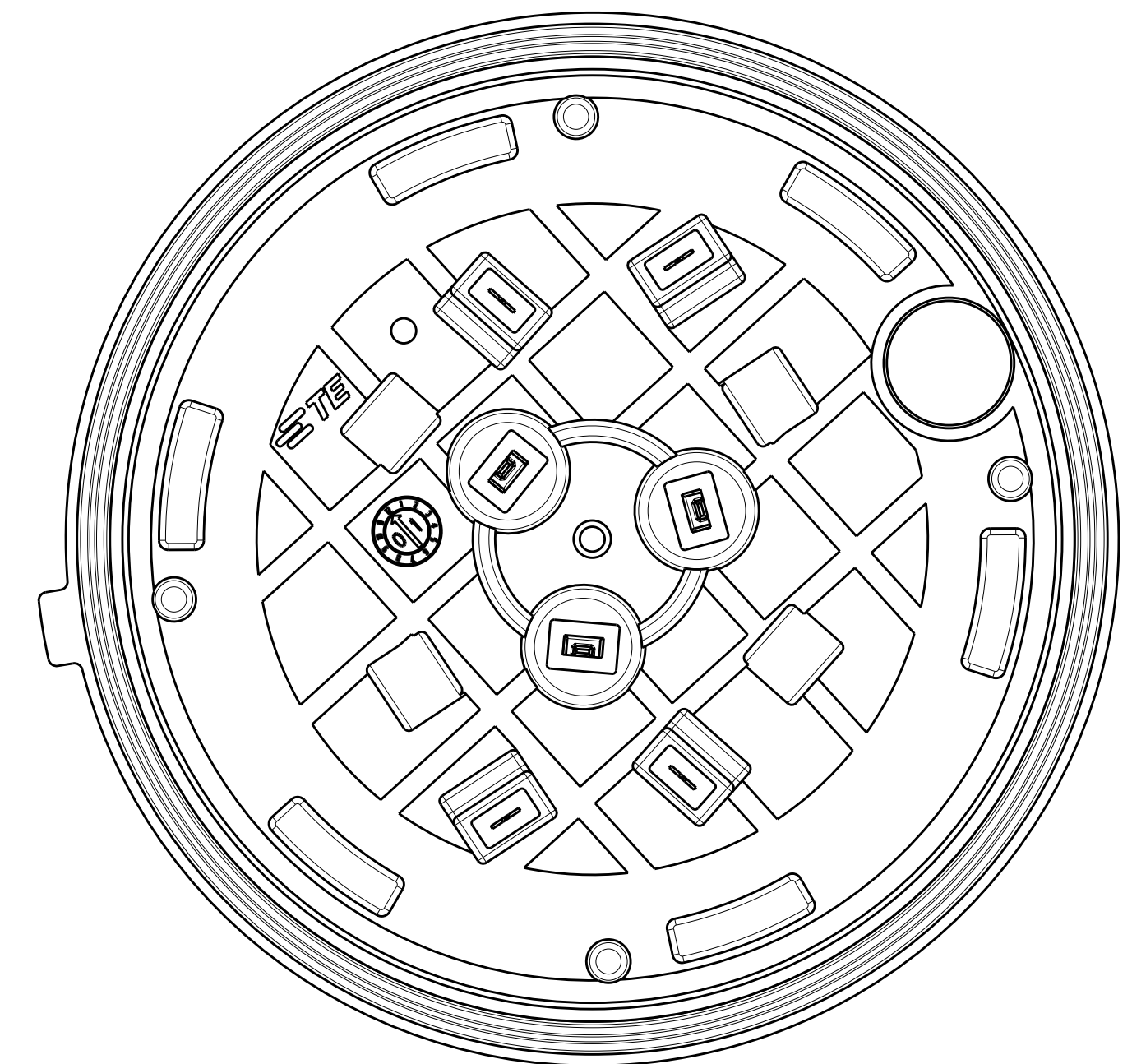
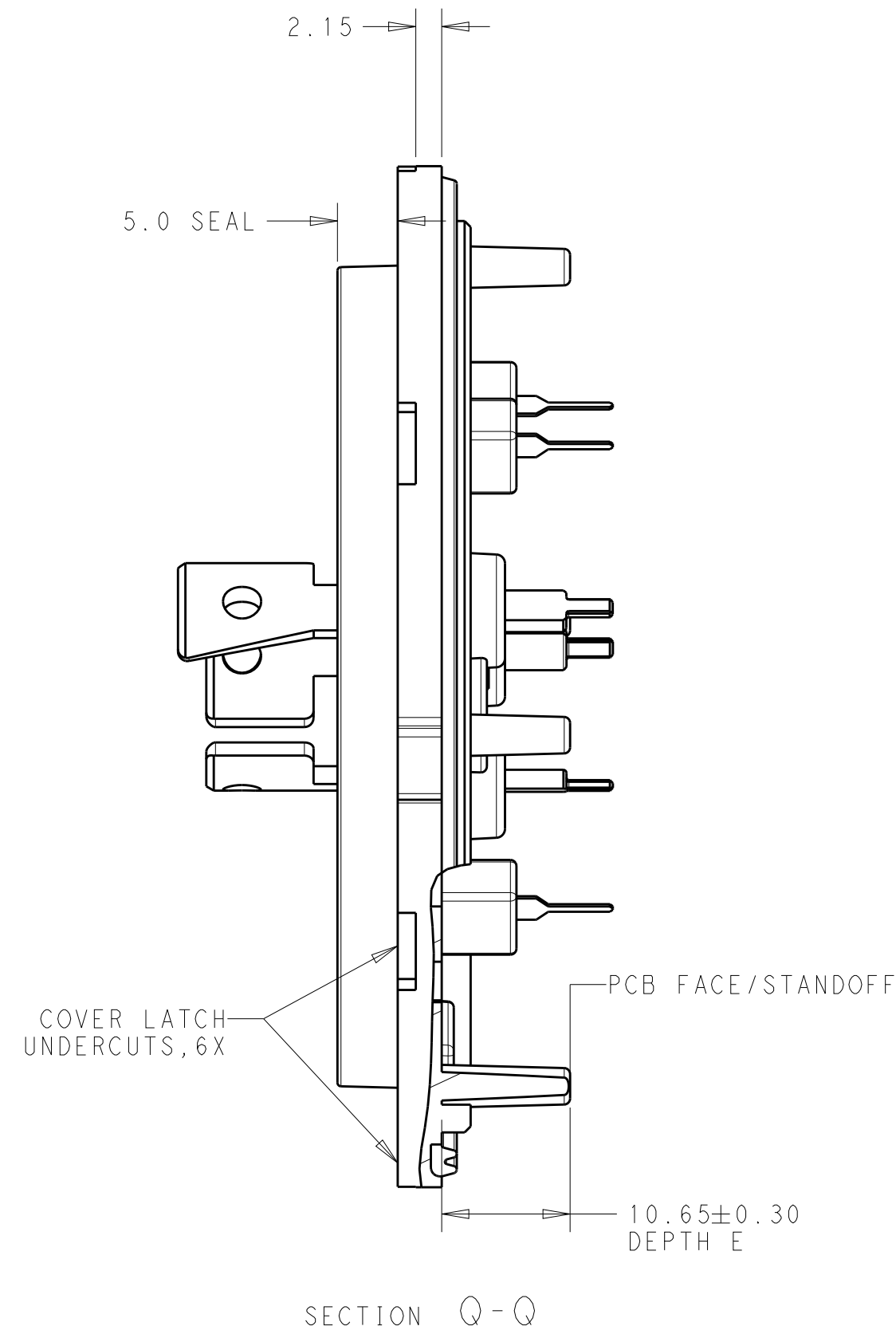
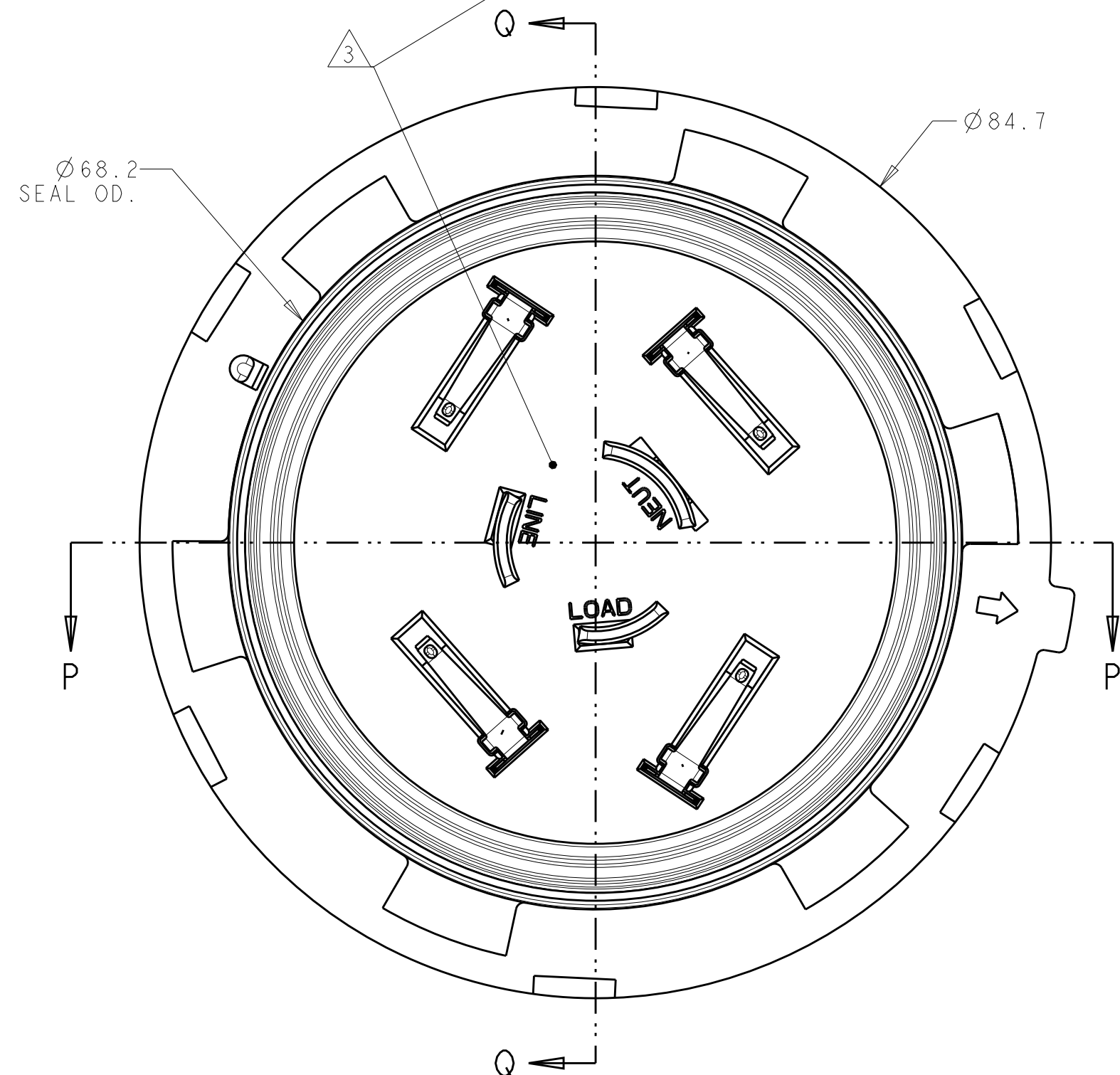
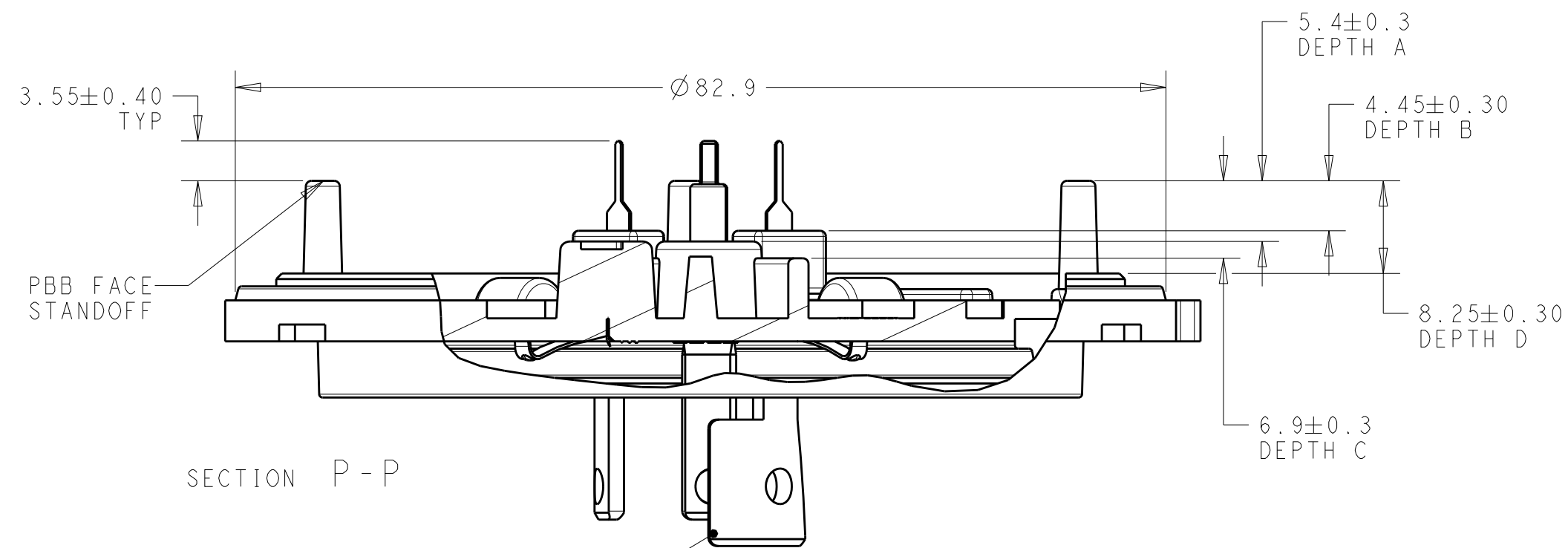


WITHOUT VENT	3	2359482-6
WITH VENT	3	2359482-5
WITHOUT VENT	5	2359482-4
WITH VENT	5	2359482-3
WITHOUT VENT	7	2359482-2
WITH VENT	7	2359482-1
REMARKS	CONTACT POSITIONS	PART NO.

**NEW PRODUCT
PRELIMINARY
IN DEVELOPMENT**

THIS DRAWING IS A CONTROLLED DOCUMENT.		DWN C. DAILY 18NOV2019	TE Connectivity	
		CHK J. LATORRE 18NOV2019		
DIMENSIONS: mm	TOLERANCES UNLESS OTHERWISE SPECIFIED:	APVD -	NAME BASE ASSEMBLY, LIGHT CONTROLLER, LUMAWISE ENDURANCE N GEN 2	RESTRICTED TO
	0 PLC ± 1 PLC ±0.2 2 PLC ±0.13 3 PLC ± 4 PLC ± ANGLES ±1° FINISH	PRODUCT SPEC 108-32606	SIZE A2	
MATERIAL		APPLICATION SPEC 114-32363	CAGE CODE -	DRAWING NO. G-2359482
		WEIGHT -	SCALE 1:1	SHEET 1 OF 4
		CUSTOMER DRAWING	REV 1	

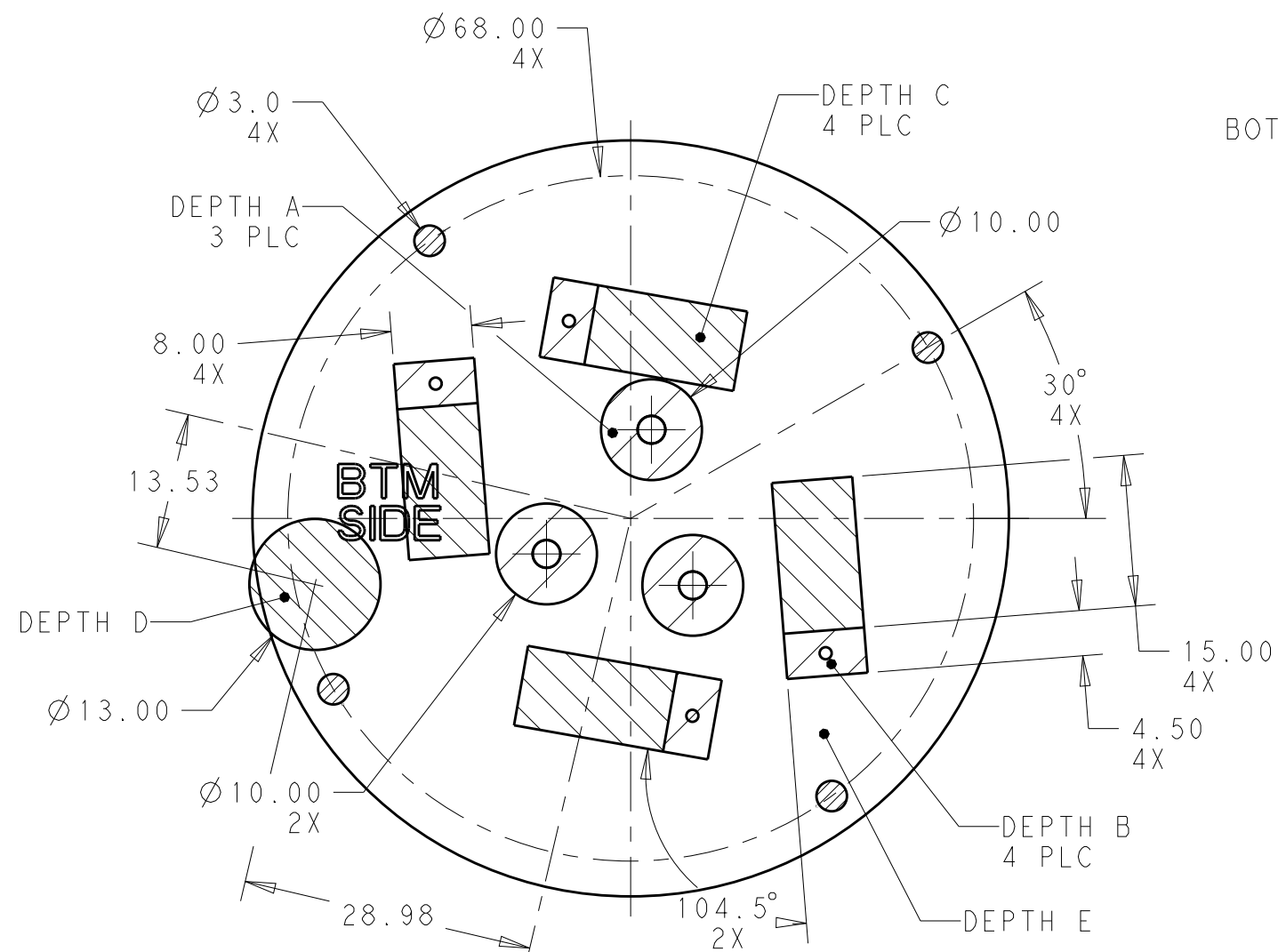
REVISIONS					
P	LTR	DESCRIPTION	DATE	DWN	APVD
-	-	SEE SHEET 1	-	-	-



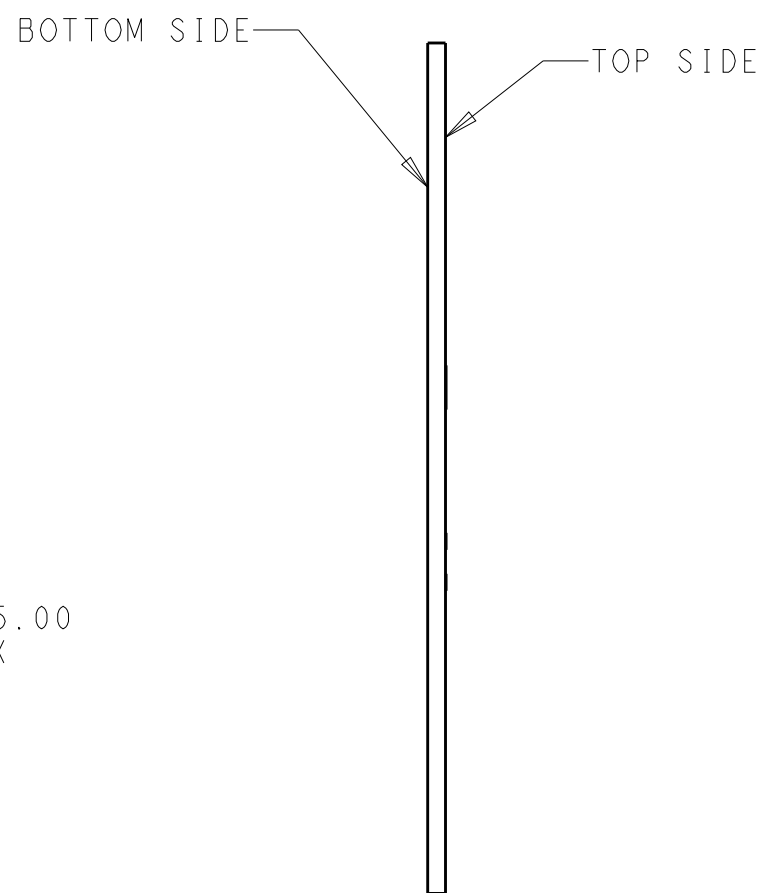
**NEW PRODUCT
PRELIMINARY
IN DEVELOPMENT**

THIS DRAWING IS A CONTROLLED DOCUMENT.		DWN C. DAILY 18NOV2019	TE Connectivity		
		CHK J. LATORRE 18NOV2019			
DIMENSIONS: mm		APVD -	NAME BASE ASSEMBLY, LIGHT CONTROLLER, LUMAWISE ENDURANCE N GEN 2		
TOLERANCES UNLESS OTHERWISE SPECIFIED: 0 PLC ± 1 PLC ±0.2 2 PLC ±0.13 3 PLC ± 4 PLC ± ANGLES ±1° FINISH		PRODUCT SPEC 108-32606	SIZE A2		
MATERIAL 1		APPLICATION SPEC 114-32363	CAGE CODE -	DRAWING NO. G-2359482	RESTRICTED TO -
		WEIGHT -	SCALE 1:1 SHEET 2 OF 4 REV 1		
		CUSTOMER DRAWING			

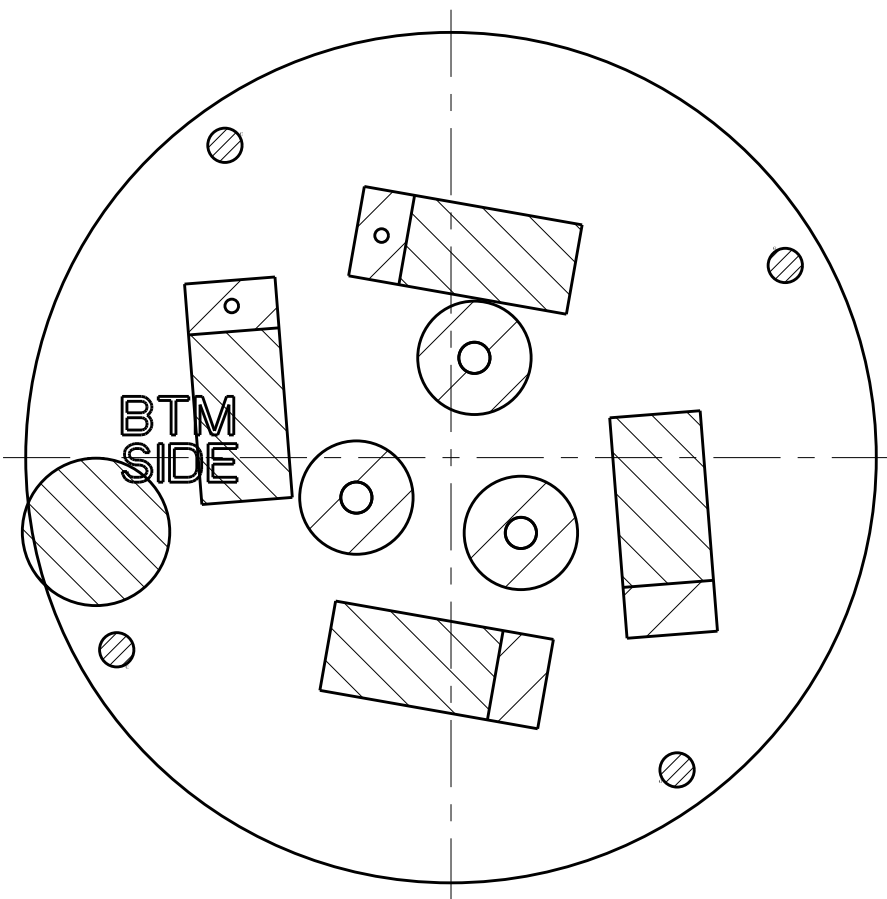
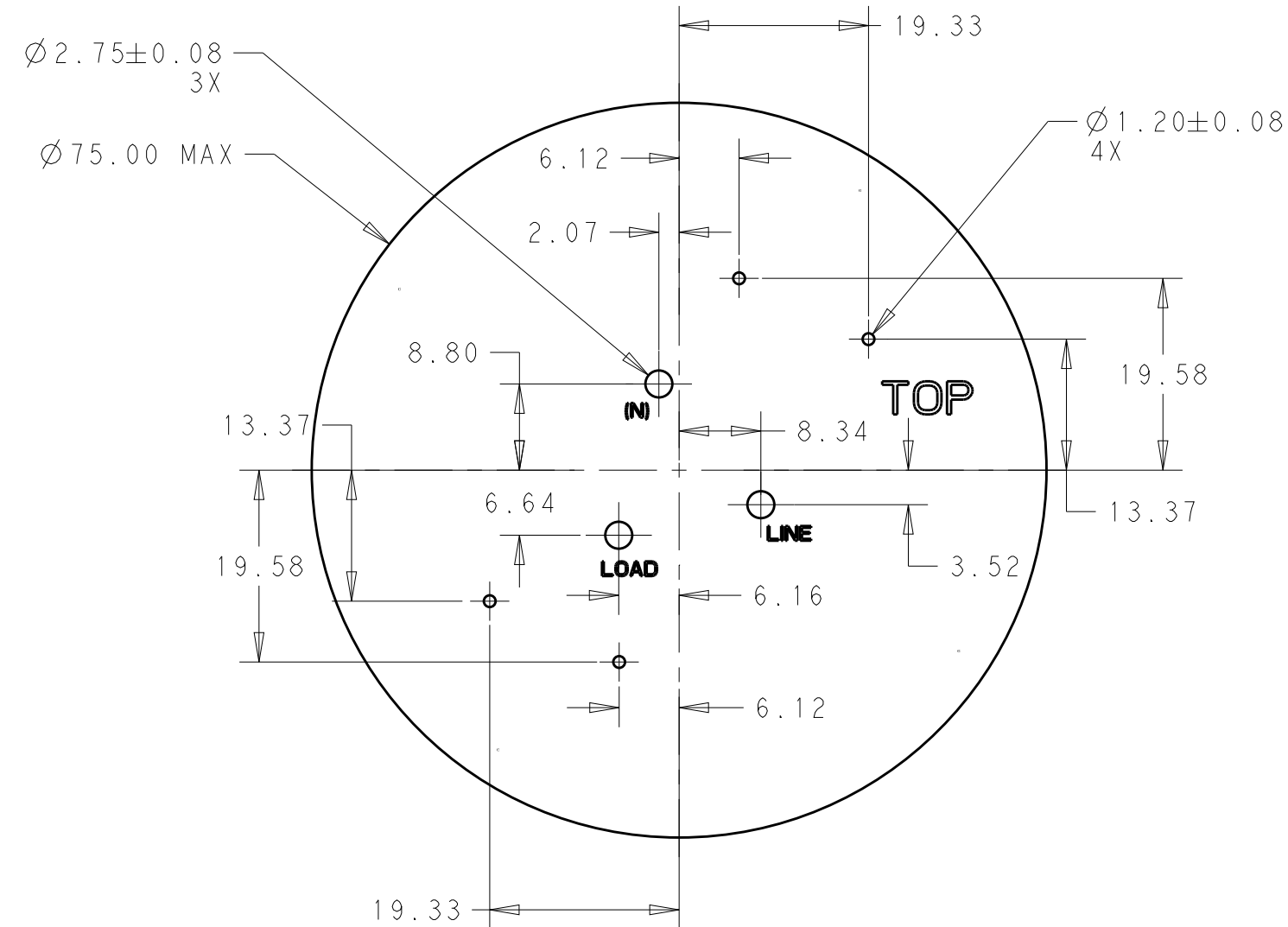
P	LTR	DESCRIPTION	DATE	DWN	APVD
-	-	SEE SHEET 1	-	-	-



COMPONENT KEEP OUT AREAS
2359482-1 AND 2359482-2



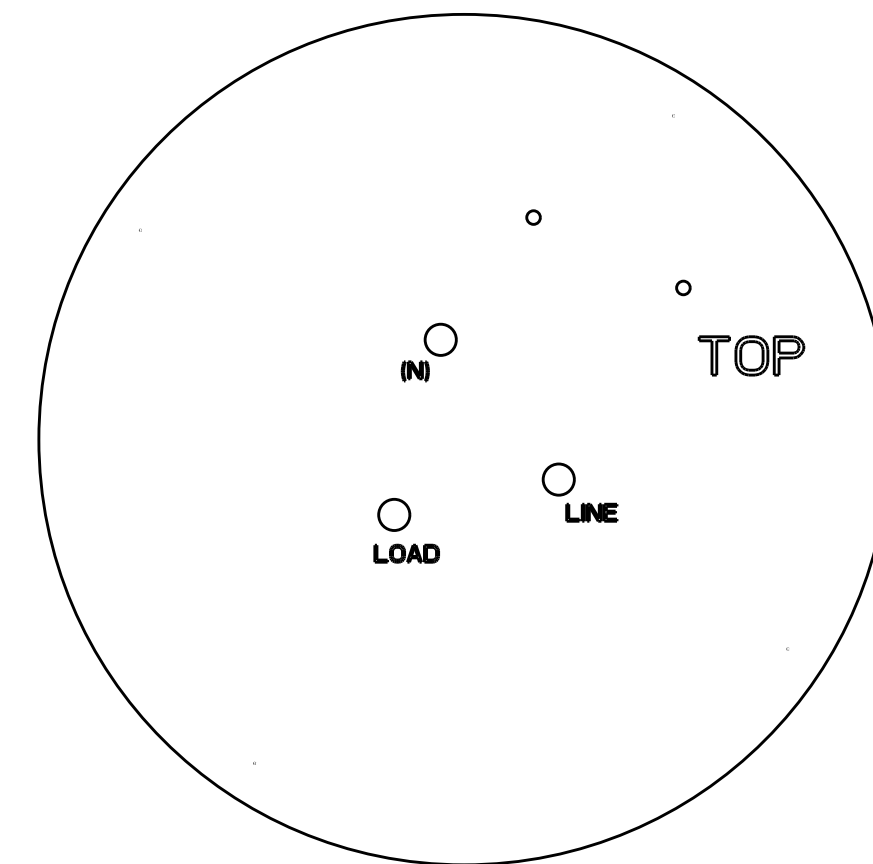
RECOMMENDED PCB
SCALE 3:2



COMPONENT KEEP OUT AREAS
2359482-3 AND 2359482-4



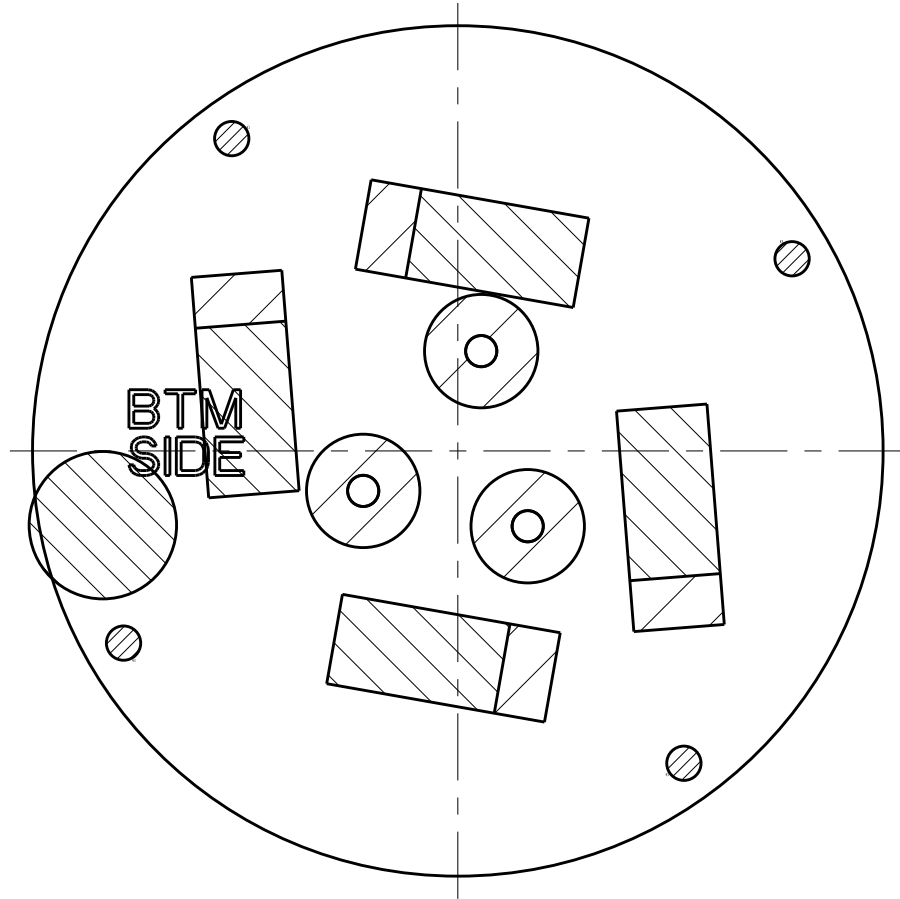
RECOMMENDED PCB
SCALE 3:2



**NEW PRODUCT
PRELIMINARY
IN DEVELOPMENT**

THIS DRAWING IS A CONTROLLED DOCUMENT.		DWN C. DAILY 18NOV2019	TE Connectivity	
		CHK J. LATORRE 18NOV2019		
DIMENSIONS: mm		APVD -	NAME BASE ASSEMBLY, LIGHT CONTROLLER, LUMAWISE ENDURANCE N GEN 2	
TOLERANCES UNLESS OTHERWISE SPECIFIED: 0 PLC ± 1 PLC ±0.2 2 PLC ±0.13 3 PLC ± 4 PLC ± ANGLES ±1° FINISH		PRODUCT SPEC 108-32606	SIZE A2	
MATERIAL		APPLICATION SPEC 114-32363	CAGE CODE -	
		WEIGHT -	DRAWING NO C-2359482	
		CUSTOMER DRAWING		RESTRICTED TO -
		SCALE 1:1	SHEET 3 OF 4	REV 1

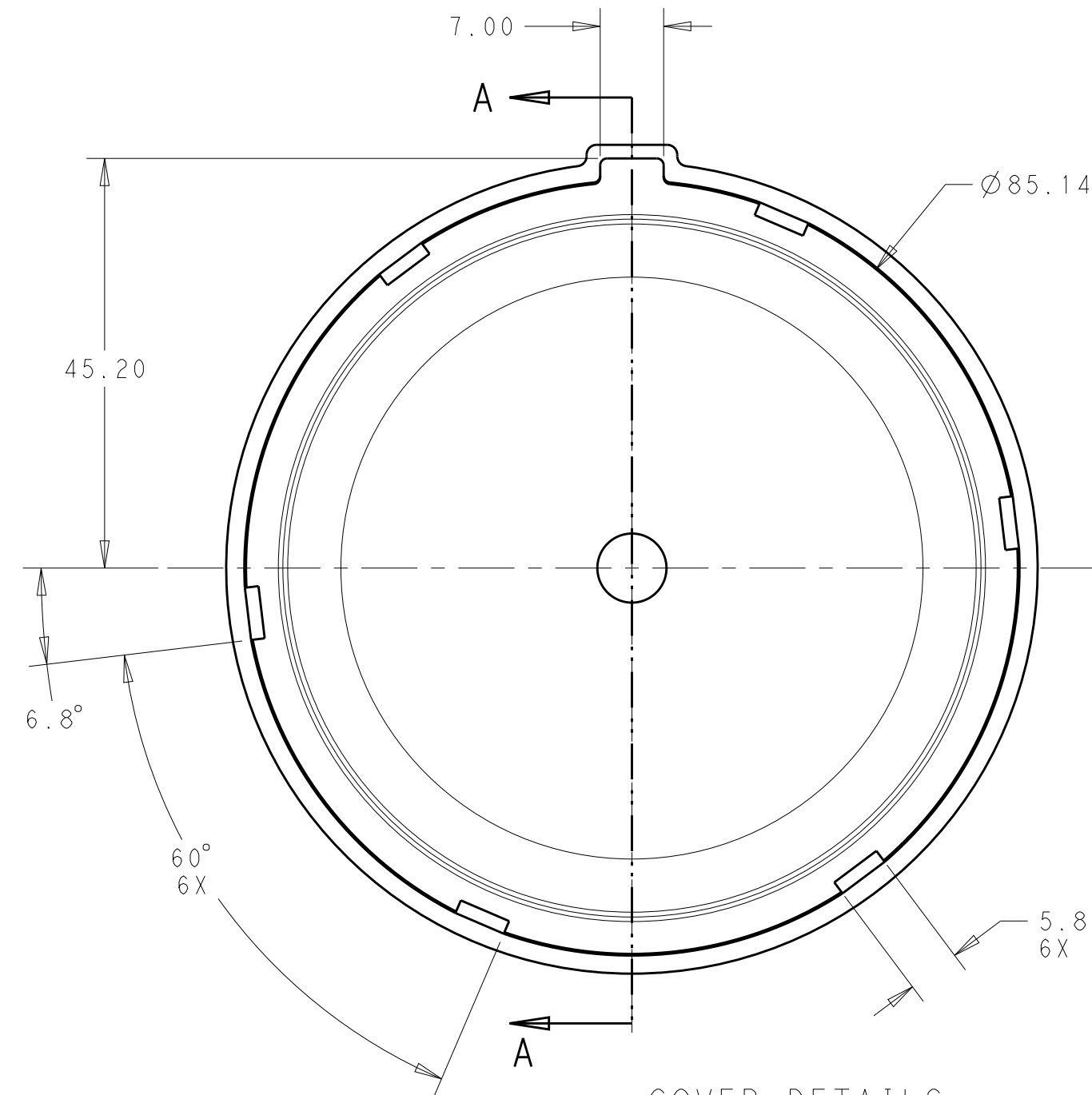
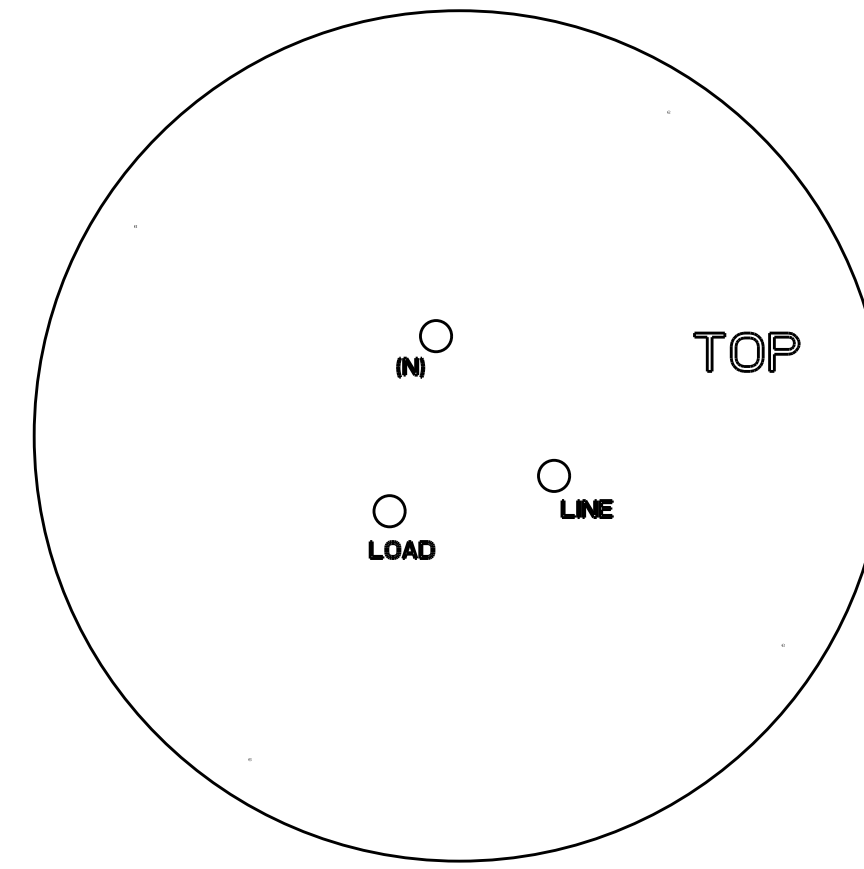
P	LTR	DESCRIPTION	DATE	DWN	APVD
-	-	SEE SHEET 1	-	-	-



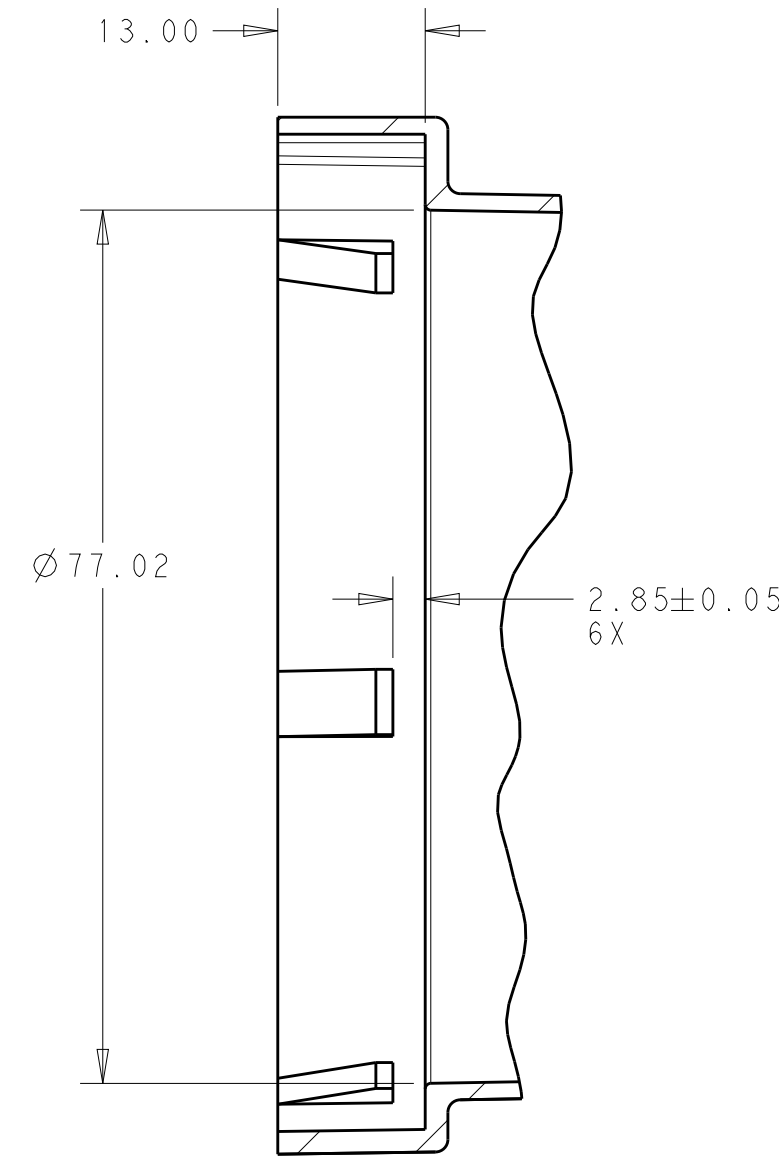
COMPONENT KEEP OUT AREAS
2359482-5 AND 2359482-6



RECOMMENDED PCB
SCALE 3:2



COVER DETAILS
SCALE 3:2



SECTION A-A

**NEW PRODUCT
PRELIMINARY
IN DEVELOPMENT**

THIS DRAWING IS A CONTROLLED DOCUMENT.		DWN C. DAILY 18NOV2019	TE Connectivity	
		CHK J. LATORRE 18NOV2019		
DIMENSIONS: mm 		TOLERANCES UNLESS OTHERWISE SPECIFIED: 0 PLC ± 1 PLC ±0.2 2 PLC ±0.13 3 PLC ± 4 PLC ± ANGLES ±1° FINISH		NAME BASE ASSEMBLY, LIGHT CONTROLLER, LUMAWISE ENDURANCE N GEN 2
MATERIAL 1		PRODUCT SPEC 108-32606 APPLICATION SPEC 114-32363 WEIGHT -		SIZE A2 CAGE CODE - DRAWING NO. C-2359482 RESTRICTED TO -
		CUSTOMER DRAWING		SCALE 1:1 SHEET 4 OF 4 REV 1