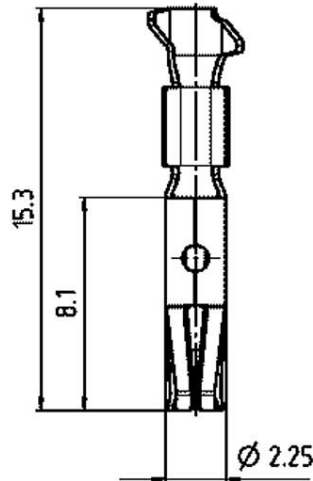


Product description -  
 Area series 423/425/581/680/682/696/723  
 Part no. 61 0798 098 00

Illustration



Scale drawing



Technical data

General features

Part no.	61 0798 098 00
Version	Socket contact
Cross-sectional area	0.75-1.00 mm <sup>2</sup>
Packaging type	Bag (50 pcs.)
Crimp dimensions (guide value)	0.75 mm <sup>2</sup> : 1.2-1.33 mm - 1.00 mm <sup>2</sup> : 1.3-1.45 mm
Crimp pullout force	0.75 mm <sup>2</sup> : 90 N - 1.00 mm <sup>2</sup> : 110 N
Weight (g)	11.15
Customs tariff number	74093900

Material

Contact material	CuSn (bronze)
Contact plating	Au (gold)
REACH SVHC	None (No pollutants)
SCIP number	SCIP-number not available

Classifications

eCl@ss 11.1	27-46-04-03
-------------	-------------