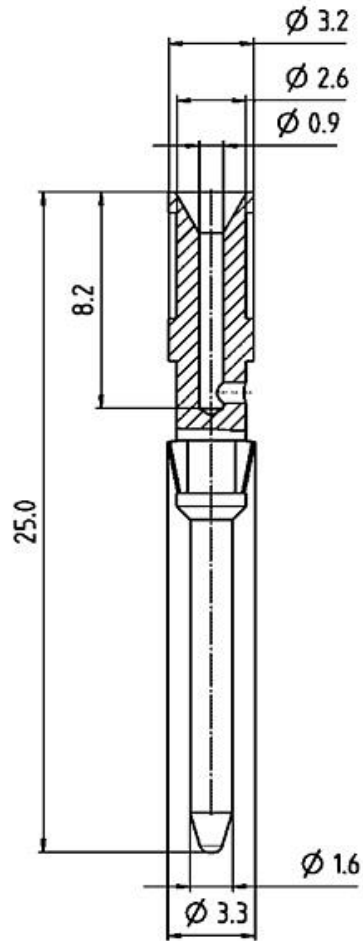


Product description -
 Area series 692/693/696
 Part no. 61 0891 139

Illustration



Scale drawing



Technical data

General features

Part no.	61 0891 139
Version	Pin contact
Cross-sectional area	0.10-0.34 mm ²
Packaging type	Bag (100 pcs.)
Weight (g)	0.68
Customs tariff number	85369095

Product data sheet



Product description	-
Area	series 692/693/696
Part no.	61 0891 139

Material

Contact material	CuZn (brass)
Contact plating	Ag (silver)
REACH SVHC	CAS 7439-92-1 (Lead)
SCIP number	SCIP-number not available

Classifications

eCl@ss 11.1	27-46-04-03
-------------	-------------