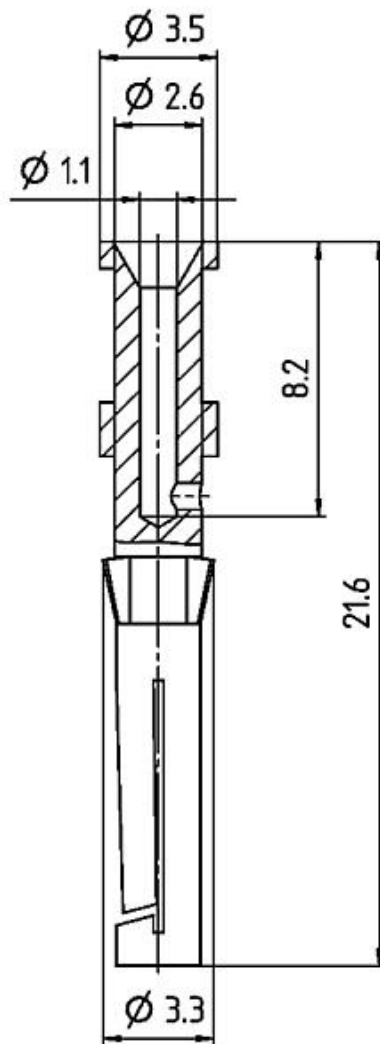


Product description -  
 Area series 692/693/696  
 Part no. 61 0897 139

Illustration



Scale drawing



Technical data

General features

Part no.	61 0897 139
Version	Socket contact
Cross-sectional area	0.50 mm <sup>2</sup>
Packaging type	Bag (100 pcs.)

# Product data sheet



Product description -  
Area series 692/693/696  
Part no. 61 0897 139

Weight (g) 0.68  
Customs tariff number 85369095

## Material

Contact material CuZn (brass)  
Contact plating Ag (silver)  
REACH SVHC CAS 7439-92-1 (Lead)  
SCIP number SCIP-number not available

## Classifications

eCl@ss 11.1 27-46-04-03