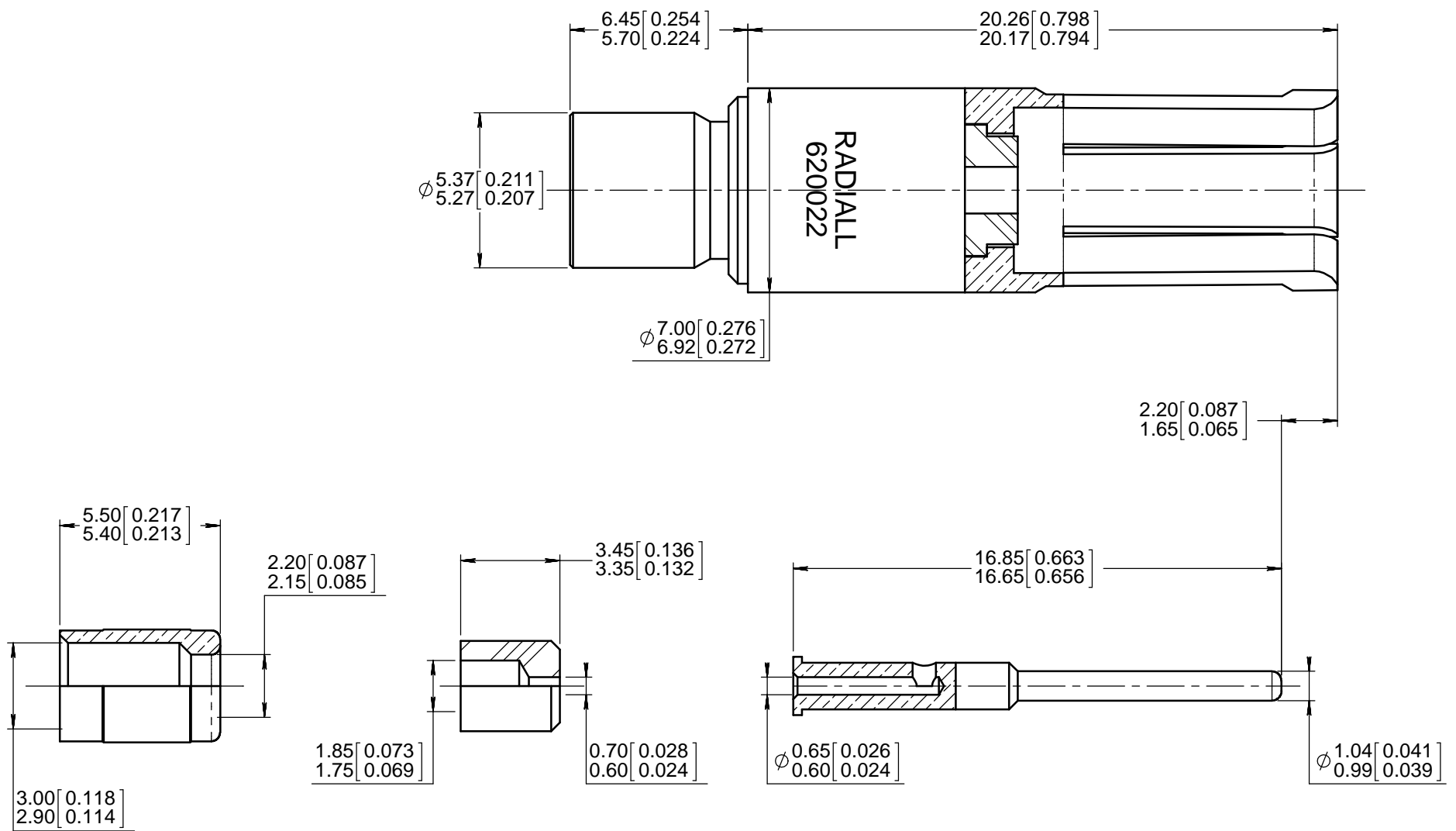


Series
NSX

SIZE 5 COAXIAL SOCKET CONTACT
FOR RG174, RG179 AND RG316 CABLE

Issue:
NOV. 25, 2013

Page
1/1



MATERIAL AND FINISH :

- OUTER CONTACT BODY : BERYLLIUM COPPER PER ASTM-B-196
- INSULATOR : PTFE PER ASTM-D-1710 OR EQUIVALENT
- FERRULE: BRASS PER ASTM B 453/B453 M
- CENTER CONTACT : BRASS PER ASTM B 453/B453 M

FINISH :

- OUTER CONTACT BODY, CENTER CONTACT AND FERRULE:
PLATING .00005 INCH OF GOLD PER MIL-G-45204 TYPE I OR II GRADE C OR D CLASS 1
OVER NICKEL QQ-N-290

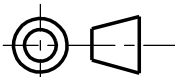
ELECTRICAL CHARACTERISTICS :

- TEMPERATURE RANGE : -65°C TO +165°C
- IMPEDANCE : 50 OHMS nominal
- RATED VOLTAGE : 325V RMS AT SEA LEVEL
- FREQUENCY RANGE : 0-1700 MHz
- VSWR : for 0-1500 MHz : 1-30:1
for 1500-1700 MHz : 1-50:1
- DWV : 750V RMS AT SEA LEVEL

NOTES:

- WIRING INSTRUCTIONS : MI CT 01 00002

DIMENSIONS : mm (inch are given for information only)



Estimated weight : 3.8 g

Confidential information not to be disclosed to third parties without Radiall approval. This information is given as an indication in the continual goal to improve our products, we reserve the right to make any modifications judged necessary.

4112_9311

CREATION				
PEN:				
NOM: FALETTI				
DATE: Nov. 27, 1984				
APPR.: CARTESSÉ				
	NOV. 25, 13	MODIFICATION: 20.30/20.15 => 20.26/20.17	ZUNIGA	DUPUIS
	Issue	Revisions	Name	Approved