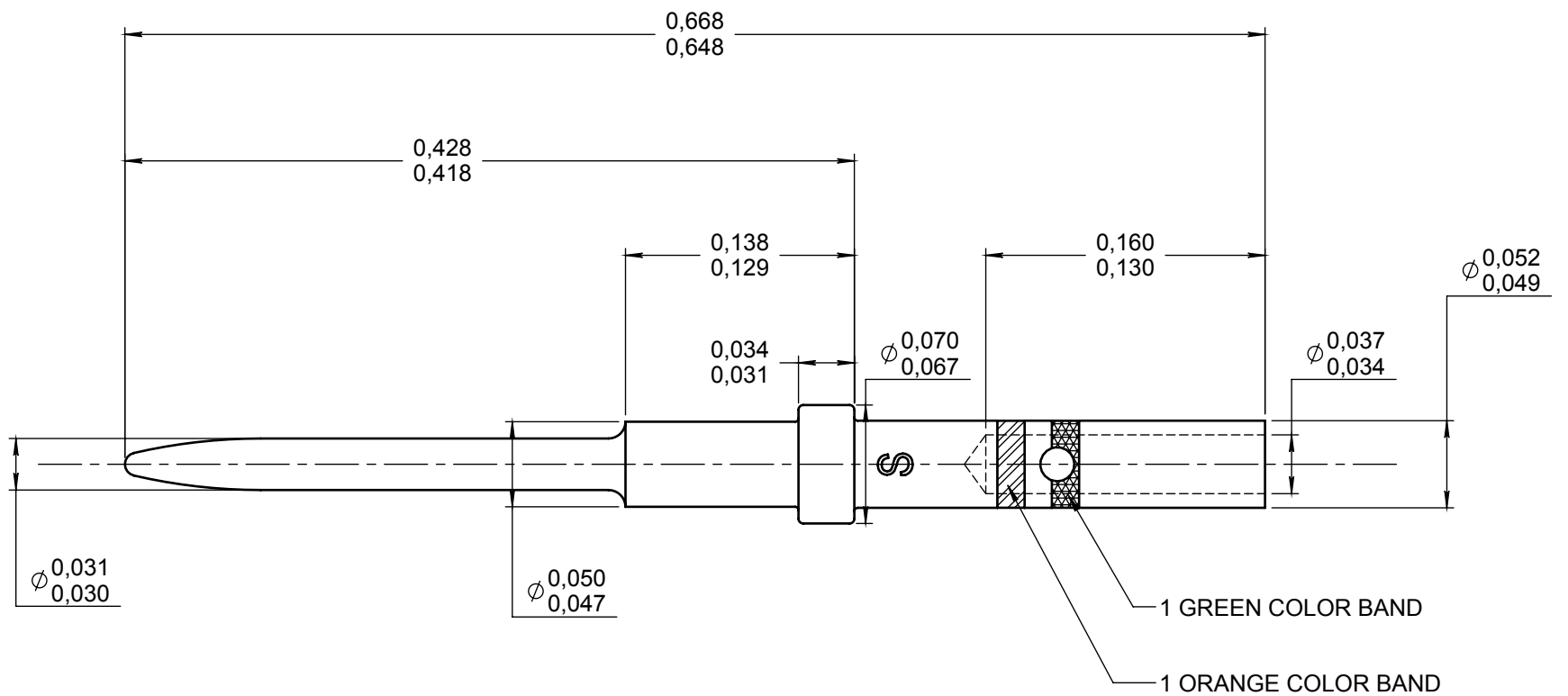


Series
NSX

SIZE 22 REAR RELEASE, REAR REMOVABLE CRIMP PIN CONTACT

Issue:
Nov. 07, 2014

Page
1/1

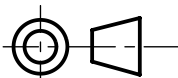


MATERIAL AND FINISH :
COPPER ALLOY - GOLD OVER NICKEL

WIRES ACCOMODATED : AWG 22-24-26
INSULATION DIAMETER : 0.054 MAX
STRIP LENGTH : 0.135

TOOLING :
CRIMPING TOOL : M22520/2-01 RADIALL 282 281
SELECTOR POSITION : 4 FOR AWG 22
3 FOR AWG 24
3 FOR AWG 26
POSITIONER : M22520/2-23 RADIALL 282 970
INSERTION AND EXTRACTION TOOL : M81969/1-01 (RADIALL 282 885) OR M81969/14-01 (RADIALL 282522)

DIMENSIONS : mm (inch are given for information only)



Estimated weight : 0.12 g

CREATION

PEN: /

NOM: FALETTI

DATE: April 22, 1983

APPR.: /

Issue	Revisions	Name	Approved
Nov. 07, 2014	Aded M81969/14-01 (RADIALL 282522)	Zuniga	Dupuis
Feb. 15, 2011	Added "REAR RELEASE, REAR REMOVABLE"	Moutault	Brochet
Apr. 10, 1996	Dimensions modified according to ARINC 600	Valgresy	.
Apr. 05, 1996	Redrawn	Valgresy	Baldyrou

620200EN

RADIALL PROPRIETARY INFORMATION