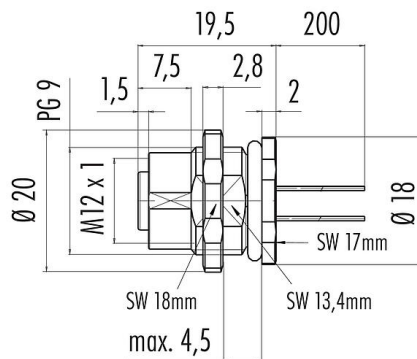


Product description	M12-A Female panel mount connector, Contacts: 4, unshielded, single wires, IP68/IP69K, UL, PG 9, front fastened
Area	M12-A series 763
Part no.	76 0532 1011 00004-0200

Illustration

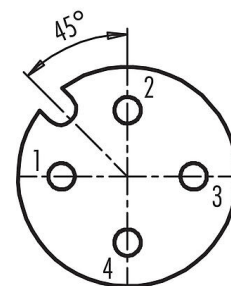


Scale drawing



Version with zinc diecasted housing

Contact arrangement (Plug-in side)



- 1 brown
- 2 white
- 3 blue
- 4 black

You can find the assembly instructions on the next page.

Technical data

General features

Part no.	76 0532 1011 00004-0200
	Alternative part no.: 09 3432 116 04
Notice	Please note that, due to the change from the old to the new order number, there may be deviations in the technical specifications. For questions about product details, please use the 'Contact Customer Service' form on the right.
Connector design	Female panel mount connector
Wire length	0.2 m
Version	Connector socket straight
Connector locking system	screw
Termination	single wires
Degree of protection	IP68/IP69K
Cross-sectional area	0.25 mm ² / AWG 24
Temperature range from/to	-40 °C / 85 °C
Mechanical operation	> 100 Mating cycles
Weight (g)	18.99
Customs tariff number	85369010

Electrical parameters

Rated voltage	250 V
Rated impulse voltage	2500 V
Rated current (40 °C)	4 A (3 A UL)
Insulation resistance	> 10 ⁸ Ω
Pollution degree	3

Product description **M12-A Female panel mount connector, Contacts: 4, unshielded, single wires, IP68/IP69K, UL, PG 9, front fastened**
 Area **M12-A series 763**
 Part no. **76 0532 1011 00004-0200**

Overvoltage category II
 Insulating material group III
 EMC compliance unshielded

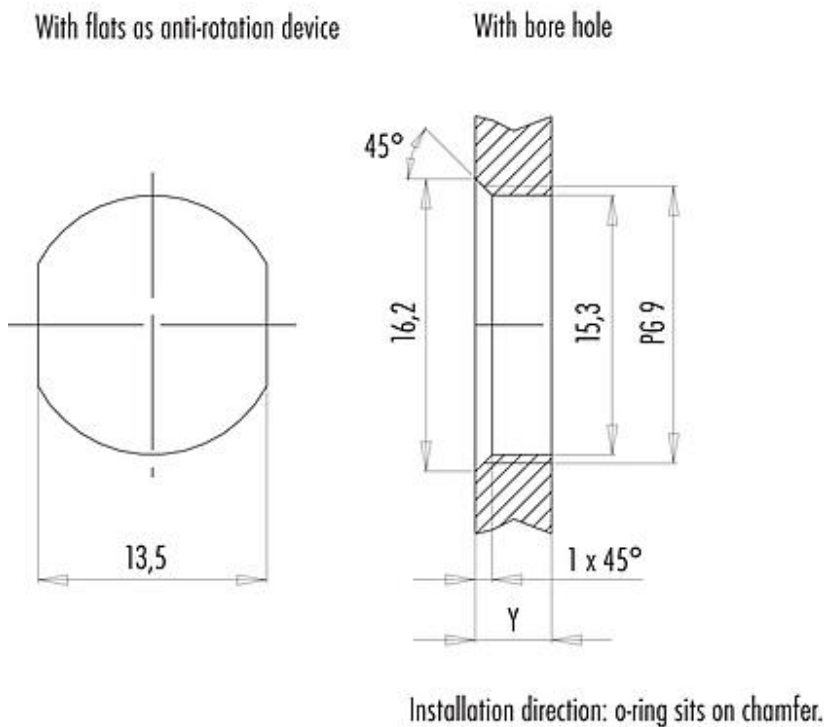
Material

Housing material Zinc die-cast nickel-plated
 Contact body material PA black
 Contact material CuSn (bronze)
 Contact plating Au (gold)
 REACH SVHC CAS 7439-92-1 (Lead)
 SCIP number f6ada5b0-bd87-431d-94cd-4cf996f2f9e4

Authorization/approvals

Approvals UL

Assembly instructions / Panel cut-out



Tightening moment
 Metall housing/Plastic housing 1,25 Nm

Thickness of wall Y (mm)		
Version	min (mm)	max (mm)
Fastened from rear	2	3,5
Front fastened	2	4,5
positioning possible ¹⁾	2	3,5
Screw clamp	2	3,5
Thread M12 x 1	2	3,0
Thread M14 x 1 ²⁾	³⁾ 1,5/ ⁴⁾ 2	6,5

Notes

- ¹⁾ Do not attach a chamfer
- ²⁾ Wall thickness:
use nut 38 5385 100 001 up to 1,5 mm,
>1,5 mm cut thread
- ³⁾ Nut
- ⁴⁾ Thread in wall of housing

Product description	M12-A Female panel mount connector, Contacts: 4, unshielded, single wires, IP68/IP69K, UL, PG 9, front fastened
Area	M12-A series 763
Part no.	76 0532 1011 00004-0200

General Disclaim Notice

The connector must not be plugged or unplugged under load. Non-observance and improper use can result in personal injury.

The connectors have been developed for applications in plant engineering, control and electrical equipment construction. The user is responsible for checking whether the connectors can also be used in other areas of application.

The user must take suitable safety precautions to ensure that the connector cannot be accidentally disconnected.

Plug connectors with enclosure protection IP67 and IP68 are not suitable for use under water. For further information on the IP protection classes, please refer to the "Technical Information" download centre.