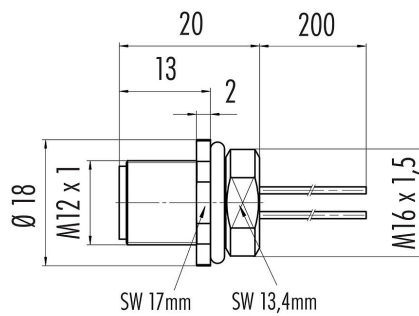


Product description	M12-A male panel mount connector, Contacts: 4, unshielded, single wires, IP68, UL, M16x1.5 VA
Area	M12-A series 763
Part no.	76 2231 0111 00004-0200

### Illustration

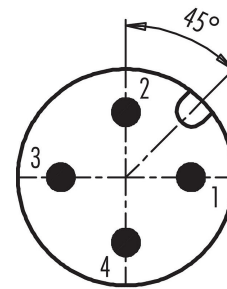


### Scale drawing



Stainless steel version

### Contact arrangement (Plug-in side)



- 1 brown
- 2 white
- 3 blue
- 4 black

You can find the assembly instructions on the next page.

## Technical data

### General features

Part no.	76 2231 0111 00004-0200 Alternative part no.: 09 3431 828 04
Notice	Please note that, due to the change from the old to the new order number, there may be deviations in the technical specifications. For questions about product details, please use the 'Contact Customer Service' form on the right.
Connector design	male panel mount connector
Wire length	0,2 m
Version	connector male straight
Connector locking system	screw
Termination	single wires
Degree of protection	IP68
Cross-sectional area	0.25 mm <sup>2</sup> / AWG 24
Temperature range from/to	-40 °C / 85 °C
Mechanical operation	> 100 Mating cycles
Weight (g)	13.80
Customs tariff number	85369010

### Electrical parameters

Rated voltage	250 V
Rated impulse voltage	2500 V
Rated current (40 °C)	4 A (3 A UL)

Product description	M12-A male panel mount connector, Contacts: 4, unshielded, single wires, IP68, UL, M16x1.5 VA
Area	M12-A series 763
Part no.	76 2231 0111 00004-0200

Insulation resistance	> 10 <sup>8</sup> Ω
Pollution degree	3
Overvoltage category	II
Insulating material group	III
EMC compliance	unshielded

### Material

Housing material	stainless steel
Contact body material	PA black
Contact material	CuZn (brass)
Contact plating	Au (gold)
Locking material	stainless steel
REACH SVHC	CAS 7439-92-1 (Lead)
SCIP number	bb386844-c0dd-4066-b368-0eee52e3ef7b

### Authorization/approvals

Approvals	UL
-----------	----

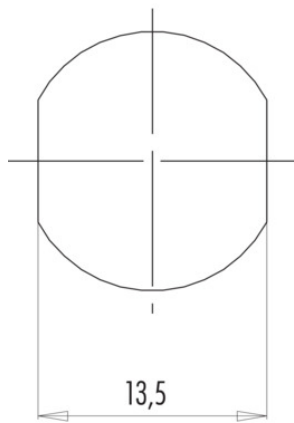
### Classifications

eCl@ss 11.1	27-44-01-03
ETIM 7.0	EC003570

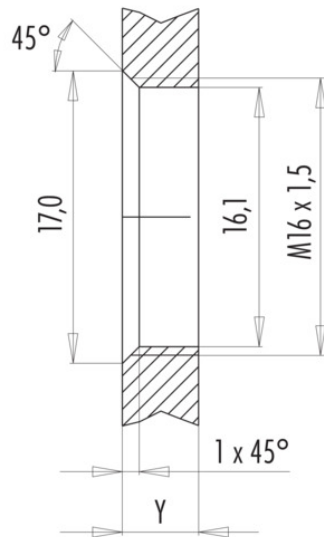
Product description      M12-A male panel mount connector, Contacts: 4, unshielded, single wires, IP68, UL, M16x1.5 VA  
Area                              M12-A series 763  
Part no.                         76 2231 0111 00004-0200

**Assembly instructions / Panel cut-out**

With flats as anti-rotation device



With bore hole



Installation direction: o-ring sits on chamfer.

**Tightening moment**

Metall housing/Plastic housing      1,25 Nm

Thickness of wall Y (mm)		
Version	min (mm)	max (mm)
Fastened from rear	2	3,5
Front fastened	2	4,5
positioning possible <sup>1)</sup>	2	3,5
Screw clamp	2	3,5
Thread M12 x 1	2	3,0
Thread M14 x 1 <sup>2)</sup>	<sup>3)</sup> 1,5/ <sup>4)</sup> 2	6,5

**Notes**

- <sup>1)</sup> Do not attach a chamfer
- <sup>2)</sup> Wall thickness:  
use locknut 01-5385 up to 1,5 mm,  
>1,5 mm cut thread
- <sup>3)</sup> Nut
- <sup>4)</sup> Thread in wall of housing

Product description	<b>M12-A male panel mount connector, Contacts: 4, unshielded, single wires, IP68, UL, M16x1.5 VA</b>
Area	<b>M12-A series 763</b>
Part no.	<b>76 2231 0111 00004-0200</b>

### **General Disclaim Notice**

The connector must not be plugged or unplugged under load. Non-observance and improper use can result in personal injury.

The connectors have been developed for applications in plant engineering, control and electrical equipment construction. The user is responsible for checking whether the connectors can also be used in other areas of application.

The user must take suitable safety precautions to ensure that the connector cannot be accidentally disconnected.

Plug connectors with enclosure protection IP 67 and IP 68 are not suitable for use under water. When used outdoors, the plug connectors must be protected separately against corrosion. For further information on the IP protection classes, please refer to the "Technical Information" download centre.