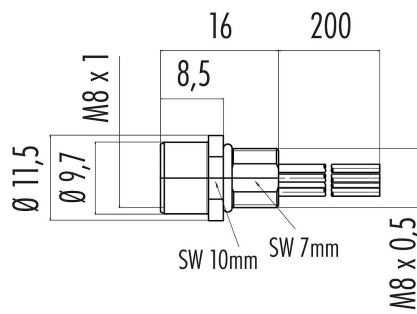


Product description	M8 female panel mount connector, Contacts: 4, unshielded, single wires, IP67 (snap), UL, M8x0.5
Area	M8 series 718
Part no.	76 6018 0111 00004-0200

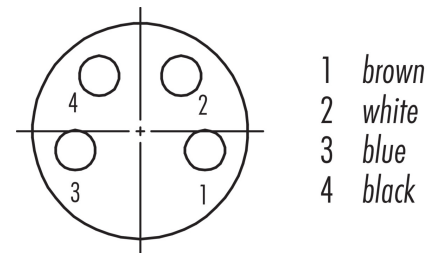
### Illustration



### Scale drawing



### Contact arrangement (Plug-in side)



You can find the assembly instructions on the next page.

### Technical data

#### General features

Part no.	<b>76 6018 0111 00004-0200</b>
	Alternative part no.: 09 3390 00 04
Notice	Please note that, due to the change from the old to the new order number, there may be deviations in the technical specifications. For questions about product details, please use the 'Contact Customer Service' form on the right.
Connector design	female panel mount connector
Wire length	0,2 m
Version	connector female straight
Connector locking system	snap, screw
Termination	single wires
Degree of protection	IP67 (snap) IP67 (screw)
Cross-sectional area	0.25 mm <sup>2</sup> / AWG 24
Temperature range from/to	-40 °C / 85 °C
Mechanical operation	> 100 Mating cycles
Weight (g)	7.58
Customs tariff number	85369010

#### Electrical parameters

Rated voltage	60 V
Rated impulse voltage	1500 V
Rated current (40 °C)	4,0 A
Pollution degree	3

# Product data sheet

## Automation technology - sensors and actuators



Product description	M8 female panel mount connector, Contacts: 4, unshielded, single wires, IP67 (snap), UL, M8x0.5
Area	M8 series 718
Part no.	76 6018 0111 00004-0200

Overvoltage category	II
Insulating material group	II
EMC compliance	unshielded

### Material

Housing material	CuZn (Brass nickel plated)
Contact body material	PA black
Contact material	CuSn (bronze)
Contact plating	Au (gold)
REACH SVHC	CAS 7439-92-1 (Lead)
SCIP number	94eb2669-1c54-4a82-996b-60d514563122

### Authorization/approvals

Approvals	UL
-----------	----

### Classifications

eCl@ss 11.1	27-44-01-03
ETIM 7.0	EC003570

### Assembly instructions / Panel cut-out

*1<sup>st</sup> Installation proposal*

*With flats as anti-rotation device*

*2<sup>nd</sup> Installation proposal*

*With bore hole*

*3<sup>rd</sup> Installation proposal*

*With thread to screw in*

thread E	A	B	C	D
M8 x 0,5	8,1	2,5	3,5	7,1
M8 x 1	8,1	2,5	3,5	7,1
M10 x 0,75	10,1	2,5	5,0	9,1

Tightening torque 1 Nm



Product description	<b>M8 female panel mount connector, Contacts: 4, unshielded, single wires, IP67 (snap), UL, M8x0.5</b>
Area	<b>M8 series 718</b>
Part no.	<b>76 6018 0111 00004-0200</b>

### **General Disclaim Notice**

The connectors have been developed for applications in plant engineering, control and electrical equipment construction. The user is responsible for checking whether the connectors can also be used in other areas of application.

Plug connectors with enclosure protection IP 67 and IP 68 are not suitable for use under water. When used outdoors, the plug connectors must be protected separately against corrosion. For further information on the IP protection classes, please refer to the "Technical Information" download centre.