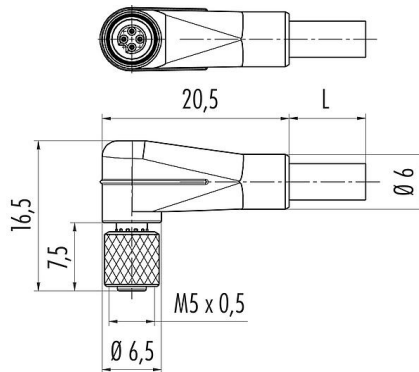


Product description	<b>M5 Female angled connector, Contacts: 4, unshielded, moulded on the cable, IP67, UL, M5x0.5, PUR, black, 4 x 0.14 mm<sup>2</sup>, 2 m</b>
-	-
Area	<b>M5 series 707</b>
Part no.	<b>77 3454 0000 40004-0200</b>

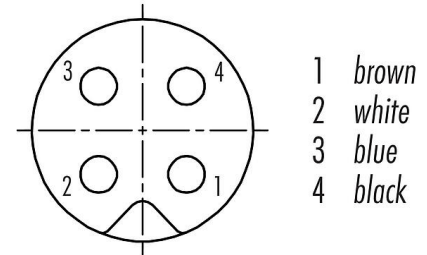
**Illustration**



**Scale drawing**



**Contact arrangement (Plug-in side)**



**Technical data**

**General features**

Part no.	<b>77 3454 0000 40004-0200</b>
	Alternative part no.: 79 3110 52 04
Notice	Please note that, due to the change from the old to the new order number, there may be deviations in the technical specifications. For questions about product details, please use the 'Contact Customer Service' form on the right.
Connector design	Female angled connector
Cable length	2 m
Version	Connector socket angled
Connector locking system	screw
Termination	moulded on the cable
Degree of protection	IP67
Cross-sectional area	0.14 mm <sup>2</sup> / AWG 26
Temperature range from/to	-25 °C / 80 °C
Mechanical operation	> 100 Mating cycles
Weight (g)	186
Customs tariff number	85444290

**Electrical parameters**

Rated voltage	60 V
Rated impulse voltage	800 V
Rated current (40 °C)	1.0 A
Insulation resistance	> 10 <sup>10</sup> Ω
Pollution degree	3
Overvoltage category	II
Insulating material group	I
EMC compliance	unshielded

# Product data sheet

## Automation technology - sensors and actuators



Product description	<b>M5 Female angled connector, Contacts: 4, unshielded, moulded on the cable, IP67, UL, M5x0.5, PUR, black, 4 x 0.14 mm<sup>2</sup>, 2 m</b>
-	-
Area	<b>M5 series 707</b>
Part no.	<b>77 3454 0000 40004-0200</b>

### Material

Housing material	PUR
Contact body material	PUR
Contact material	CuSn (bronze)
Contact plating	Au (gold)
Locking material	CuZn (brass)
REACH SVHC	CAS 7439-92-1 (Lead)
SCIP number	4e38f81d-452d-4f1d-8048-6389892753d6

### Authorization/approvals

Approvals	UL
-----------	----

### Classifications

eCl@ss 11.1	27-06-03-11
ETIM 7.0	EC001855

### Declarations of conformity

Low Voltage Directive	2014/35/EU (EN 60204-1:2018;EN 60529:1991)
RoHS Directive	2011/65/EU (EN 50581:2012)

### Cable data - Structure of the cable

Cable diameter	3.5 mm
Cross section	4 x 0.14 mm <sup>2</sup>
Sheath material	PUR
Single-lead insulation	PUR
Single-lead structure	18 x 0.10 mm
Cable color	black

### Cable data - Electrical properties

Conductor resistance	148 Ω/Km (20°C)
----------------------	-----------------

### Cable data - Mechanical properties

Bending radius, fixed cable	≥ 5 x Ø
Bending radius, moving cable	≥ 10 x Ø
Bending cycles	> 2 million
Permitted acceleration	5 m/s <sup>2</sup> + 1 m/s <sup>2</sup>
Travel distance, horizontal	5 m/s <sup>2</sup> -> 5 m
Travel distance, vertical	5 m/s <sup>2</sup> -> 5 m
Travel speed	at 5 m horizontal path -> 200 m/min

### Cable data - Thermal properties

Temperature range cable in move from/to	-5 °C / 80 °C
Temperature range cable fixed from/to	-25 °C / 80 °C

**Product data sheet**  
Automation technology - sensors and actuators



Product description	<b>M5 Female angled connector, Contacts: 4, unshielded, moulded on the cable, IP67, UL, M5x0.5, PUR, black, 4 x 0.14 mm<sup>2</sup>, 2 m</b>
-	-
Area	<b>M5 series 707</b>
Part no.	<b>77 3454 0000 40004-0200</b>

Cable data - Other features

Halogen free	yes
--------------	-----

Product description	<b>M5 Female angled connector, Contacts: 4, unshielded, moulded on the cable, IP67, UL, M5x0.5, PUR, black, 4 x 0.14 mm<sup>2</sup>, 2 m</b>
-	-
Area	<b>M5 series 707</b>
Part no.	<b>77 3454 0000 40004-0200</b>

### General Disclaim Notice

The connectors have been developed for applications in plant engineering, control and electrical equipment construction. The user is responsible for checking whether the connectors can also be used in other areas of application.

Plug connectors with enclosure protection IP67 and IP68 are not suitable for use under water. When used outdoors, the plug connectors must be protected separately against corrosion. For further information on the IP protection classes, please refer to the "Technical Information" download centre.

To lock the cable connector with the device connector, the threaded ring is tightened "hand-tight" (approx. 50 cNm).