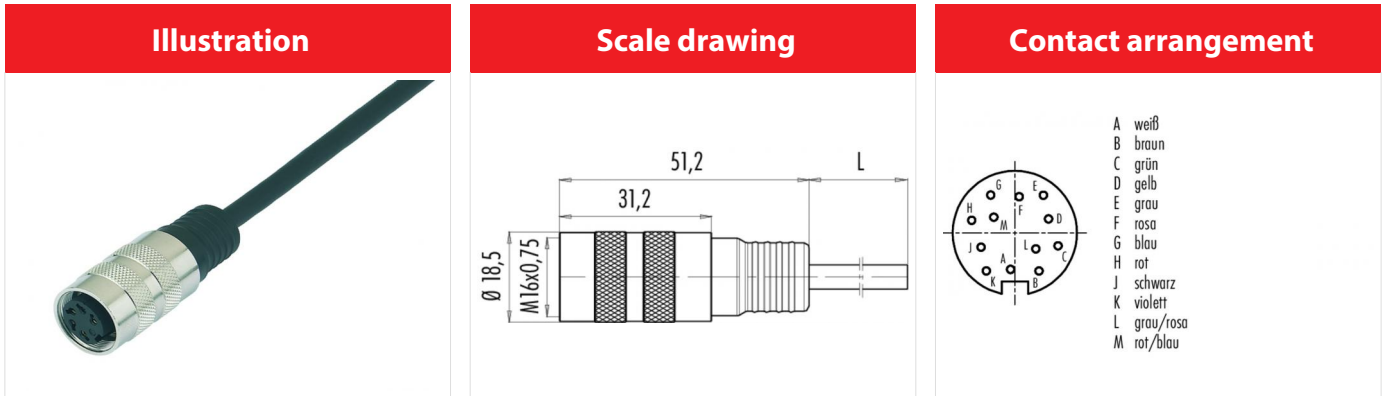


Product description	M16 IP67 female cable connector, Contacts: 12, shielded, moulded on cable, IP67, PUR black, 12 x 0.25 mm²
Area	M16 IP67 series 425
Order number	79 6130 20 12



Technical data

General values

Connector design	female cable connector
Connector locking system	screw
Termination	moulded on cable
Wire gauge (mm)	0.25 mm ²
Wire gauge (AWG)	24
Upper limit temperature	70 °C
Lower limit temperature	- 25 °C
Customs tariff number	85444290
Packaging Unit	30

Electrical values

Rated current (40 °C)	3 A
Rated voltage	60 V
Rated impulse voltage	500 V
Pollution degree	1
Overvoltage category	I
Insulating material group	III
Insulation resistance	≥ 10 ¹⁰ Ω
EMC compliance	shielded
Degree of protection	IP67
Mechanical operation	> 500 Mating cycles

Cable data

Cable length	2 m
Sheath material	PUR
Single-lead insulation	PE
Single-lead structure	14x0,15 mm mm
Cable diameter	7.8 mm
Bending radius, fixed cable	78 mm
Bending radius, moving cable	117 mm

Material

Contact material	CuSn (bronze)
Contact plating	Au (gold)
Contact body material	PBT (UL94 V-0)
Housing material	PUR

Product description	M16 IP67 female cable connector, Contacts: 12, shielded, moulded on cable, IP67, PUR black, 12 x 0.25 mm²
Area	M16 IP67 series 425
Order number	79 6130 20 12

Security notices

The connectors are designed for use in plant, control system and electrical equipment. The end user is responsible for checking whether the connectors are suitable for use in other applications.

Connectors with degree of protection IP 67 and IP 68 are not suitable for use under water. When used outdoors, the connectors must be separately protected against corrosion. For further information about IP degrees of protection refer to 'Technical support' in the Download Centre.

To lock the cable connector to the equipment connector, the threaded ring is tightened until it is 'finger-tight' (approx. 50 cNm).