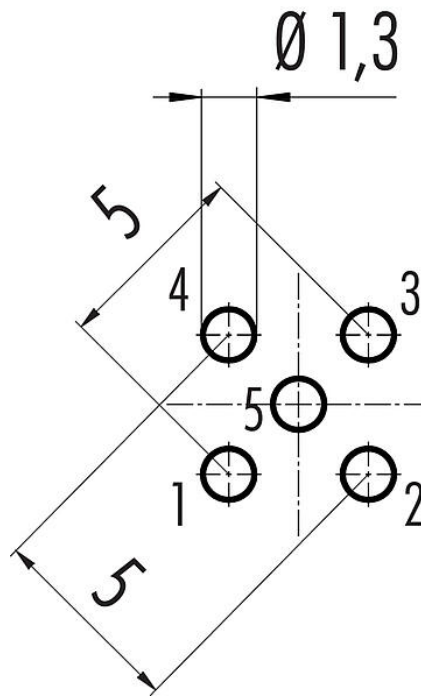


Product description	M12-A Male panel mount connector, Contacts: 5, unshielded, THT, IP68, UL, M12x1.0, front fastened
Area	M12-A series 763
Part no.	86 1031 1100 00005

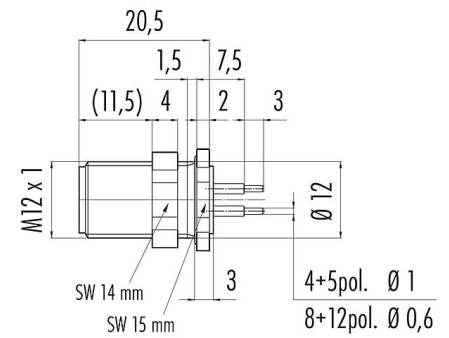
Illustration



Conductor layout

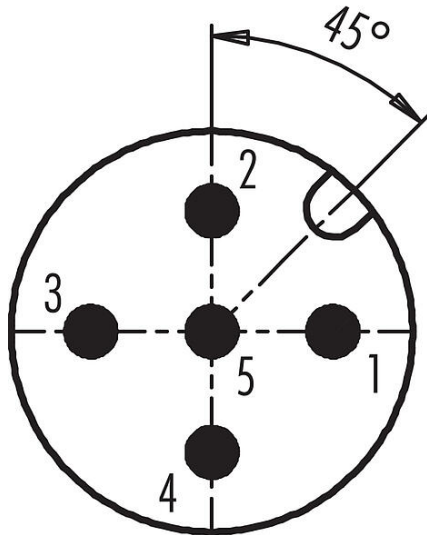


Scale drawing



Contact arrangement (Plug-in side)

Product description **M12-A Male panel mount connector, Contacts: 5, unshielded, THT, IP68, UL, M12x1.0, front fastened**
 Area **M12-A series 763**
 Part no. **86 1031 1100 00005**



You can find the assembly instructions on the next page.

Technical data

General features

Part no.	86 1031 1100 00005
	Alternative part no.: 09 3441 550 05
Notice	Please note that, due to the change from the old to the new order number, there may be deviations in the technical specifications. For questions about product details, please use the 'Contact Customer Service' form on the right.
Connector design	Male panel mount connector
Version	Connector pin straight
Connector locking system	screw
Termination	THT
Degree of protection	IP68
Temperature range from/to	-40 °C / 85 °C
Mechanical operation	> 100 Mating cycles
Weight (g)	10.21
Customs tariff number	85369010

Electrical parameters

Rated voltage	60 V
Rated impulse voltage	1500 V
Rated current (40 °C)	4 A (3 A UL)
Insulation resistance	> 10 ⁸ Ω
Pollution degree	3
Overvoltage category	II

Product description	M12-A Male panel mount connector, Contacts: 5, unshielded, THT, IP68, UL, M12x1.0, front fastened
Area	M12-A series 763
Part no.	86 1031 1100 00005

Insulating material group	III
EMC compliance	unshielded

Material

Housing material	Zinc die-cast nickel-plated
Contact body material	PA black
Contact material	CuZn (brass)
Contact plating	Au (gold)
REACH SVHC	CAS 7439-92-1 (Lead)
SCIP number	SCIP-number not available

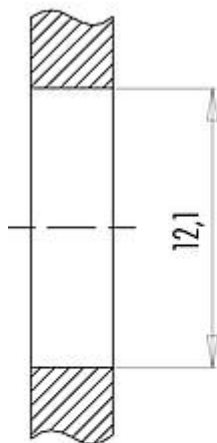
Authorization/approvals

Approvals	UL
-----------	----

Assembly instructions / Panel cut-out

Tightening moment

Metall housing/Plastic housing 1 Nm



Thickness of wall Y (mm)		
Version	min (mm)	max (mm)
Fastened from rear	2	3,5
Front fastened	2	4,5
positioning possible ¹⁾	2	3,5
Screw clamp	2	3,5
Thread M12 x 1	1,5	4,3
Thread M14 x 1 ²⁾	³⁾ 1,5/ ⁴⁾ 2	6,5

Notes

- 1) Do not attach a chamfer
- 2) Wall thickness:
use locknut 01-5385 up to 1,5 mm,
>1,5 mm cut thread
- 3) Nut
- 4) Thread in wall of housing

Product description	M12-A Male panel mount connector, Contacts: 5, unshielded, THT, IP68, UL, M12x1.0, front fastened
Area	M12-A series 763
Part no.	86 1031 1100 00005

General Disclaim Notice

The connector must not be plugged or unplugged under load. Non-observance and improper use can result in personal injury.

The connectors have been developed for applications in plant engineering, control and electrical equipment construction. The user is responsible for checking whether the connectors can also be used in other areas of application.

The user must take suitable safety precautions to ensure that the connector cannot be accidentally disconnected.

Plug connectors with enclosure protection IP67 and IP68 are not suitable for use under water. For further information on the IP protection classes, please refer to the "Technical Information" download centre.