

# Product data sheet

## Miniature connectors

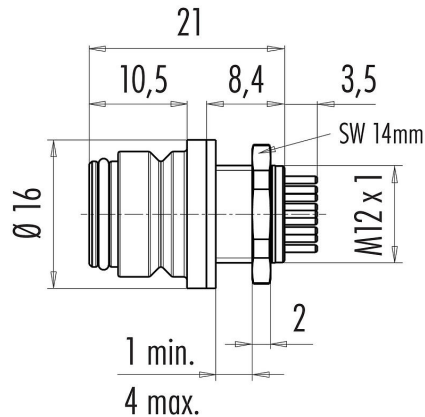


Product description	Snap-In IP67 female panel mount connector, Contacts: 5, unshielded, solder, IP67, VDE
Area	Snap-In IP67 series 720
Order number	99 9116 00 05

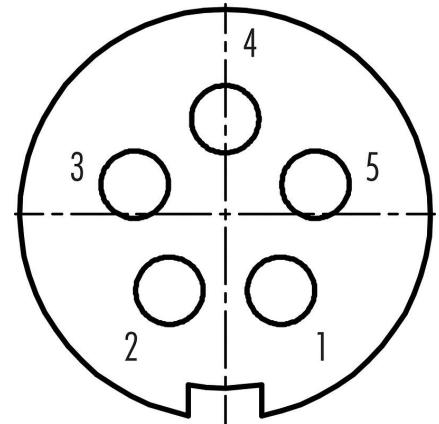
### Illustration



### Scale drawing



### Contact arrangement (Plug-in side)



You can find the component part drawing and assembly instructions on the next page.

### Technical data

#### General features

Order number	99 9116 00 05
Connector design	female panel mount connector
Version	connector female straight
Connector locking system	snap
Termination	solder
Degree of protection	IP67
Cross-sectional area	max. 0.75 mm <sup>2</sup> / max. AWG 18
Temperature range from/to	-25 °C / 85 °C
Mechanical operation	> 500 Mating cycles
Weight (g)	6.307
Customs tariff number	85369010

#### Electrical parameters

Rated voltage	125 V
Rated impulse voltage	1500 V
Rated current (40 °C)	5 A
Insulation resistance	≥ 10 <sup>10</sup> Ω
Pollution degree	2
Overvoltage category	II
Insulating material group	II
EMC compliance	unshielded



# Product data sheet

## Miniature connectors

Product description	Snap-In IP67 female panel mount connector, Contacts: 5, unshielded, solder, IP67, VDE
Area	Snap-In IP67 series 720
Order number	99 9116 00 05

### Material

Housing material	PA
Contact body material	PA (UL94 V-0) black
Contact material	CuSn (bronze)
Contact plating	Au (gold)
REACH SVHC	CAS 7439-92-1 (Lead)
SCIP number	9f3562ee-4408-4185-adf2-2183f63cad9

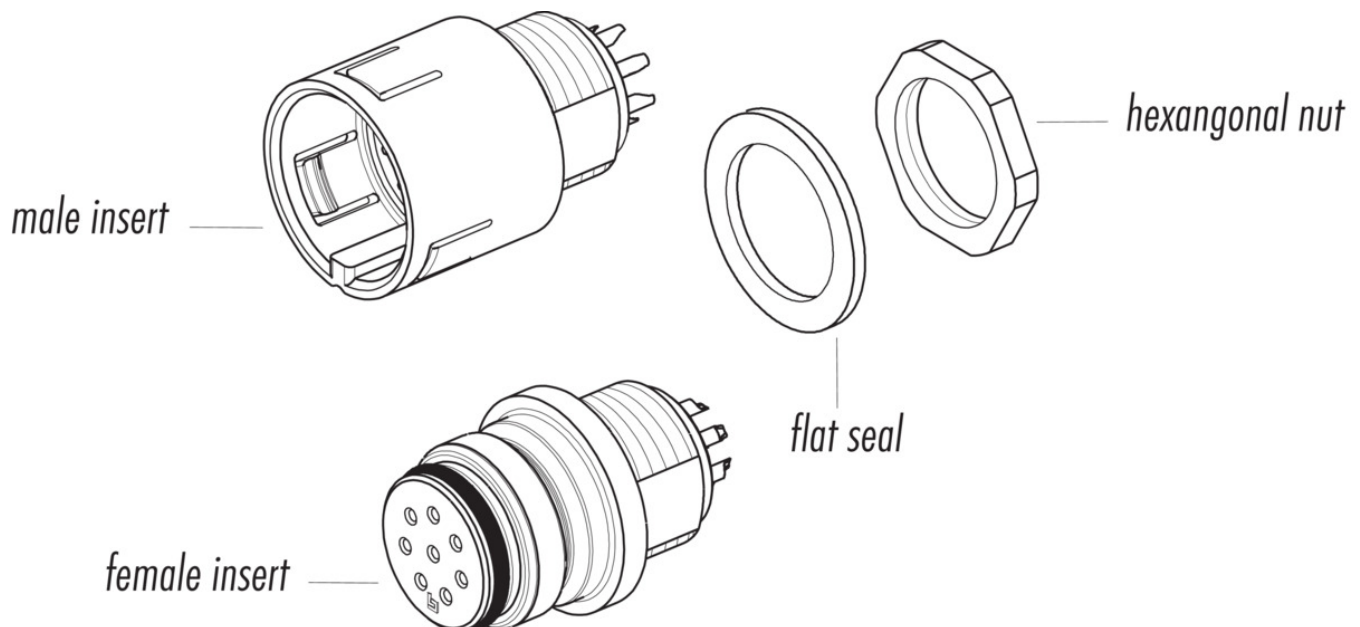
### Authorization/approvals

Approvals	VDE
-----------	-----

### Classifications

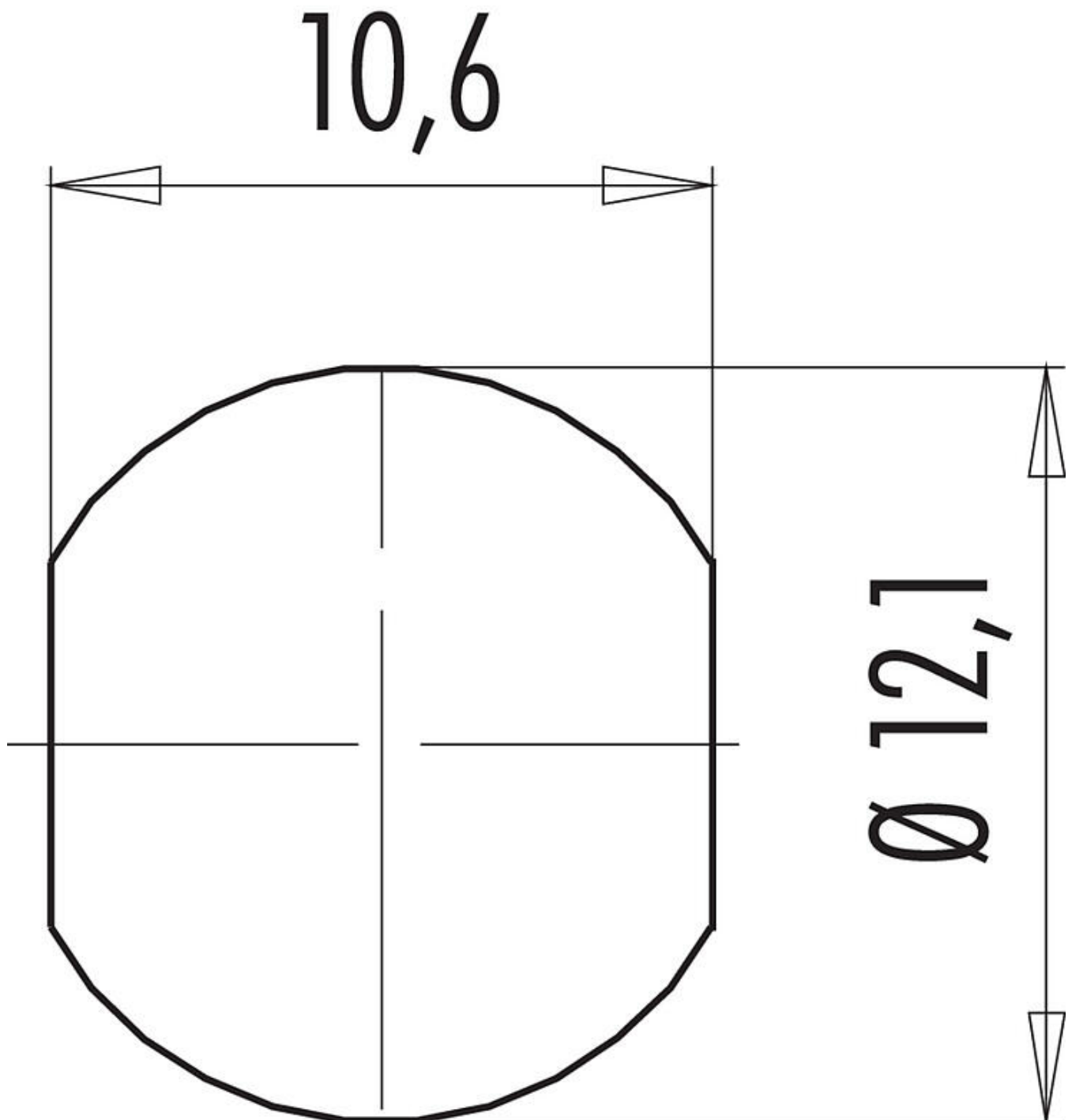
eCl@ss 11.1	27-44-01-02
ETIM 7.0	EC002635

### Component part drawing



Product description	Snap-In IP67 female panel mount connector, Contacts: 5, unshielded, solder, IP67, VDE
Area	Snap-In IP67 series 720
Order number	99 9116 00 05

Assembly instructions / Panel cut-out



# Product data sheet

## Miniature connectors



Product description	Snap-In IP67 female panel mount connector, Contacts: 5, unshielded, solder, IP67, VDE
Area	Snap-In IP67 series 720
Order number	99 9116 00 05

### Security notices

The connector must not be plugged or unplugged under load. Non-observance and improper use can result in personal injury.

The connectors have been developed for applications in plant engineering, control and electrical equipment construction. The user is responsible for checking whether the connectors can also be used in other areas of application.

Plug connectors with enclosure protection IP 67 and IP 68 are not suitable for use under water. When used outdoors, the plug connectors must be protected separately against corrosion. For further information on the IP protection classes, please refer to the "Technical Information" download centre.

