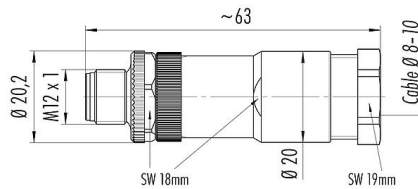


Product description	M12-A Male cable connector, Contacts: 5, 8.0-10.0 mm, unshielded, screw clamp, IP67, UL, VDE, for the power supply
Area	M12-A series 713
Part no.	99 0437 19 05

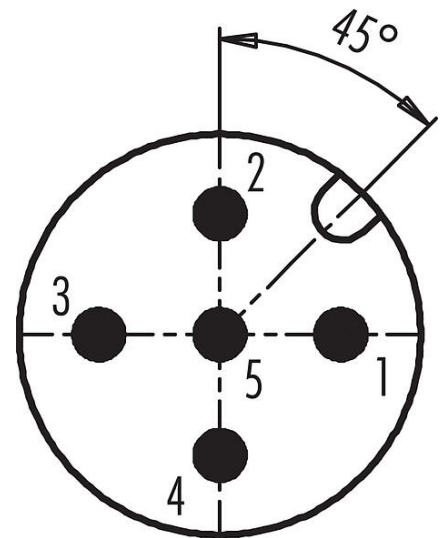
Illustration



Scale drawing



Contact arrangement (Plug-in side)



You can find the assembly instructions on the next page.

Technical data

General features

Part no.	99 0437 19 05
Connector design	Male cable connector
Version	Connector pin straight
Connector locking system	screw
Termination	screw clamp
Degree of protection	IP67
Cross-sectional area	max. 1.50 mm ² / AWG 16
Cable outlet	8.0-10.0 mm
Temperature range from/to	-40 °C / 85 °C
Mechanical operation	> 100 Mating cycles
Weight (g)	23.91
Customs tariff number	85369010

Electrical parameters

Rated voltage	60 V
Rated impulse voltage	1500 V
Rated current (40 °C)	contacts 1-4: 8 A / Contact 5: 2 A
Insulation resistance	> 10 ⁸ Ω
Pollution degree	3

Product data sheet

Automation technology - sensors and actuators



Product description **M12-A Male cable connector, Contacts: 5, 8.0-10.0 mm, unshielded, screw clamp, IP67, UL, VDE, for the power supply**

Area **M12-A series 713**

Part no. **99 0437 19 05**

Overvoltage category II

Insulating material group III

EMC compliance unshielded

Material

Housing material PA

Contact body material PA

Contact material CuZn (brass)

Contact plating Au (gold)

Locking material Zinc die-cast nickel-plated

REACH SVHC CAS 7439-92-1 (Lead)

SCIP number 91bc7340-0eae-4d94-b35e-25828ef64fad

Authorization/approvals

Approvals UL, VDE

Classifications

eCl@ss 11.1 27-44-01-02

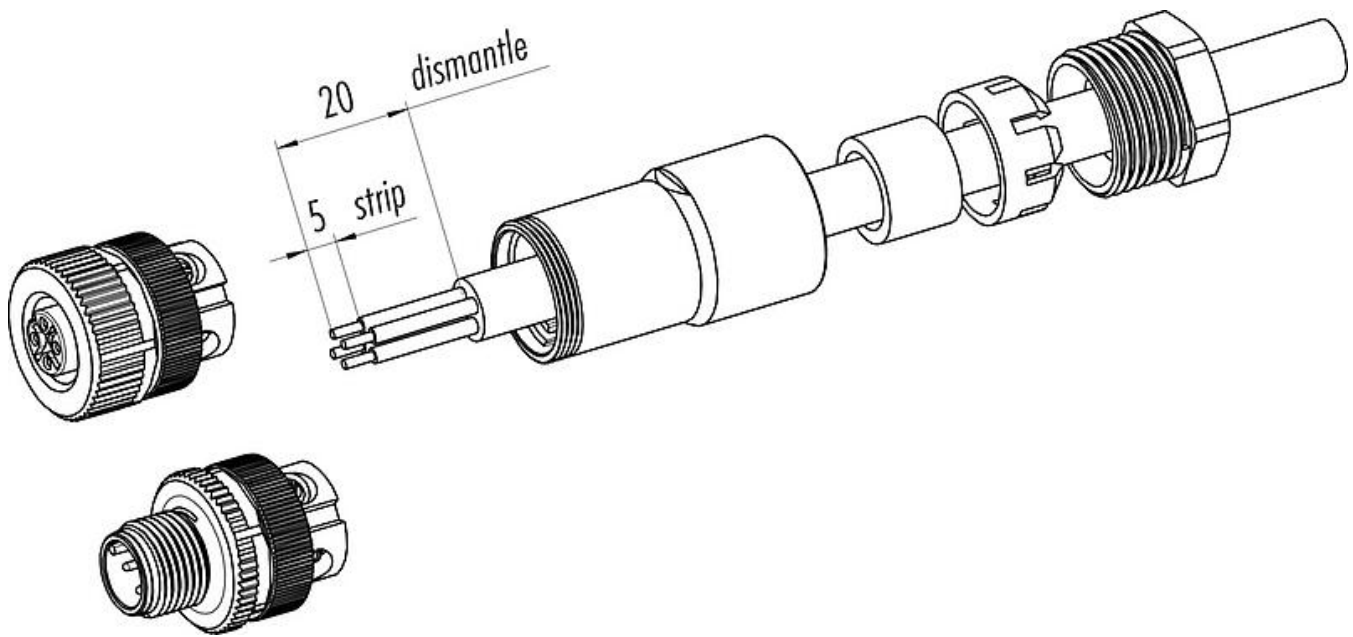
ETIM 7.0 EC002635

Declarations of conformity

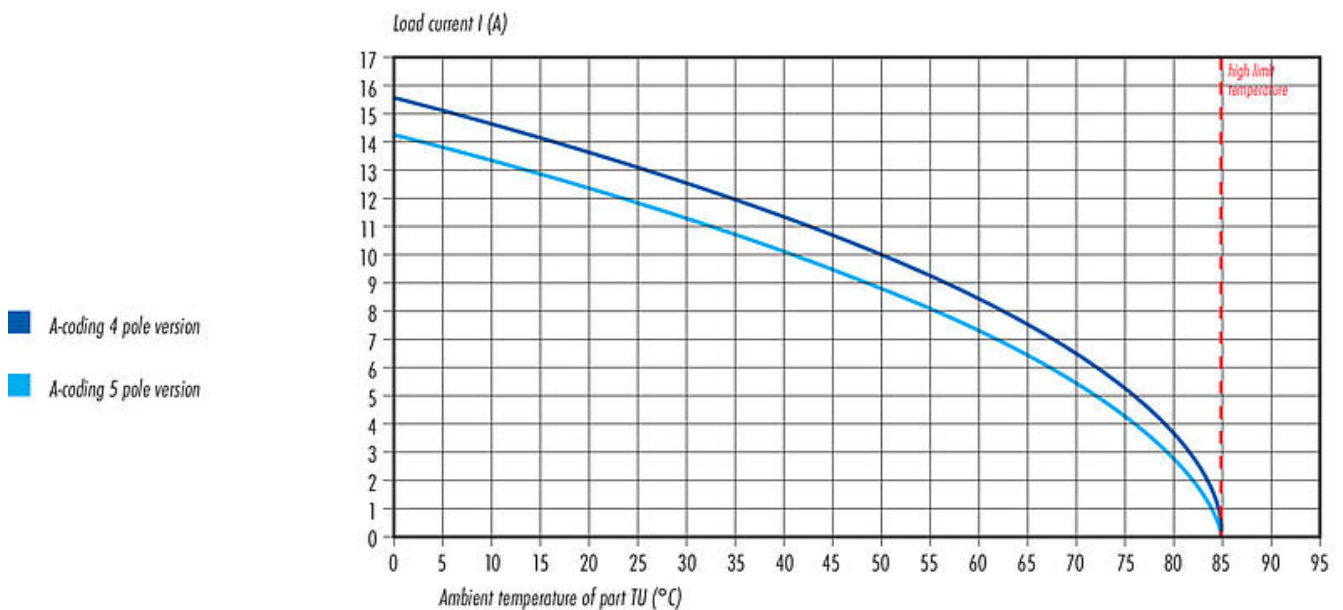
Low Voltage Directive 2014/35/EU (EN 60204-1:2018;EN 60529:1991)

Product description	M12-A Male cable connector, Contacts: 5, 8.0-10.0 mm, unshielded, screw clamp, IP67, UL, VDE, for the power supply
Area	M12-A series 713
Part no.	99 0437 19 05

Assembly instructions



Derating curve



Product description	M12-A Male cable connector, Contacts: 5, 8.0-10.0 mm, unshielded, screw clamp, IP67, UL, VDE, for the power supply
Area	M12-A series 713
Part no.	99 0437 19 05

General Disclaim Notice

The connector must not be plugged or unplugged under load. Non-observance and improper use can result in personal injury.

The connectors have been developed for applications in plant engineering, control and electrical equipment construction. The user is responsible for checking whether the connectors can also be used in other areas of application.

To protect against unintentional opening of the connector, the thread between the housing and the connector head must be secured with a suitable cyanoacrylate adhesive when used in circuits with voltages dangerous to the touch. This does not apply to connectors used in SELV and PELV circuits according to IEC 61140 (EN 61140, VDE 0140-1).

Connectors which are used in circuits with voltages dangerous to the touch may only be installed and used by, or under the supervision of, persons with electrical engineering training, taking into account the applicable regulations and standards.

Plug connectors with enclosure protection IP67 and IP68 are not suitable for use under water. When used outdoors, the plug connectors must be protected separately against corrosion. For further information on the IP protection classes, please refer to the "Technical Information" download centre.

To lock the cable connector with the device connector, the threaded ring is tightened "hand-tight" (approx. 60 cNm).