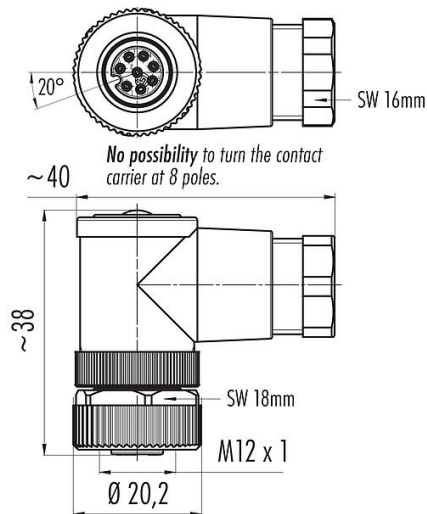


Product description	<b>M12-A Female angled connector, Contacts: 8, 6.0-8.0 mm, unshielded, screw clamp, IP67</b>
Area	<b>M12-A series 713</b>
Part no.	<b>99 0486 52 08</b>

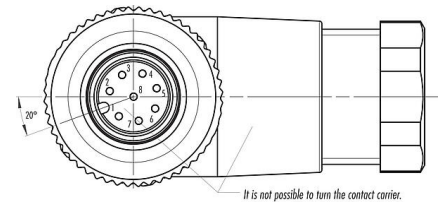
### Illustration



### Scale drawing



### Contact arrangement (Plug-in side)



You can find the component part drawing and assembly instructions on the next page.

## Technical data

### General features

Part no.	<b>99 0486 52 08</b>
Connector design	Female angled connector
Version	Connector socket angled
Connector locking system	screw
Termination	screw clamp
Degree of protection	IP67
Cross-sectional area	max. 0.50 mm <sup>2</sup> / AWG 20
Cable outlet	6.0-8.0 mm
Twistability	not rotatable
Temperature range from/to	-40 °C / 85 °C
Mechanical operation	> 100 Mating cycles
Weight (g)	28.09
Customs tariff number	85369010

### Electrical parameters

Rated voltage	30 V
Rated impulse voltage	800 V
Rated current (40 °C)	1.5 A (2 A UL)
Insulation resistance	> 10 <sup>9</sup> Ω
Pollution degree	3
Overvoltage category	II

Product description	<b>M12-A Female angled connector, Contacts: 8, 6.0-8.0 mm, unshielded, screw clamp, IP67</b>
-	-
Area	<b>M12-A series 713</b>
Part no.	<b>99 0486 52 08</b>

Insulating material group	III
EMC compliance	unshielded

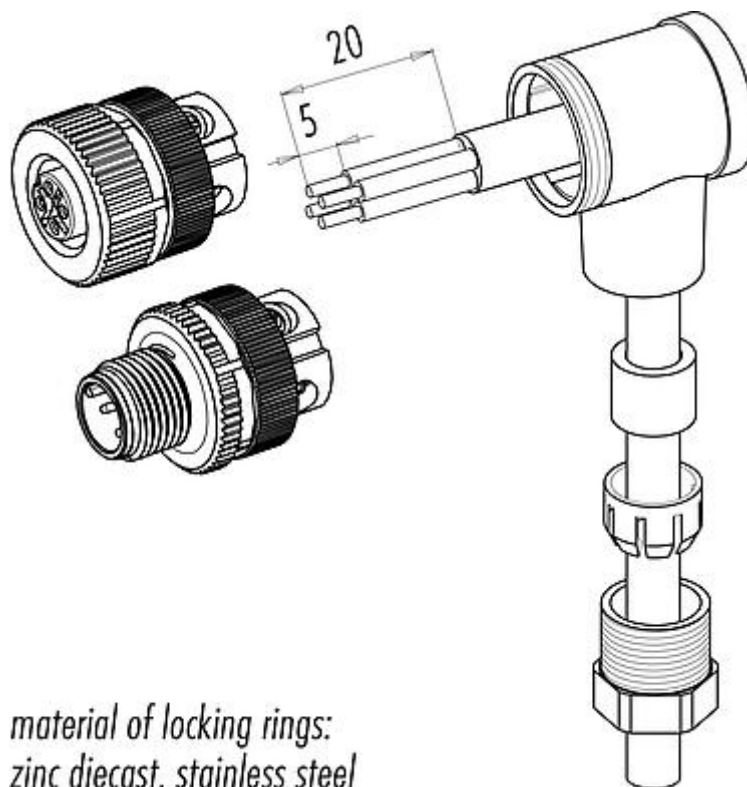
### Material

Housing material	PA
Contact body material	PBT (UL94 V-0)
Contact material	CuSn (bronze)
Contact plating	Au (gold)
Locking material	Zinc die-cast nickel-plated
REACH SVHC	CAS 96-45-7 (Imidazolidine-2-thione) CAS 7439-92-1 (Lead)
SCIP number	27a745f9-f160-4317-842b-9fabf5c5324c

### Classifications

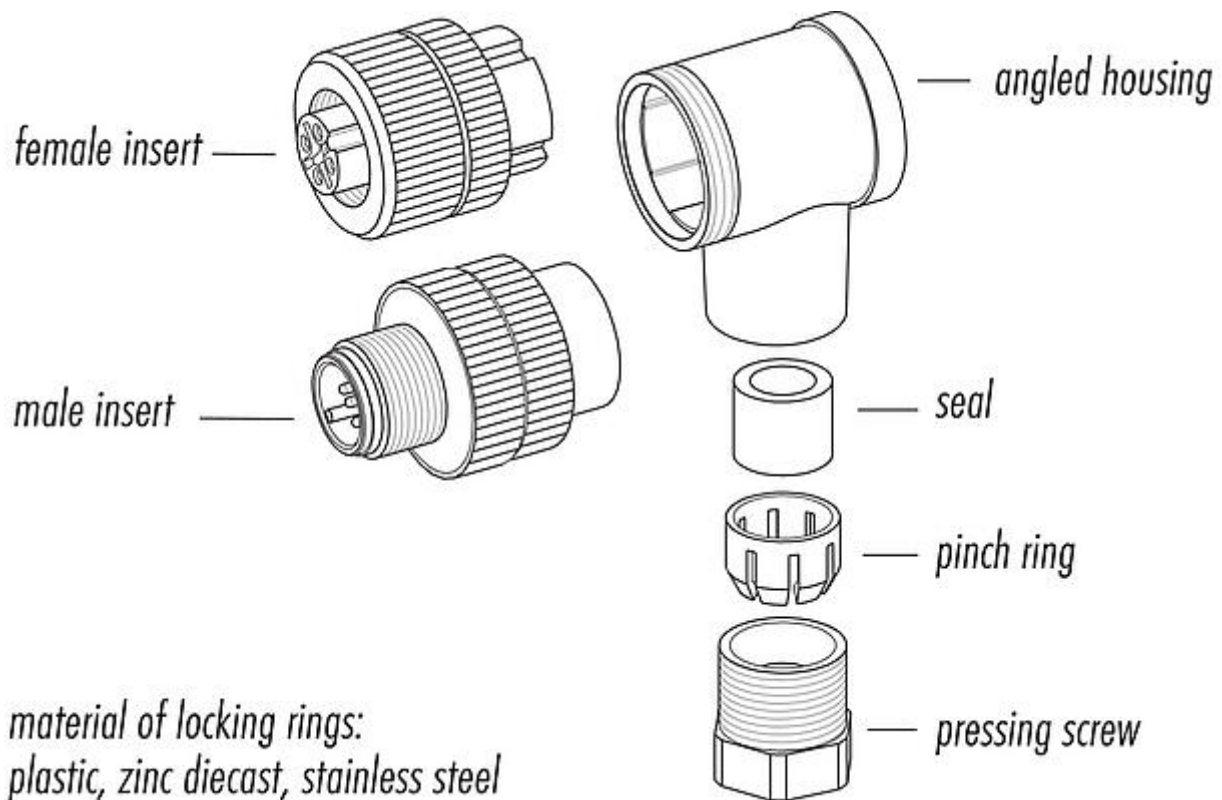
eCl@ss 11.1	27-44-01-02
ETIM 7.0	EC002635

### Assembly instructions



Product description	M12-A Female angled connector, Contacts: 8, 6.0-8.0 mm, unshielded, screw clamp, IP67
Area	M12-A series 713
Part no.	99 0486 52 08

Component part drawing



Product description	<b>M12-A Female angled connector, Contacts: 8, 6.0-8.0 mm, unshielded, screw clamp, IP67</b>
-	-
Area	<b>M12-A series 713</b>
Part no.	<b>99 0486 52 08</b>

### **General Disclaim Notice**

The connectors have been developed for applications in plant engineering, control and electrical equipment construction. The user is responsible for checking whether the connectors can also be used in other areas of application.

Plug connectors with enclosure protection IP67 and IP68 are not suitable for use under water. When used outdoors, the plug connectors must be protected separately against corrosion. For further information on the IP protection classes, please refer to the "Technical Information" download centre.

To lock the cable connector with the device connector, the threaded ring is tightened "hand-tight" (approx. 60 cNm).