

# Product data sheet

## Power connectors

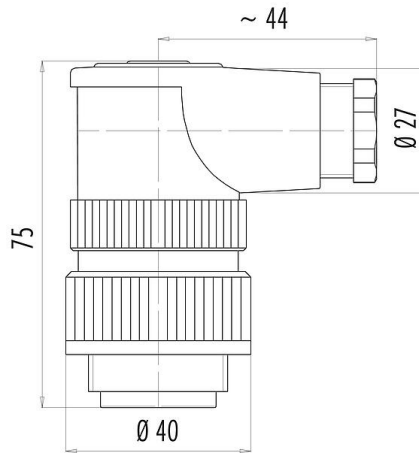


Product description	<b>RD30 Male angled connector, Contacts: 4+PE, 10.0-12.0 mm, unshielded, screw clamp, IP65, ESTI+, VDE</b>
Area	<b>RD30 series 694</b>
Part no.	<b>99 0709 70 05</b>

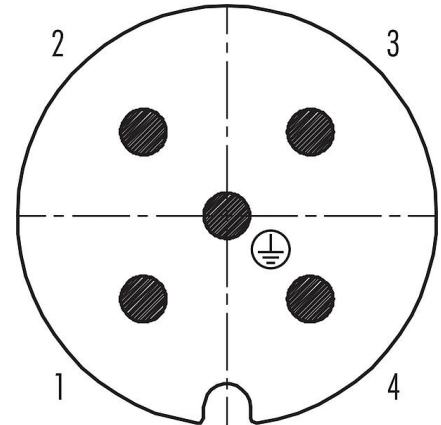
### Illustration



### Scale drawing



### Contact arrangement (Plug-in side)



You can find the assembly instructions on the next page.

### Technical data

#### General features

Part no.	<b>99 0709 70 05</b>
Connector design	Male angled connector
Version	Connector pin angled
Connector locking system	screw
Termination	screw clamp
Degree of protection	IP65
Cross-sectional area	2.50 mm <sup>2</sup> / AWG 14
Cable outlet	10.0-12.0 mm
Twistability	45° (8 coding options)
Temperature range from/to	-40 °C / 100 °C
Mechanical operation	> 500 Mating cycles
Weight (g)	85.66
Customs tariff number	85369010

#### Electrical parameters

Rated voltage	400 V
Rated impulse voltage	6000 V
Rated current (40 °C)	20.0 A
Insulation resistance	≥ 10 <sup>10</sup> Ω
Pollution degree	3
Overvoltage category	III
Insulating material group	III
EMC compliance	unshielded



# Product data sheet

## Power connectors

Product description	<b>RD30 Male angled connector, Contacts: 4+PE, 10.0-12.0 mm, unshielded, screw clamp, IP65, ESTI+, VDE</b>
Area	<b>RD30 series 694</b>
Part no.	<b>99 0709 70 05</b>

### Material

Housing material	PA
Contact body material	PA (UL94 HB)
Contact material	CuZn (brass)
Contact plating	Ag (silver)
REACH SVHC	CAS 7439-92-1 (Lead)
SCIP number	52e5ebf1-75f3-4337-b2e5-ceb13906729f

### Authorization/approvals

Approvals	ESTI+, VDE
-----------	------------

### Classifications

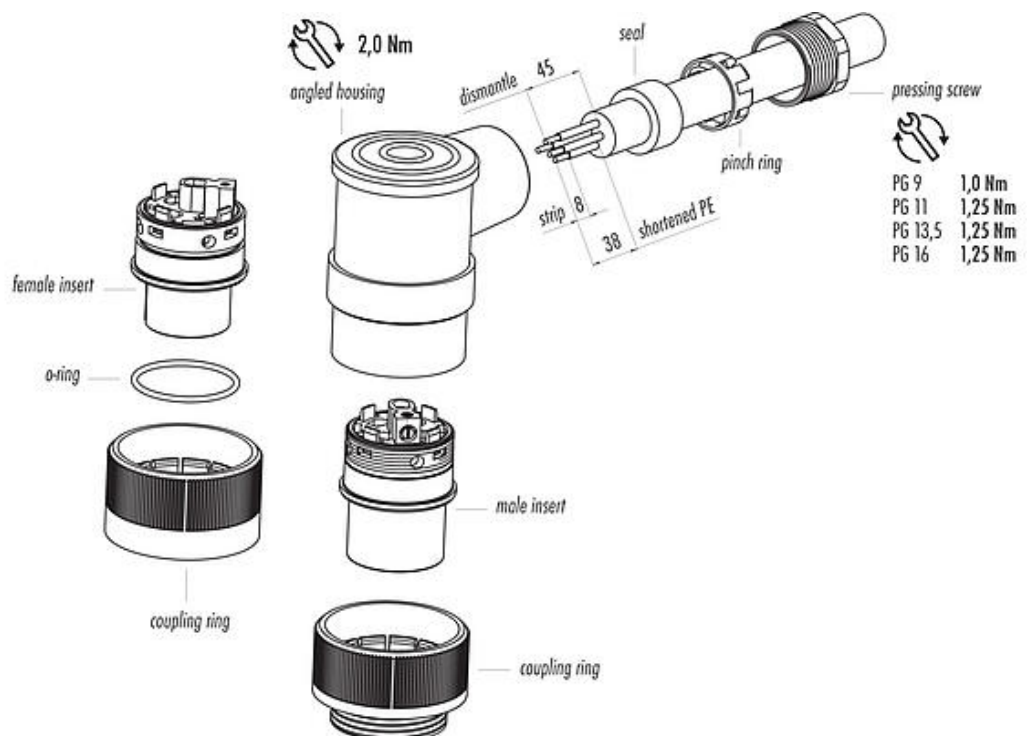
eCl@ss 11.1	27-44-01-02
ETIM 7.0	EC002635

### Declarations of conformity

Low Voltage Directive	2014/35/EU (EN 60204-1:2018;EN 60529:1991)
-----------------------	--

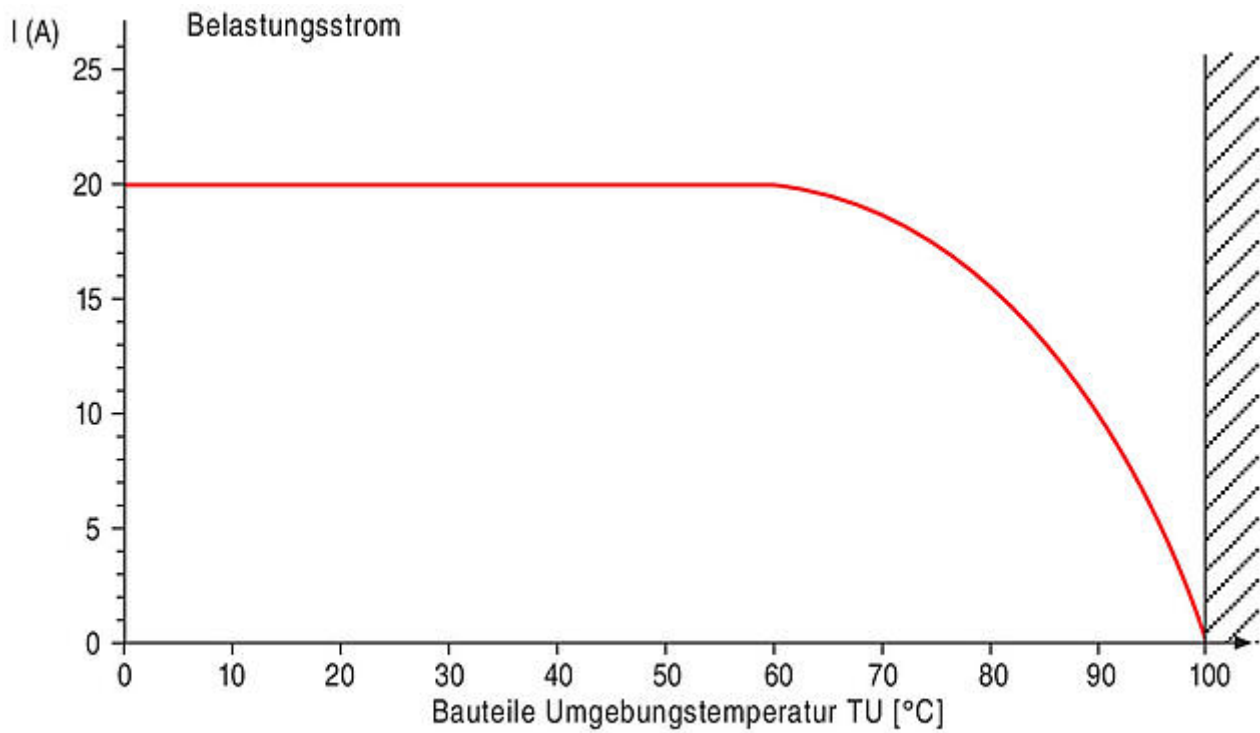
### Assembly instructions

1. Unscrew the clamping screws until the holes for single wires are completely free.
2. Bead parts of the cable clamp and coupling sleeve onto the cable.
3. Dismantle cable.
4. Strip, twist and screw on single wires.
5. Only female insert: mount o-ring.
6. Snap on the threaded ring.
7. Screw on the sleeve.
8. Tighten pressing screw.



Product description	<b>RD30 Male angled connector, Contacts: 4+PE, 10.0-12.0 mm, unshielded, screw clamp, IP65, ESTI+, VDE</b>
Area	<b>RD30 series 694</b>
Part no.	<b>99 0709 70 05</b>

### Derating curve



Product description	<b>RD30 Male angled connector, Contacts: 4+PE, 10.0-12.0 mm, unshielded, screw clamp, IP65, ESTI+, VDE</b>
Area	<b>RD30 series 694</b>
Part no.	<b>99 0709 70 05</b>

## General Disclaim Notice

The connector must not be plugged or unplugged under load. Non-observance and improper use can result in personal injury.

The connectors have been developed for applications in plant engineering, control and electrical equipment construction. The user is responsible for checking whether the connectors can also be used in other areas of application.

To protect against unintentional opening of the connector, the thread between the housing and the connector head must be secured with a suitable cyanoacrylate adhesive when used in circuits with voltages dangerous to the touch. This does not apply to connectors used in SELV and PELV circuits according to IEC 61140 (EN 61140, VDE 0140-1).

Connectors which are used in circuits with voltages dangerous to the touch may only be installed and used by, or under the supervision of, persons with electrical engineering training, taking into account the applicable regulations and standards.

The user must take suitable safety precautions to ensure that the connector cannot be accidentally disconnected.

Plug connectors with enclosure protection IP67 and IP68 are not suitable for use under water. When used outdoors, the plug connectors must be protected separately against corrosion. For further information on the IP protection classes, please refer to the "Technical Information" download centre.

To lock the cable connector with the device connector, the threaded ring is tightened "hand-tight" (approx. 50 cNm).